



No.:

Date: 31-DEC-2012

Customer :

TECHNICAL PROPOSAL

Three-phase induction motor - Squirrel cage rotor

Product line : Cooling Tower Motors : NEMA Premium

Catalog Number : 06012ET3ECT404T

List Price : \$11,861

Notes:

Performed by:

Checked:



No.:

Date: 31-DEC-2012

DATA SHEET

Three-phase induction motor - Squirrel cage rotor

Customer :
 Product line : Cooling Tower Motors : NEMA Premium

Frame : 404/5T
 Output : 60 HP
 Frequency : 60 Hz
 Poles : 6
 Full load speed : 1180
 Slip : 1.67 %
 Voltage : 208-230/460 V
 Rated current : 156-141/70.4 A
 Locked rotor current : 971/486 A
 Locked rotor current (I_L/I_n) : 6.9
 No-load current : 50.0/25.0 A
 Full load torque : 263 lb.ft
 Locked rotor torque : 250 %
 Breakdown torque : 270 %
 Design : B
 Insulation class : F
 Temperature rise : 80 K
 Locked rotor time : 29 s (hot)
 Service factor : 1.25
 Duty cycle : S1
 Ambient temperature : -20°C - +40°C
 Altitude : 1000
 Degree of Protection : IP55
 Approximate weight : 1191 lb
 Moment of inertia : 36.858 sq.ft.lb
 Noise level : 65 dB(A)

	D.E.	N.D.E.	Load	Power factor	Efficiency (%)
Bearings	6316 C3	6314 C3	100%	0.85	94.5
Regreasing interval	12823 h	14267 h	75%	0.82	94.5
Grease amount	34 g	27 g	50%	0.73	93.6

Notes:

Performed by

Checked

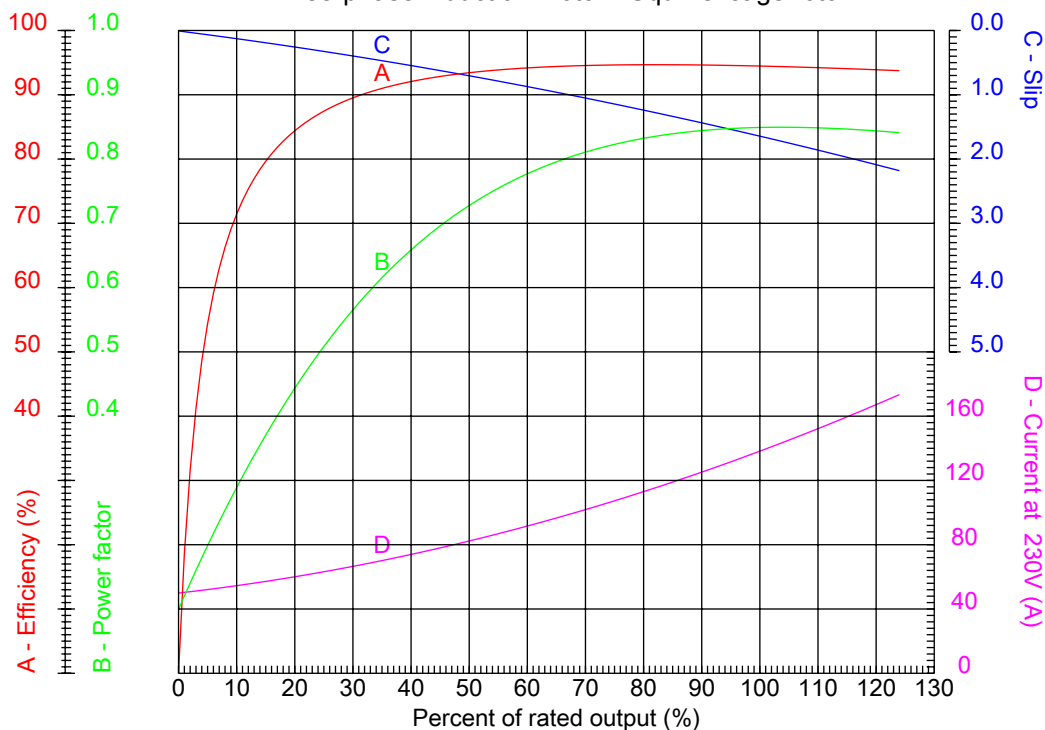


No.:

Date: 31-DEC-2012

PERFORMANCE CURVES RELATED TO RATED OUTPUT

Three-phase induction motor - Squirrel cage rotor



Customer :
Product line : Cooling Tower Motors : NEMA Premium

Frame	: 404/5T	Locked rotor current (I _l /I _n)	: 6.9
Output	: 60 HP	Duty cycle	: S1
Frequency	: 60 Hz	Service factor	: 1.25
Full load speed	: 1180	Design	: B
Voltage	: 208-230/460 V	Locked rotor torque	: 250 %
Rated current	: 156-141/70.4 A	Breakdown torque	: 270 %
Insulation class	: F		

Notes:

Performed by

Checked

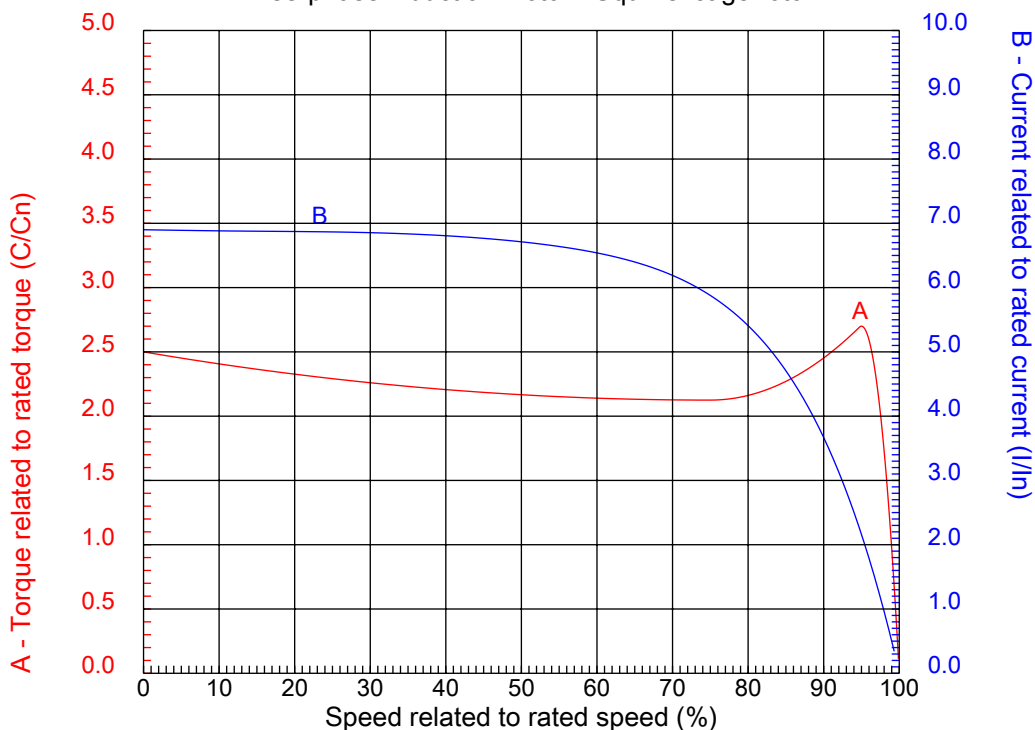


No.:

Date: 31-DEC-2012

CHARACTERISTIC CURVES RELATED TO SPEED

Three-phase induction motor - Squirrel cage rotor



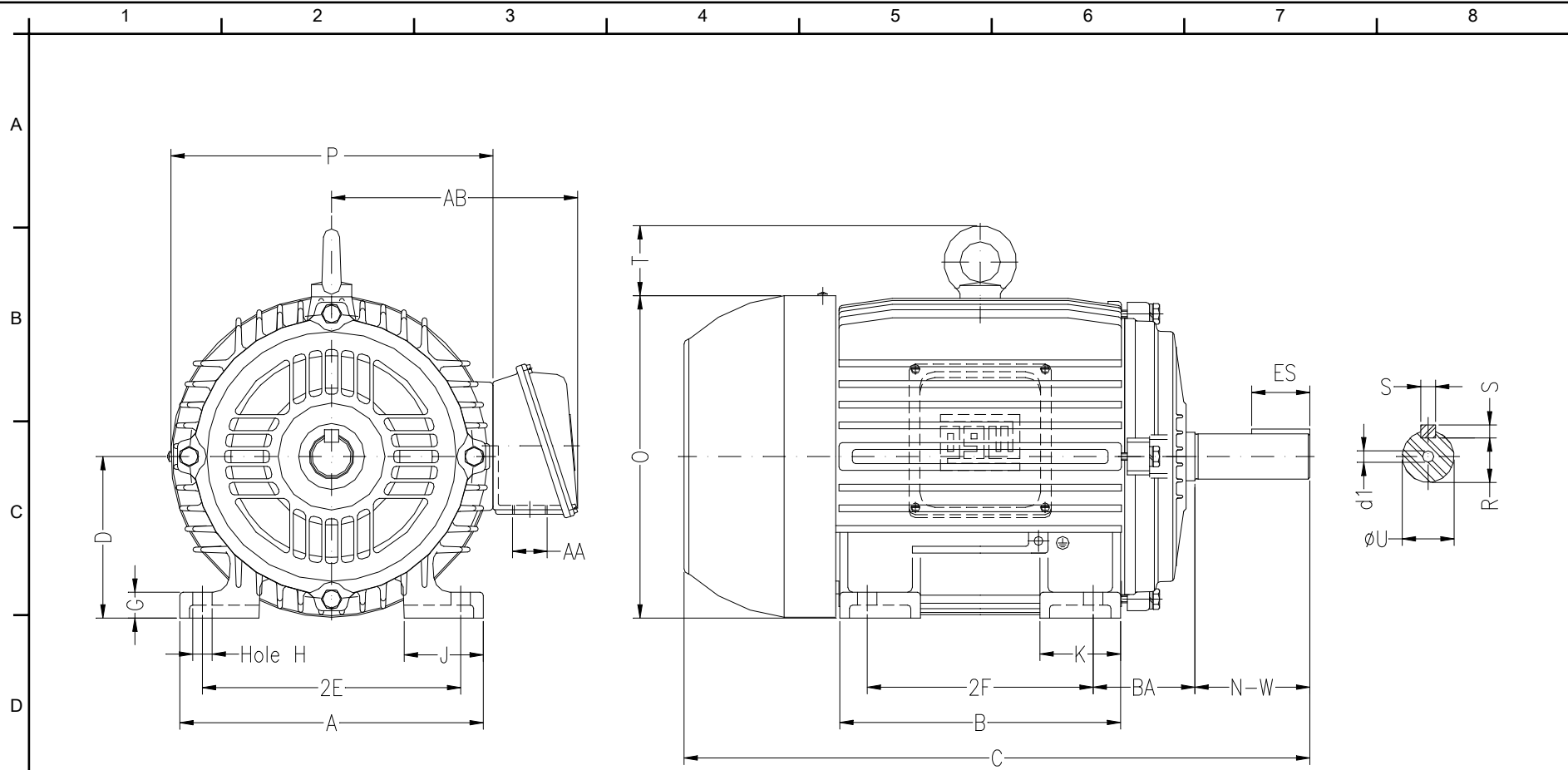
Customer :
Product line : Cooling Tower Motors : NEMA Premium

Frame	: 404/5T	Locked rotor current (I _l /I _n)	: 6.9
Output	: 60 HP	Duty cycle	: S1
Frequency	: 60 Hz	Service factor	: 1.25
Full load speed	: 1180	Design	: B
Voltage	: 208-230/460 V	Locked rotor torque	: 250 %
Rated current	: 156-141/70.4 A	Breakdown torque	: 270 %
Insulation class	: F		

Notes:

Performed by

Checked



Notes:

Performed by:

Checked:

Customer:

Cooling Tower Motors : NEMA Premium

Three-phase induction motor
Frame 404/5T - IP55

31-DEC-2012



2E 15.984	2F 12.244/13.740	H 0.807	BA 6.625	A 19.921
B 17.677	C 38.077	D 10.000	G 1.811	J 3.937
K 5.433	O 19.496	P 18.740	ES 5.512	S 0.750
N-W 7.250	U 2.875	R 2.449	AB 16.380	AA NPT 3"
d1 DUNC 3/4"-10	Flange FD-508	AJ 20.000	AK 18.000	BD 22.000
BF 0.828	BB 0.203			