



No.:

Date: 31-DEC-2012

Customer :

TECHNICAL PROPOSAL

Three-phase induction motor - Squirrel cage rotor

Product line : W22 Cooling Tower Motors: NEMA Premium

Catalog Number : 10018ET3ECT405T-W22

List Price : \$13,092

Notes:

Performed by:

Checked:



No.:

Date: 31-DEC-2012

DATA SHEET

Three-phase induction motor - Squirrel cage rotor

Customer :
Product line : W22 Cooling Tower Motors: NEMA Premium

Frame : 404/5T
Output : 100 HP
Frequency : 60 Hz
Poles : 4
Full load speed : 1775
Slip : 1.39 %
Voltage : 208-230/460 V
Rated current : 245-222/111 A
Locked rotor current : 1470/733 A
Locked rotor current (I_L/I_n) : 6.6
No-load current : 76.0/38.0 A
Full load torque : 292 lb.ft
Locked rotor torque : 240 %
Breakdown torque : 260 %
Design : B
Insulation class : F
Temperature rise : 80 K
Locked rotor time : 13 s (hot)
Service factor : 1.25
Duty cycle : S1
Ambient temperature : -20°C - +40°C
Altitude : 1000
Degree of Protection : IP55
Approximate weight : 1140 lb
Moment of inertia : 29.894 sq.ft.lb
Noise level : 68 dB(A)

	D.E.	N.D.E.	Load	Power factor	Efficiency (%)
Bearings	6316 C3	6314 C3	100%	0.88	95.4
Regreasing interval	10000 h	12000 h	75%	0.84	95.0
Grease amount	34 g	27 g	50%	0.77	95.0

Notes:

Performed by

Checked

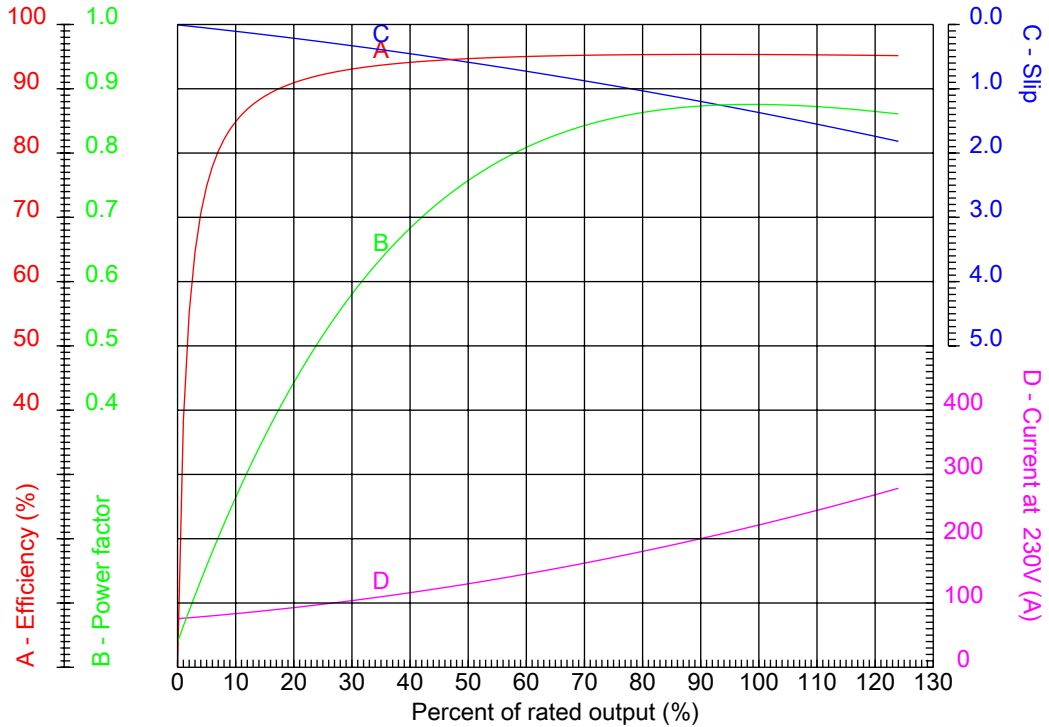


No.:

Date: 31-DEC-2012

PERFORMANCE CURVES RELATED TO RATED OUTPUT

Three-phase induction motor - Squirrel cage rotor



Customer :
Product line : W22 Cooling Tower Motors: NEMA Premium

Frame	: 404/5T	Locked rotor current (I _l /I _n)	: 6.6
Output	: 100 HP	Duty cycle	: S1
Frequency	: 60 Hz	Service factor	: 1.25
Full load speed	: 1775	Design	: B
Voltage	: 208-230/460 V	Locked rotor torque	: 240 %
Rated current	: 245-222/111 A	Breakdown torque	: 260 %
Insulation class	: F		

Notes:

Performed by

Checked

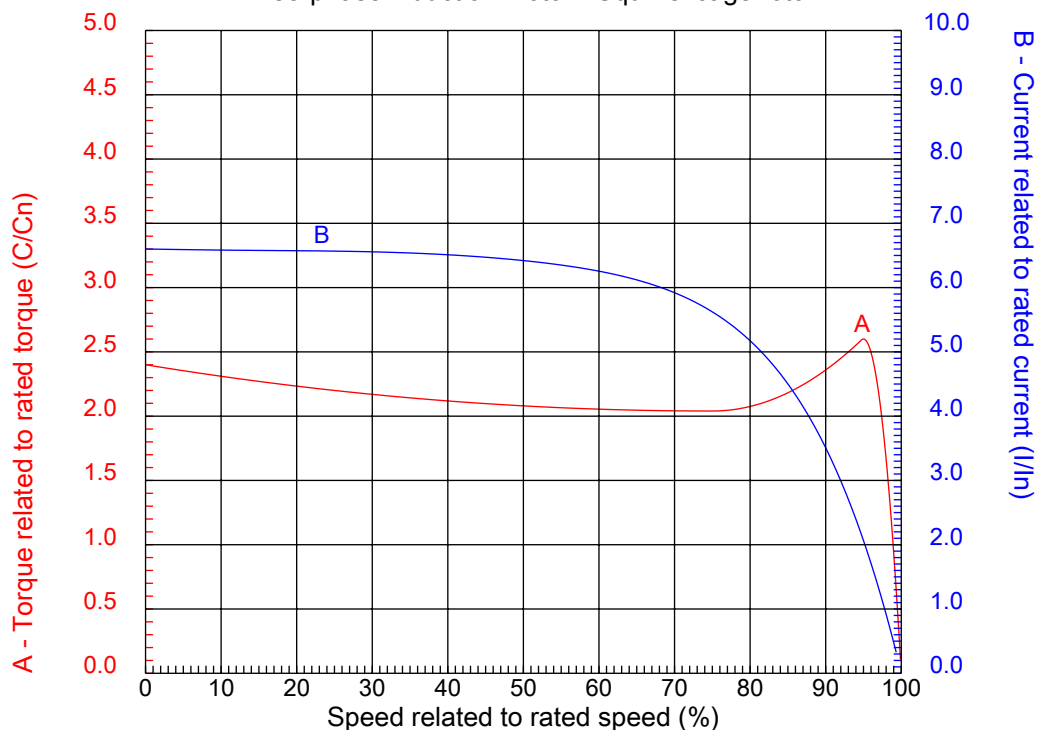


No.:

Date: 31-DEC-2012

CHARACTERISTIC CURVES RELATED TO SPEED

Three-phase induction motor - Squirrel cage rotor



Customer :
Product line : W22 Cooling Tower Motors: NEMA Premium

Frame	: 404/5T	Locked rotor current (I _l /I _n)	: 6.6
Output	: 100 HP	Duty cycle	: S1
Frequency	: 60 Hz	Service factor	: 1.25
Full load speed	: 1775	Design	: B
Voltage	: 208-230/460 V	Locked rotor torque	: 240 %
Rated current	: 245-222/111 A	Breakdown torque	: 260 %
Insulation class	: F		

Notes:

Performed by

Checked

1 2 3 4 5 6 7 8

A

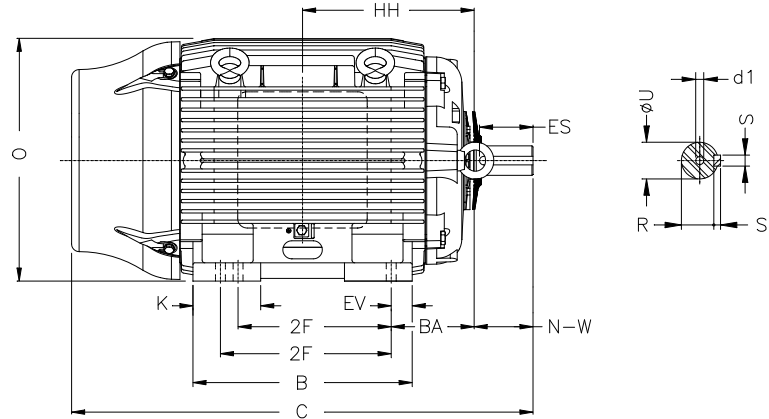
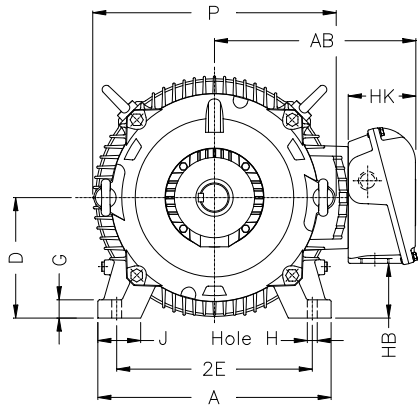
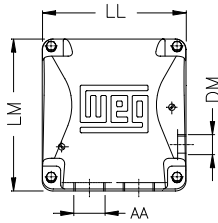
B

C

D

E

F



Notes:

Performed by:

Checked:

Customer:

W22 Cooling Tower Motors: NEMA Premium

Three-phase induction motor

Frame 404/5T - IP55

31-DEC-2012



2E 15.984	J 3.937	A 19.921	P 19.134	AB 15.997
2F 12.244/13.740	K 5.669	B 18.386	BA 6.625	U 2.875
N-W 7.250	ES 5.512	S 0.750	R 2.449	depth 0.750
D 10.000	G 1.811	HB 5.040	O 19.566	T 3.544
HD 23.110	HH 14.213	HK 5.997	H 0.810	C 39.730
LL 10.591	LM 11.266	AA NPT 3"	d1 DUNC 3/4"-10	d2 DUNC 3/4"-10