



No.:

Date: 31-DEC-2012

Customer :

TECHNICAL PROPOSAL

Three-phase induction motor - Squirrel cage rotor

Product line : Cooling Tower Motors : NEMA Premium

Catalog Number : 10018ET3PCT405T

List Price : \$13,092

Notes:

Performed by:

Checked:



No.:

Date: 31-DEC-2012

DATA SHEET

Three-phase induction motor - Squirrel cage rotor

Customer :
Product line : Cooling Tower Motors : NEMA Premium

Frame : 404/5T
Output : 100 HP
Frequency : 60 Hz
Poles : 4
Full load speed : 1775
Slip : 1.39 %
Voltage : 200 V
Rated current : 258 A
Locked rotor current : 1860 A
Locked rotor current (I_L/I_n) : 7.2
No-load current : 75.9 A
Full load torque : 292 lb.ft
Locked rotor torque : 250 %
Breakdown torque : 280 %
Design : B
Insulation class : F
Temperature rise : 80 K
Locked rotor time : 16 s (hot)
Service factor : 1.25
Duty cycle : S1
Ambient temperature : -20°C - +40°C
Altitude : 1000
Degree of Protection : IP55
Approximate weight : 1147 lb
Moment of inertia : 29.894 sq.ft.lb
Noise level : 75 dB(A)

	D.E.	N.D.E.	Load	Power factor	Efficiency (%)
Bearings	6316 C3	6314 C3	100%	0.88	95.4
Regreasing interval	8569 h	9789 h	75%	0.85	95.4
Grease amount	34 g	27 g	50%	0.77	94.5

Notes:

Performed by

Checked

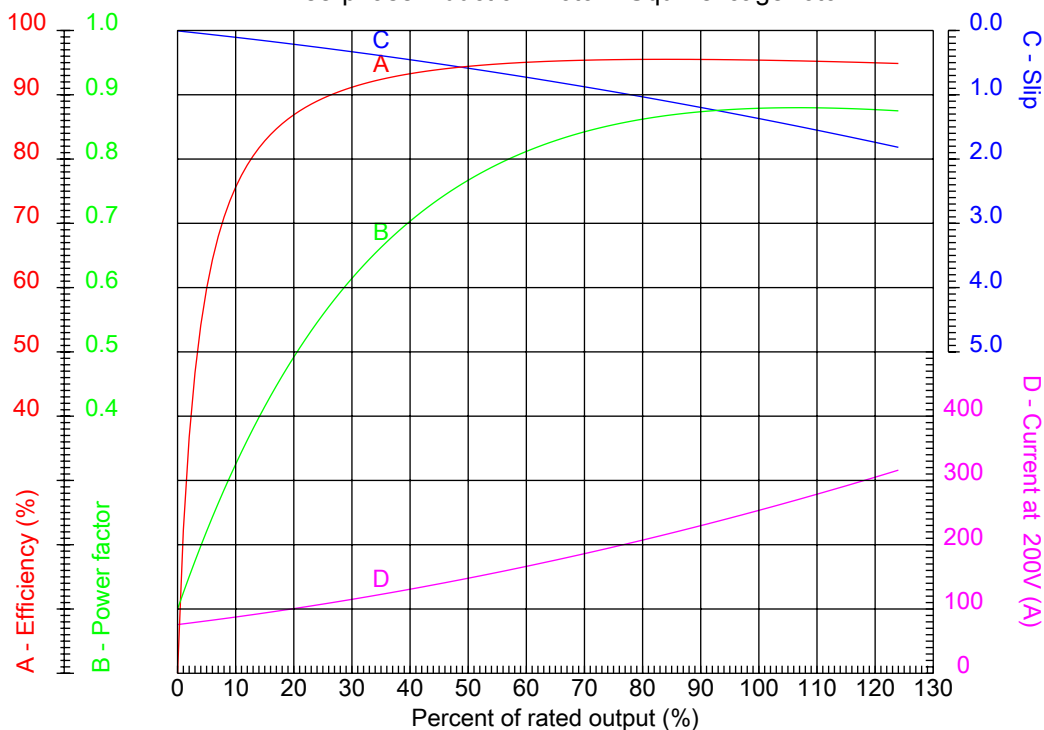


No.:

Date: 31-DEC-2012

PERFORMANCE CURVES RELATED TO RATED OUTPUT

Three-phase induction motor - Squirrel cage rotor



Customer :
Product line : Cooling Tower Motors : NEMA Premium

Frame	: 404/5T	Locked rotor current (I _l /I _n)	: 7.2
Output	: 100 HP	Duty cycle	: S1
Frequency	: 60 Hz	Service factor	: 1.25
Full load speed	: 1775	Design	: B
Voltage	: 200 V	Locked rotor torque	: 250 %
Rated current	: 258 A	Breakdown torque	: 280 %
Insulation class	: F		

Notes:

Performed by

Checked

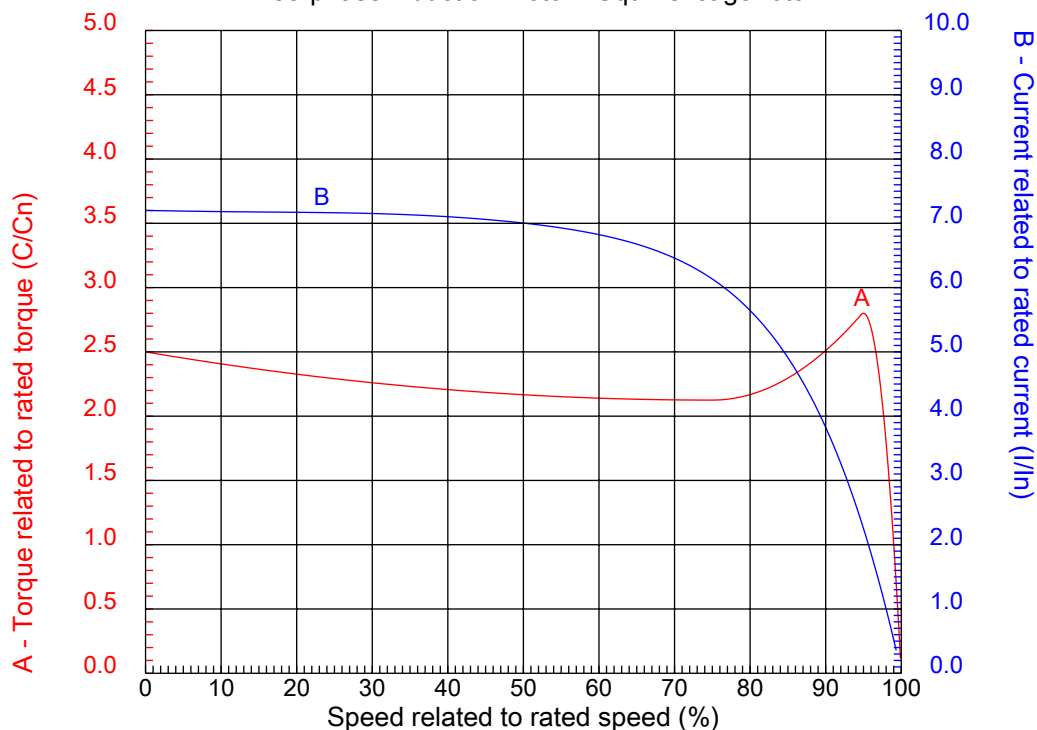


No.:

Date: 31-DEC-2012

CHARACTERISTIC CURVES RELATED TO SPEED

Three-phase induction motor - Squirrel cage rotor



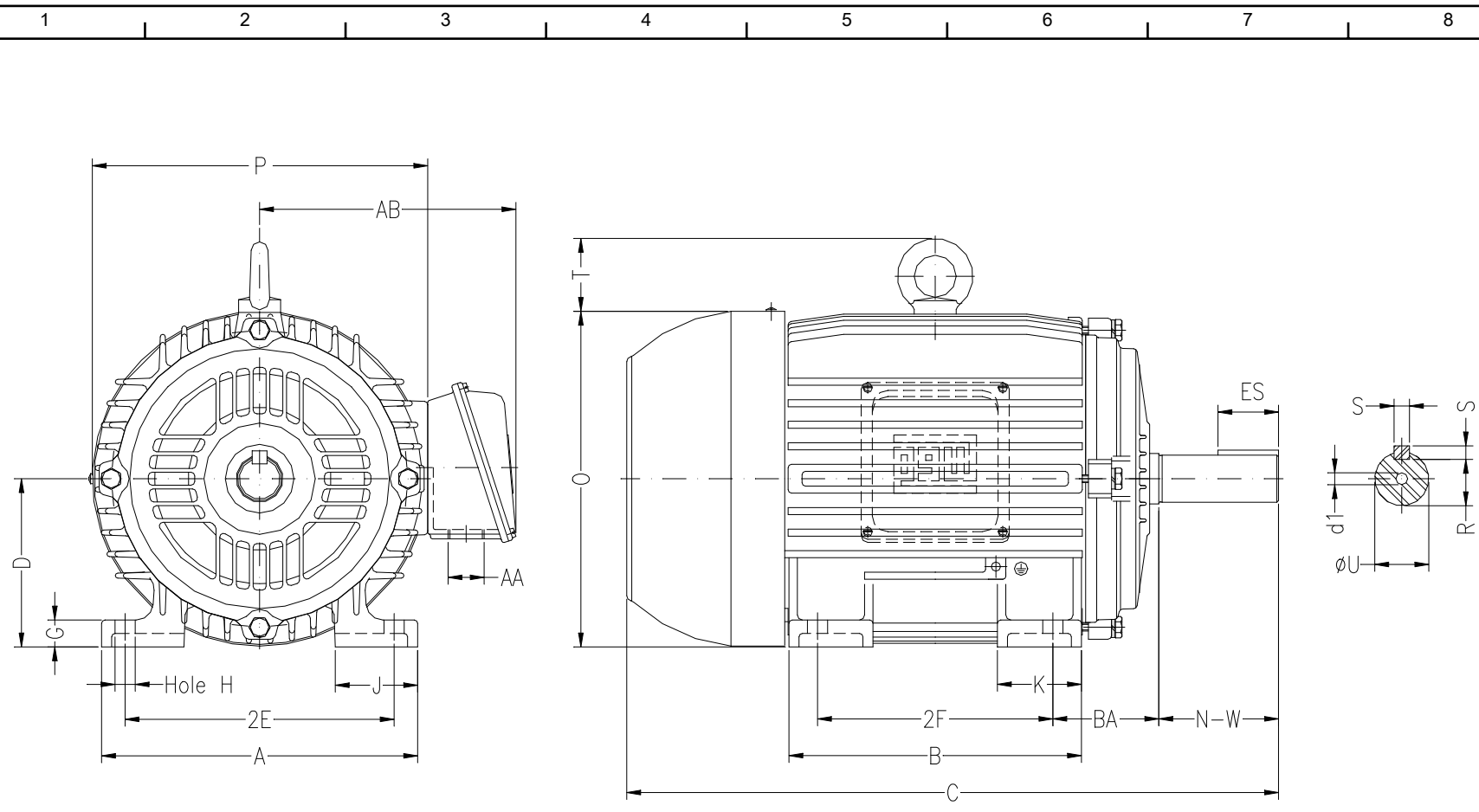
Customer :
Product line : Cooling Tower Motors : NEMA Premium

Frame	: 404/5T	Locked rotor current (I _l /I _n)	: 7.2
Output	: 100 HP	Duty cycle	: S1
Frequency	: 60 Hz	Service factor	: 1.25
Full load speed	: 1775	Design	: B
Voltage	: 200 V	Locked rotor torque	: 250 %
Rated current	: 258 A	Breakdown torque	: 280 %
Insulation class	: F		

Notes:

Performed by

Checked



Notes:

Performed by:

Checked:

Customer:

Cooling Tower Motors : NEMA Premium

Three-phase induction motor
Frame 404/5T - IP55

31-DEC-2012



	2E 15.984	2F 12.244/13.740	H 0.807	BA 6.625	A 19.921
	B 17.677	C 38.077	D 10.000	G 1.811	J 3.937
	K 5.433	O 19.496	P 18.740	ES 5.512	S 0.750
F	N-W 7.250	U 2.875	R 2.449	AB 16.380	AA NPT 3"
	d1 DUNC 3/4"-10	Flange FD-508	AJ 20.000	AK 18.000	BD 22.000
	BF 0.828	BB 0.203			