



342 N. Co. Rd. 400 East
Valparaiso, IN 46383
219-464-8818 • Fax 219-462-7985
www.heatwagon.com

Installation and Maintenance Manual

Please retain this manual for future reference.

Fans, Blowers & Torches



For your safety: Do not use this heater in a space where gasoline or other liquids having flammable vapors are stored.

WARRANTY

All new Heat Wagon and Sure Flame heaters and fans are guaranteed against defective materials and workmanship for one (1) year from invoice date.

Warranty repairs may be made only by an authorized, trained and certified Heat Wagon dealer. Warranty repairs by other entities will not be considered. Warranty claims must include model number and serial number.

LIMITATIONS

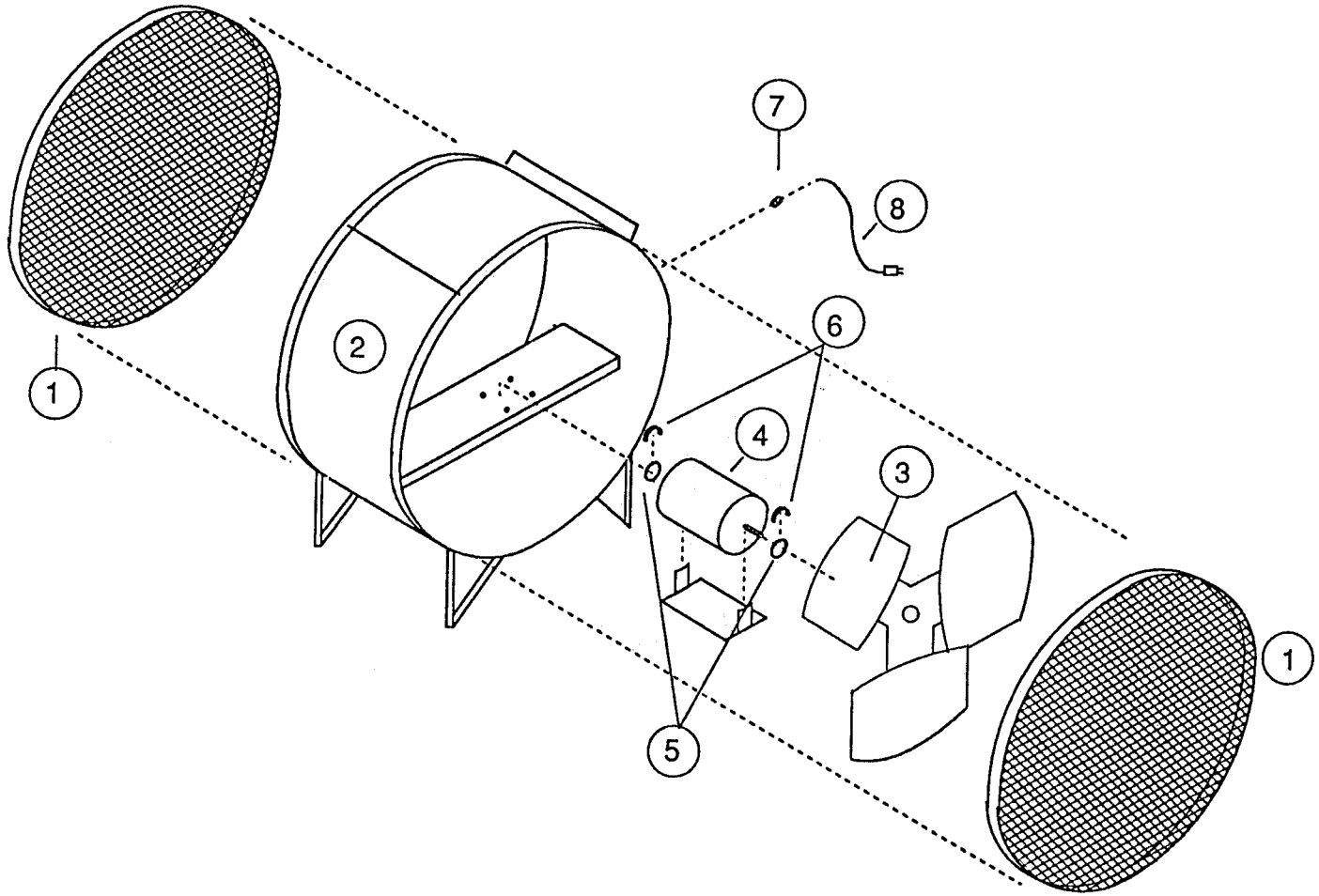
Warranty claims for service parts (wear parts) such as spark plugs, igniters, flame rods will not be allowed. Diagnostic parts such as voltage meters and pressure gauges are not warrantable.

Evidence of improper fuel usage, fuel pressures outside of manufacturer's specification, poor fuel quality, and improper electric power, misapplication or evidence of abuse may be cause for rejection of warranty claims.

Travel time, mileage and shipping charges will not be allowed. Minor adjustments of heaters are dealers' responsibility. Defective parts must be tagged and held for possible return to the factory for 60 days from date of repair. The factory will provide a return goods authorization, (RGA) for defective parts to be returned.

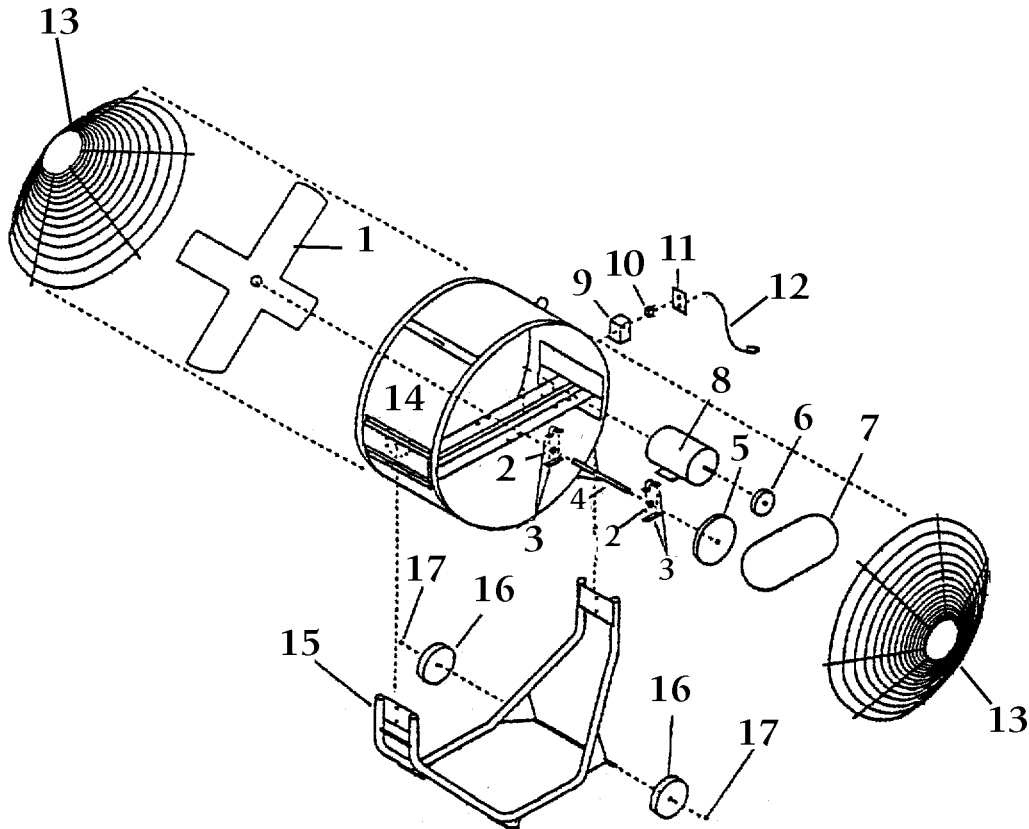
No warranty will be allowed for parts not purchased from Heat Wagon.

Model FN20 Air Mover



Item #	Part #	Description
1	SFP FN2051	Fan Guard
2	SFP FN2054	Fan Housing
3	SFP FS2422	20" Fan Blade
4	SFP FS2431	1/2 HP 115V 1725 RPM Electric Motor
5	SFP FS5665	Rubber Motor Mount
6	SFP FS5962	Motor Mount Base Clamp Kit
7	SFP FS5844	3/4 Strain Relief Connector
8	HWP HC1020	Power Cord 24 inch

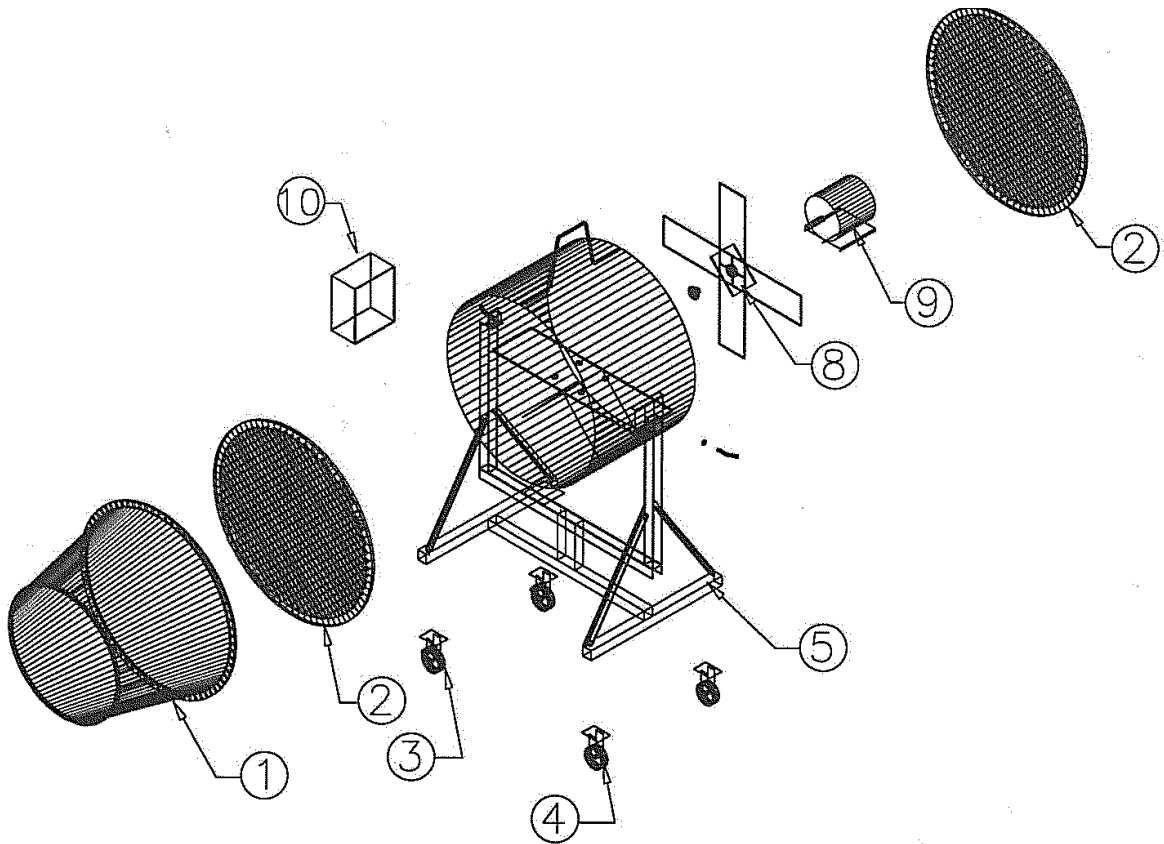
Model FN42 Air Mover



Item #	Part #	Description
1	SFP FS5932	42" Fan Blade
2	SFP FS5607	1" Bearing Insert
3	SFP FS5961	1" Pillow Block
4	SFP FN42116	1" Shaft
5	SFP FS5958	10" Sheave
6	SFP FS5960	3.0" Sheave
7	SFP FS5983	46" V-Belt
8	SFP 9262	1HP, 115V, 1725 RPM Motor
9	SFP FS5957	Switch Box
10	HWP HC1011	20 Amp Toggle Switch
11	SFP FN42125	Switch Cover
12	HWP HC1020	Power Cord
13	SFP FS5990	42" Fan Guard
14	SFP FN42702	Fan Housing
15	SFP FN42511	Tubular Frame
16	HWP HW1164	Semi Pneumatic Wheel 8"
17	SFP FS6330	Push Nut 1/2"
*	SFP FN42512	Latch Handle w/Pin

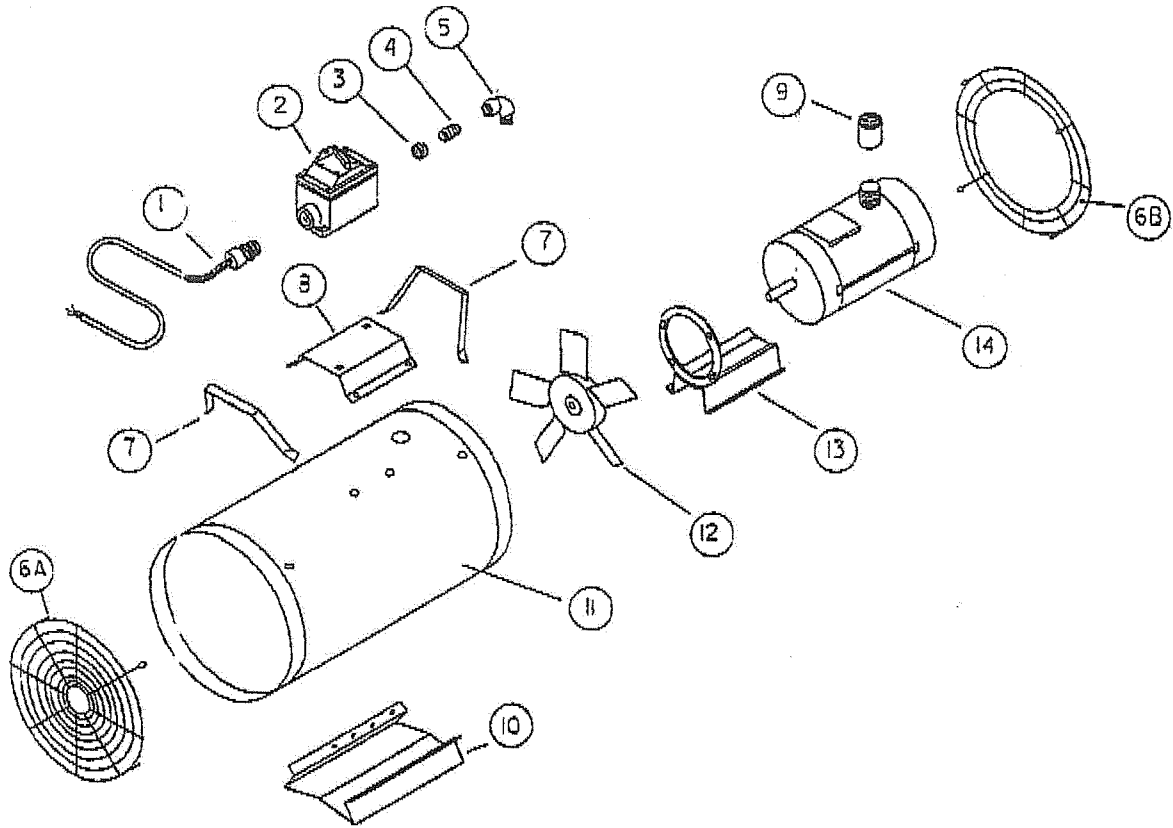
*Item not shown

Model I-36 Air Mover



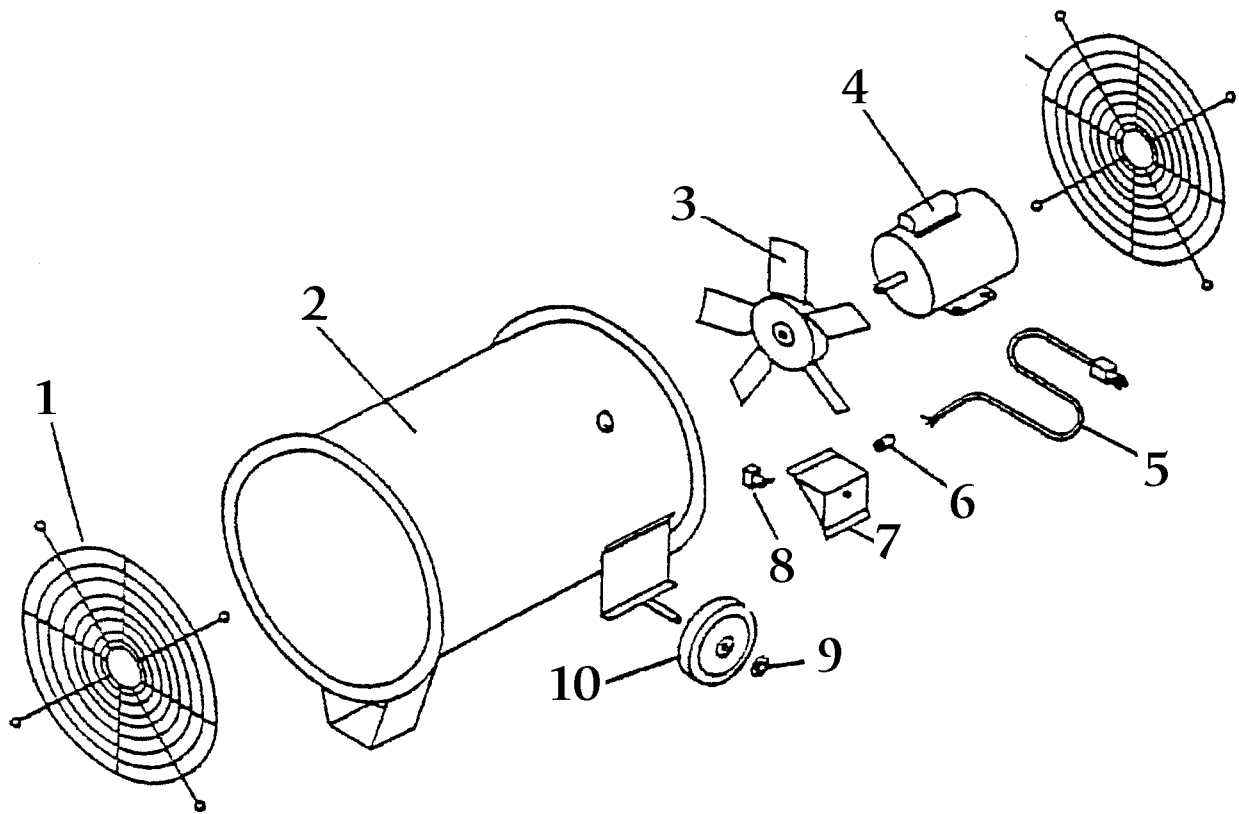
Item #	Part #	Description
1	FD360	Nosecone (optional)
2	FG306	Fan Guard
3	FC302	Swivel Caster 5" dia.
4	FC301	Rigid Caster 5" dia.
5	FH303	Fan Housing & Frame
8	FB307	4 Blade Fan Assy. w/Bushing
9	FM308	Motor, 5HP 3PH Tefc.
10	FS305	Man. Motor Starter 3PH

Model UB12E Hazardous Location Blower



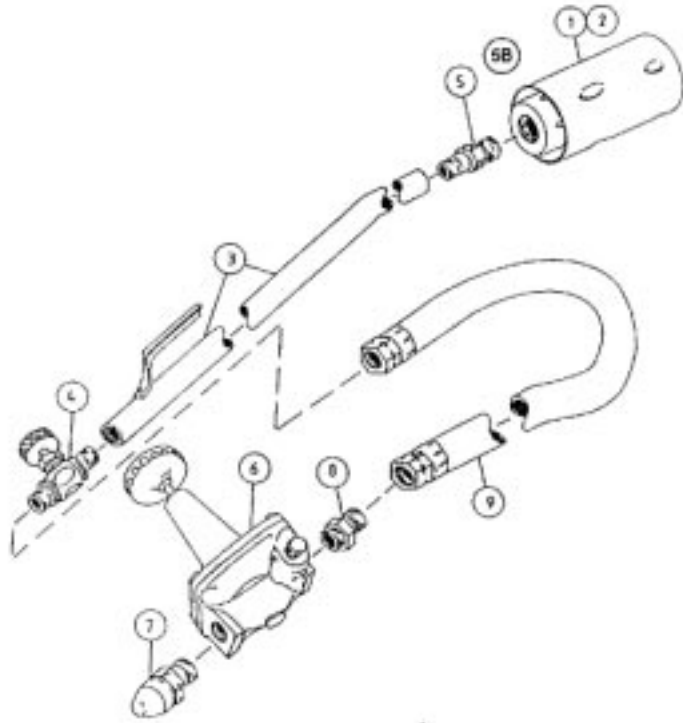
Ref	Part No.	Description
1	SFP UB1715	Cord/seal assembly - 6'
2	SFP 6731	Switch assembly
3	SFP 7041	1" x 3/4" Class I Group D reducing bushing
4	SFP 7040	3/4" x Close conduit nipple
5	SFP 7039	3/4" Class I Group D street elbow
6A	SFP 6728	12' Front fan guard
6B	SFP UP1719	12" Rear fan guard
7	SFP UB1019	Handle
8	SFP UP1030	Switch mounting plate
9	SFP 7038	1" x 3/4" Class I Group D reducing coupling
10	SFP UB1018	Base
11	SFP UB1507	Shell
12	SFP 7046	Fan blade
13	SFP UB1508	Motor mount
14	SFP 6732	1 HP, 115/230V, 3450 RPM
NOT SHOWN	WD1225	12" x 25' duct

Model UB18-1 Utility Blower



Ref	Part No.	Description
1	SFP FS6611	Fan Guard
2	UB-1708	Housing Assembly w/o Wheels
3	SFP FS6609	Fan Blade
4	SFP 9262	1HP, 115V, 1725 RPM Motor
5	HWP HC1020	Power Cord
6	SFP FS5844	7/8" Strain Relief Bushing
7	SFP UB1503	Switch Box
8	HWP HC1011	20 Amp Toggle Switch
9	SFP FS6330	1/2" Push Nut
10	HWP HW1164	8" Semi Pneumatic Wheel
NOT SHOWN	ACC-DFA18	UB18 18" Duct Transition
NOT SHOWN	WDD1825	25' x 18" Dia. Duct

Model ST2 & ST3 Torch Parts



SURE FLAME ST2 & ST3 TORCH PARTS LIST

Ref.	Part No.	Description
1	SFP 30BV1	ST2 Sure Flame Burner
2	SFP BV3-51	ST3 Sure Flame Burner
3	SFP 12SO1	Torch Handle
4	SFP 12SO2	Gas Valve
5	SFP 12S03	Burner Orifice (ST-2)
5B	SFP 12S04	Burner Orifice (ST-3)
6	SFP 567FB	Regulator
7	SFP 30SO7	POL Fitting
8	SFP 30SO8	Hose Coupling
9	HWP 2510LH	1/4" x 10' Hose