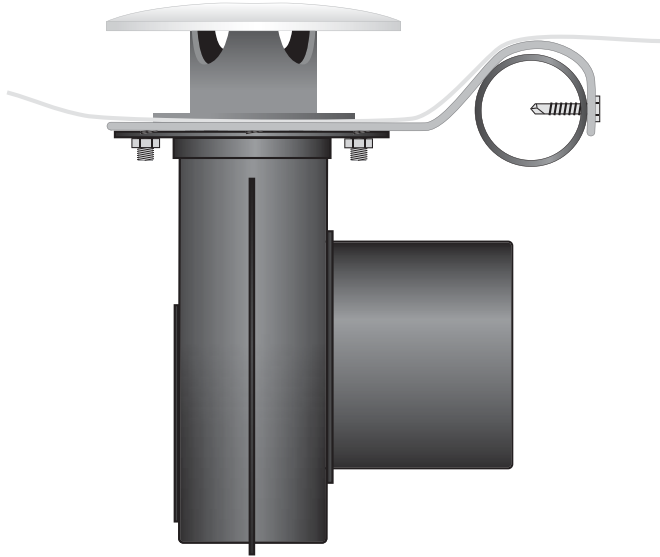


SHADED POLE BLOWER BRACKET

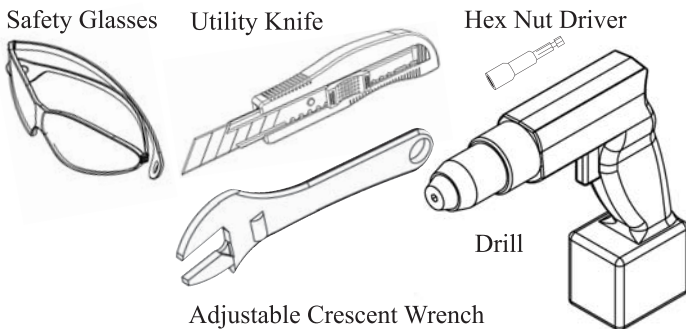


NOTE: Read ALL instructions over carefully before attempting to assemble and install the Shaded Pole Blower Bracket series in your building.
If you have any questions, please call your local dealer or J&D Manufacturing at: 1-800-998-2398.
Or visit our website at: www.jdmfg.com

WARRANTY

J&D Mfg warrants all products are free from defects in materials and workmanship under normal use for the period of one year from date of purchase. Our warranty does not cover normal or regular wear and tear. J&D Mfg can repair or replace at our option, any product or part of the product that is found to be defective. Our warranty applies to materials only and does not include return freight, delivery, loss or damage to personal property, cost of removal or installation, any incidental or consequential damages or labor. This warranty does not apply to products which are misused, abused, altered, improperly installed or subject to negligence. All warranties must be approved through our warranty department. The original purchaser must present a copy of the invoice for the defective product. One year is our standard warranty unless specified on our literature or in the installation instructions/user manuals.

RECOMMENDED TOOLS FOR ASSEMBLY (NOT PROVIDED)



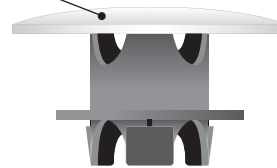
INCLUDED ASSEMBLY HARDWARE



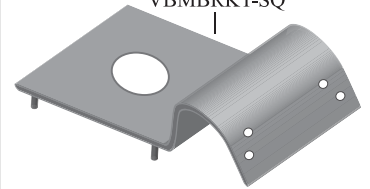
PARTS LEGEND

Bracket
Shape of bracket is dependant on bracket kit ordered

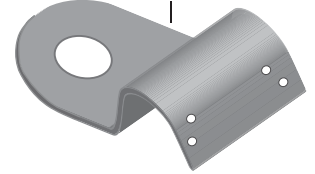
Diffuser



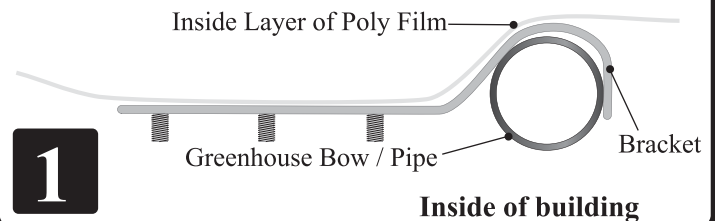
VBMBRKT-SQ



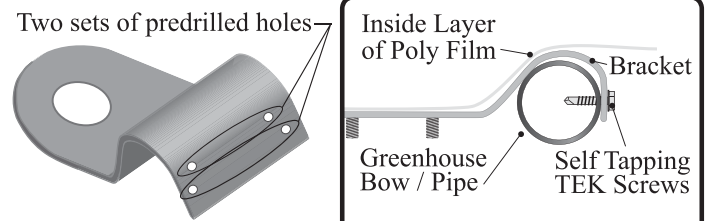
VBMBRKT-RND



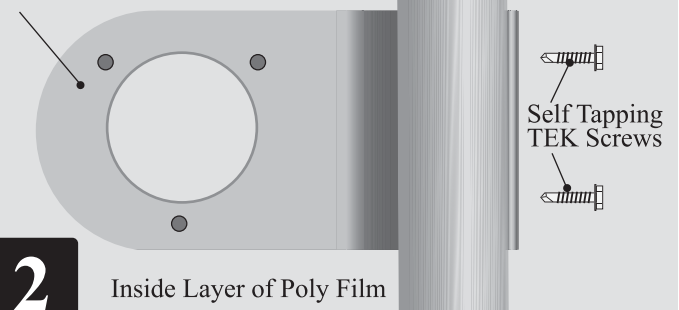
Insert bracket with curved area placed BETWEEN inside layer of poly film and greenhouse bow / pipe, as shown below.



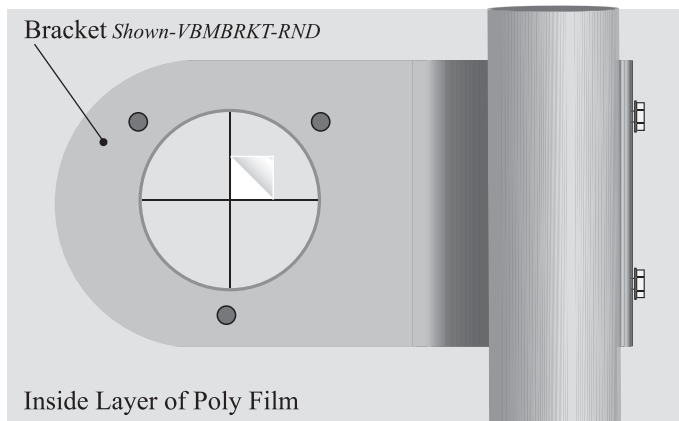
Observe the two sets of predrilled holes in bracket on curved end of bracket. Choose the set that best aligns with the greenhouse bow / pipe center. Secure bracket to greenhouse bow / pipe using 2 included self tapping TEK screws.



Bracket Shown-VBMBRKT-RND



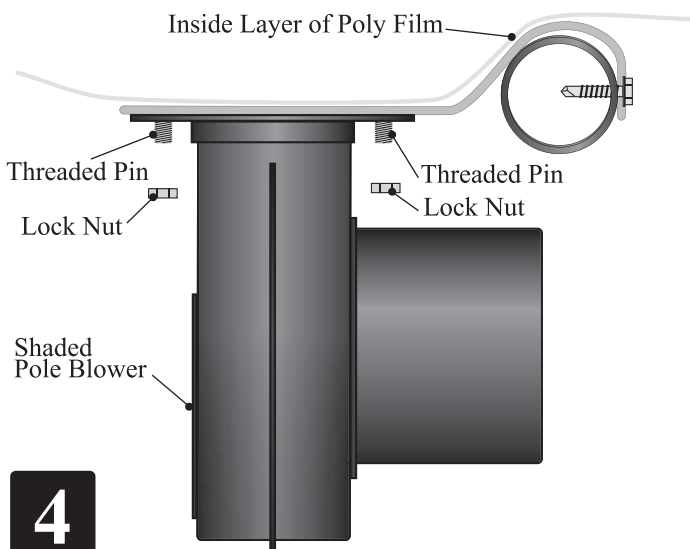
Using the vent hole in the bracket, cut a + in the inside layer of poly film, making sure not to exceed the vent hole opening. Do NOT cut a round hole.



3

Attach the shaded pole blower to the bracket as shown. The configuration and number of threaded pins is dependant on the model of bracket. The VBMBRKT-SQ will have 4 threaded pins in a rectangular formation and will require the use of 4 lock nuts to fully secure the blower. The VBMBRKT-RND will have 3 threaded pins in a triangular formation and will require the use of 3 lock nuts to fully secure the blower motor.

Secure shaded blower flush to the bracket so as not to allow air to leak, but do not overtighten lock nuts.

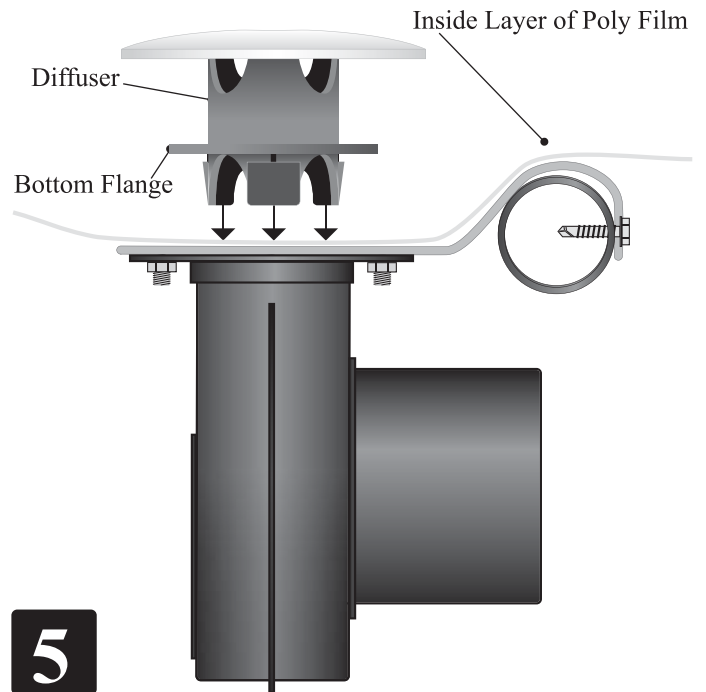


4

NOTE:

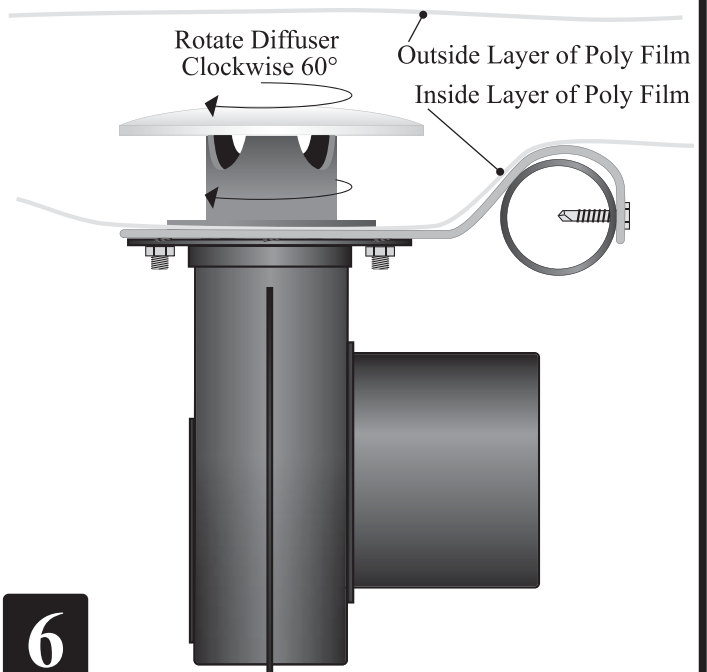
If installing shaded pole blower bracket where the exterior layer of poly film has already been installed you will need to uninstall the top layer of poly film enough to complete steps 5 and 6. Once this is complete, reinstall exterior layer of poly film.

Insert diffuser through + cut in the poly film, bracket opening, and into opening of shaded blower until the bottom flange on the diffuser rests against bracket securing poly film.



5

Once diffuser is seated flush against the bracket rotate the diffuser clockwise 60° to lock the diffuser to the bracket.



6

**Tour our website for
new innovative quality
J&D ventilation products.
www.jdmfg.com**