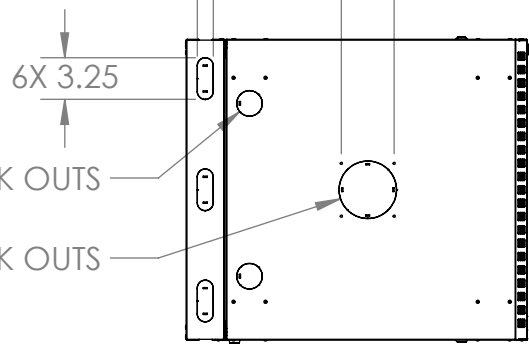


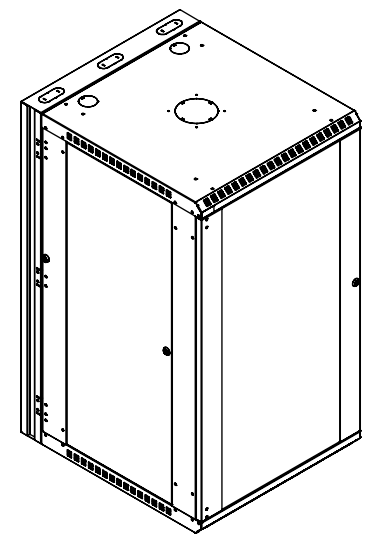
6X 1.25 KNOCK OUTS ———— 2X □4.13 FAN HOLE PATTERN



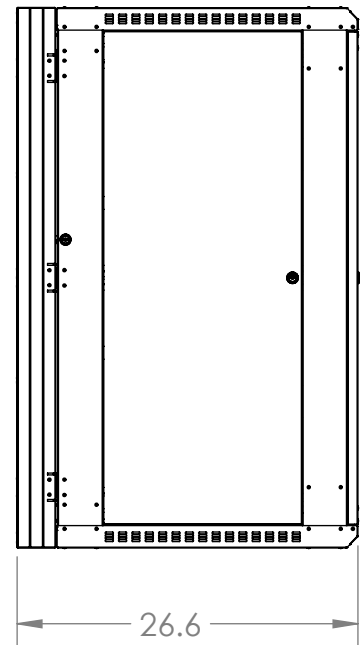
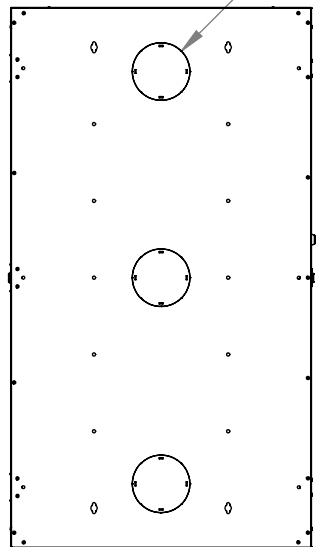
6X 3.25

4X Ø 2.0 KNOCK OUTS

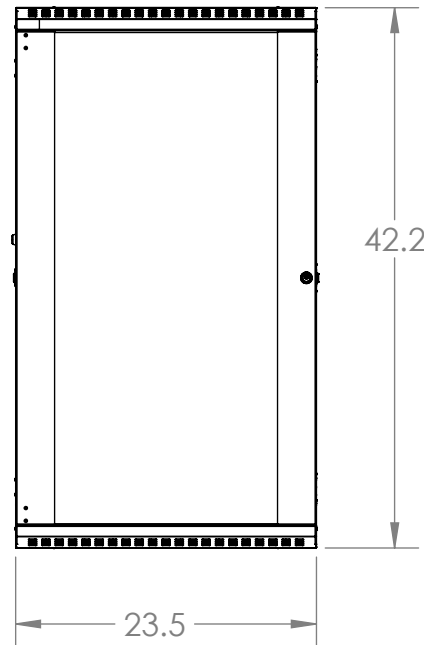
2X Ø 4.5 KNOCK OUTS



3X Ø 4.50 KNOCK OUTS



26.6



42.2

23.5

**KENDALL HOWARD**  <sup>TM</sup>  
**INNOVATORS IN PRODUCT DESIGN**

**PROPRIETARY AND CONFIDENTIAL**

THE INFORMATION CONTAINED IN THIS DRAWING IS THE SOLE PROPERTY OF KENDALL HOWARD LLC. ANY REPRODUCTION IN PART OR AS A WHOLE WITHOUT THE WRITTEN PERMISSION OF KENDALL HOWARD LLC IS STRICTLY PROHIBITED. THE PRODUCTS SHOWN AND DESCRIBED IN THIS DRAWING ARE THE INTELLECTUAL PROPERTY OF KENDALL HOWARD LLC. THEY MAY BE PROTECTED BY TRADE SECRETS, PATENTS, TRADEMARKS, COPYRIGHT LAWS, OR A COMBINATION OF SOME OR ALL OF THESE LAWS. COPYRIGHT 2010 KENDALL HOWARD LLC.

	NAME	DATE
DRAWN	JDG	9/12/2012
CHECKED	BS	4/5/2012
ENG APPR.	KRH	4/5/2012
MFG APPR.		

TITLE:  
**Linier 22U Swing Out Cabinet,  
 Glass Door**

SIZE	DWG. NO.	REV
<b>A</b>	<b>3130-3-001-22</b>	-

UNLESS OTHERWISE SPECIFIED:  
 DIMENSIONS ARE IN INCHES  
 DO NOT SCALE DRAWING

SCALE: 1:15 Weight:81.6854 SHEET 1 OF 1

5

4

3

2

1