



No.:

Date: 17-DEC-2012

Customer :

TECHNICAL PROPOSAL

Three-phase induction motor - Squirrel cage rotor

Product line : W22 NEMA Premium - Ball Bearings

Catalog Number : 00156ET3H143T-W22

List Price : \$543

Notes:

Performed by:

Checked:



No.:

Date: 17-DEC-2012

## DATA SHEET

### Three-phase induction motor - Squirrel cage rotor

Customer :  
Product line : W22 NEMA Premium - Ball Bearings

Frame : 143T  
Output : 1.5 HP  
Frequency : 60 Hz  
Poles : 2  
Full load speed : 3490  
Slip : 3.06 %  
Voltage : 575 V  
Rated current : 1.53 A  
Locked rotor current : 13.6 A  
Locked rotor current (I<sub>L</sub>/I<sub>n</sub>) : 8.9  
No-load current : 0.600 A  
Full load torque : 2.23 lb.ft  
Locked rotor torque : 350 %  
Breakdown torque : 380 %  
Design : B  
Insulation class : F  
Temperature rise : 80 K  
Locked rotor time : 21 s (hot)  
Service factor : 1.25  
Duty cycle : S1  
Ambient temperature : -20°C - +40°C  
Altitude : 1000  
Degree of Protection : IP55  
Approximate weight : 41 lb  
Moment of inertia : 0.04699 sq.ft.lb  
Noise level : 68 dB(A)

	D.E.	N.D.E.	Load	Power factor	Efficiency (%)
Bearings	6205 ZZ	6204 ZZ	100%	0.86	84.0
Regreasing interval	---	---	75%	0.82	84.0
Grease amount	---	---	50%	0.72	81.5

Notes:

Performed by

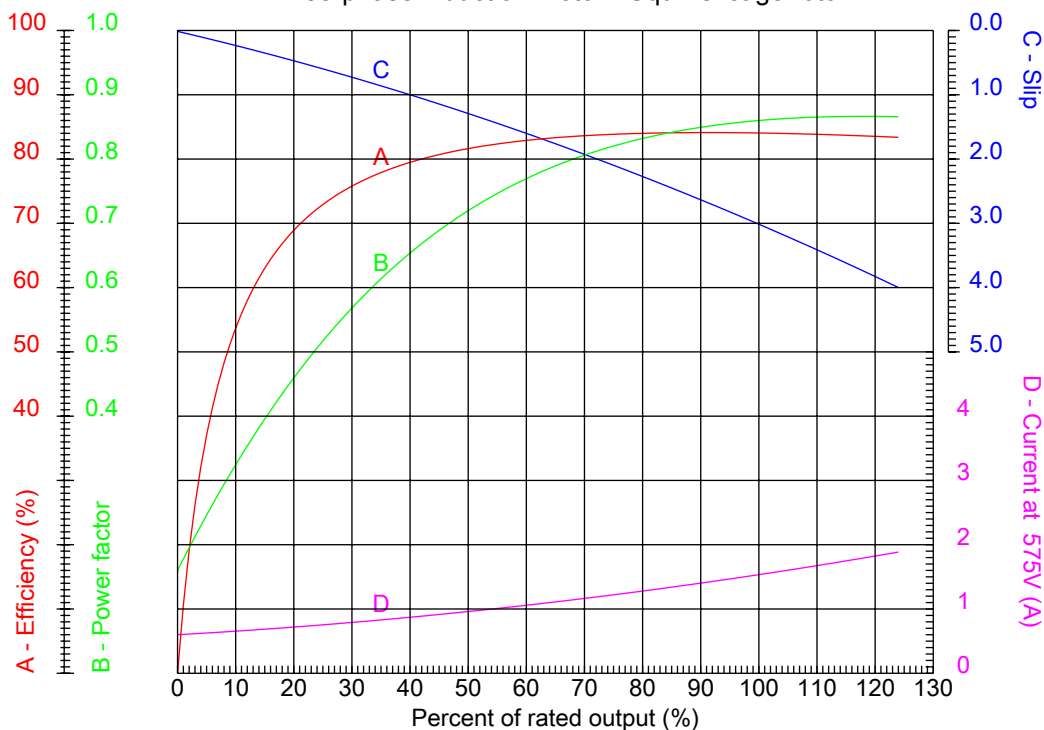
Checked



No.:

Date: 17-DEC-2012

### PERFORMANCE CURVES RELATED TO RATED OUTPUT Three-phase induction motor - Squirrel cage rotor



Customer :  
Product line : W22 NEMA Premium - Ball Bearings

Frame : 143T	Locked rotor current (I <sub>L</sub> /I <sub>n</sub> ) : 8.9
Output : 1.5 HP	Duty cycle : S1
Frequency : 60 Hz	Service factor : 1.25
Full load speed : 3490	Design : B
Voltage : 575 V	Locked rotor torque : 350 %
Rated current : 1.53 A	Breakdown torque : 380 %
Insulation class : F	

Notes:

Performed by

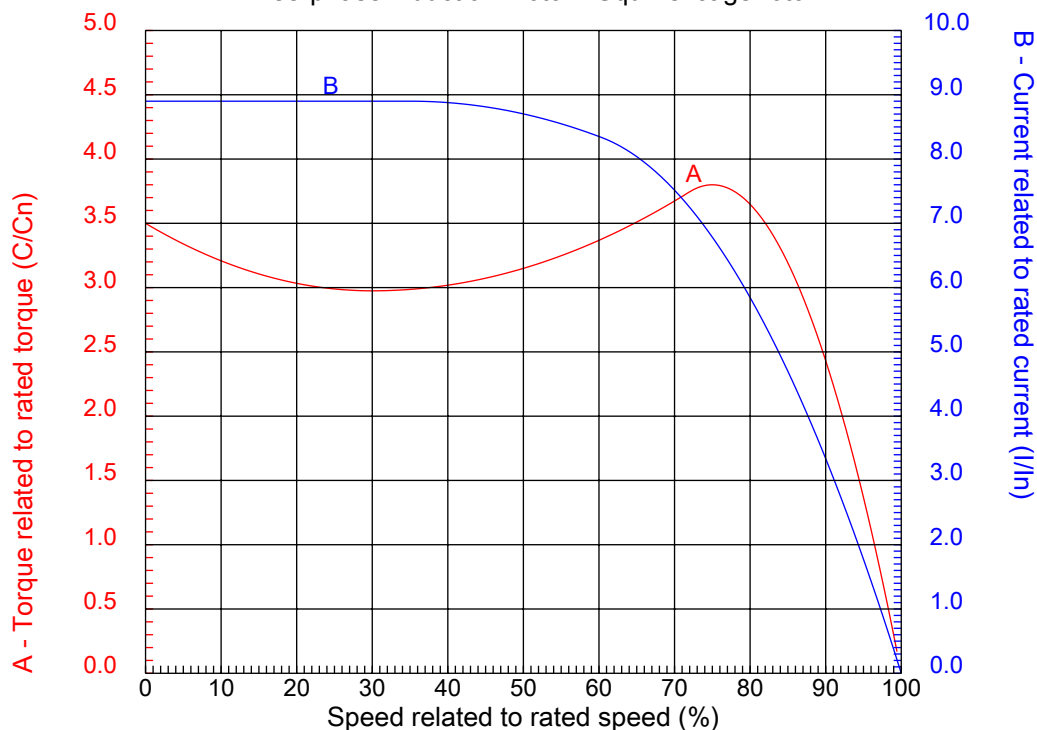
Checked



No.:

Date: 17-DEC-2012

### CHARACTERISTIC CURVES RELATED TO SPEED Three-phase induction motor - Squirrel cage rotor



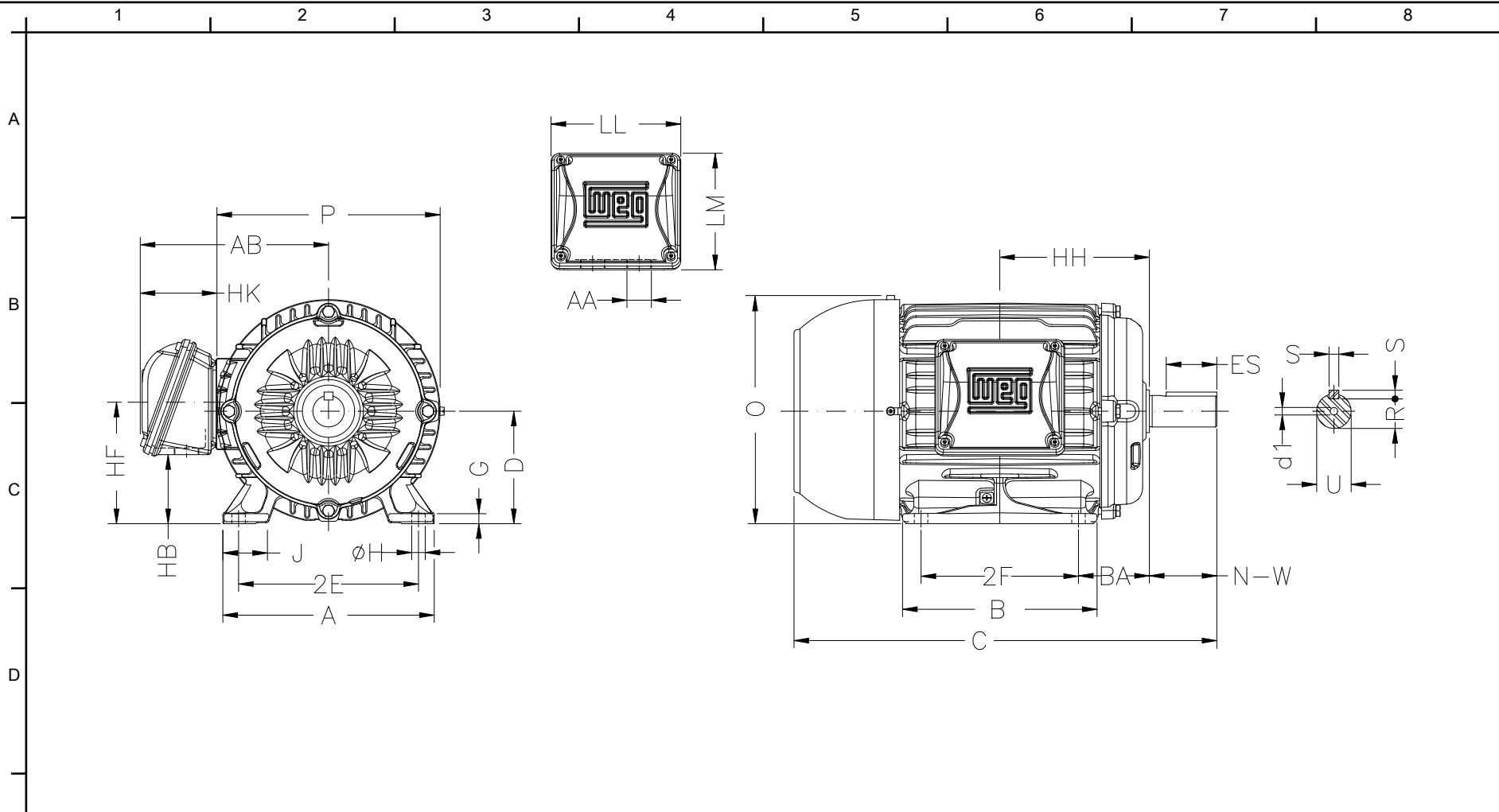
Customer :  
Product line : W22 NEMA Premium - Ball Bearings

Frame	: 143T	Locked rotor current (I <sub>l</sub> /I <sub>n</sub> )	: 8.9
Output	: 1.5 HP	Duty cycle	: S1
Frequency	: 60 Hz	Service factor	: 1.25
Full load speed	: 3490	Design	: B
Voltage	: 575 V	Locked rotor torque	: 350 %
Rated current	: 1.53 A	Breakdown torque	: 380 %
Insulation class	: F		

Notes:

Performed by

Checked



Notes:

2E	J	A	P	AB
5.500	1.437	6.457	7.047	6.181
2F	B	BA	FBA	U
4.000	5.157	2.250	4.082	0.875
N-W	ES	S	R	depth
2.250	1.575	0.187	0.765	0.187
D	G	HB	O	HF
3.500	0.354	1.728	7.122	3.500
HH	HK	H	C	LL
4.250	2.638	0.344	12.346	4.527
LM	AA	d1	d2	Flange
4.094	NPT 3/4"	A 4	A 4	FD-254
AJ	AK	BD	BF	BB
10.000	9.000	11.00	0.562	0.203

Performed by:

Checked:

Customer:

W22 NEMA Premium - Ball Bearings

Three-phase induction motor  
Frame 143T - IP55

17-DEC-2012

