



No.:

Date: 17-DEC-2012

Customer :

TECHNICAL PROPOSAL

Three-phase induction motor - Squirrel cage rotor

Product line : W22 NEMA Premium - Ball Bearings

Catalog Number : 00158ET3H145T-W22

List Price : \$551

Notes:

Performed by:

Checked:



No.:

Date: 17-DEC-2012

DATA SHEET

Three-phase induction motor - Squirrel cage rotor

Customer :
Product line : W22 NEMA Premium - Ball Bearings

Frame : 145T
Output : 1.5 HP
Frequency : 60 Hz
Poles : 4
Full load speed : 1755
Slip : 2.50 %
Voltage : 575 V
Rated current : 1.62 A
Locked rotor current : 13.4 A
Locked rotor current (I_L/I_n) : 8.3
No-load current : 0.840 A
Full load torque : 4.43 lb.ft
Locked rotor torque : 250 %
Breakdown torque : 340 %
Design : B
Insulation class : F
Temperature rise : 80 K
Locked rotor time : 14 s (hot)
Service factor : 1.25
Duty cycle : S1
Ambient temperature : -20°C - +40°C
Altitude : 1000
Degree of Protection : IP55
Approximate weight : 49 lb
Moment of inertia : 0.14309 sq.ft.lb
Noise level : 51 dB(A)

	D.E.	N.D.E.	Load	Power factor	Efficiency (%)
Bearings	6205 ZZ	6204 ZZ	100%	0.79	86.5
Regreasing interval	---	---	75%	0.70	85.5
Grease amount	---	---	50%	0.60	82.5

Notes:

Performed by

Checked

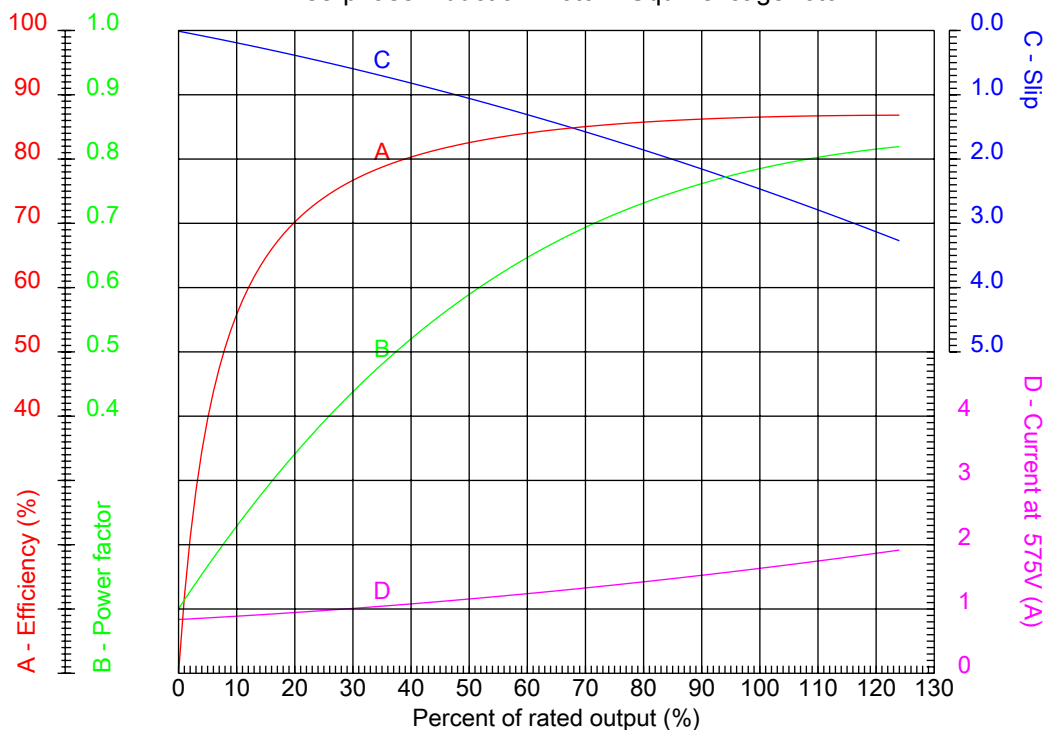


No.:

Date: 17-DEC-2012

PERFORMANCE CURVES RELATED TO RATED OUTPUT

Three-phase induction motor - Squirrel cage rotor



Customer :
Product line : W22 NEMA Premium - Ball Bearings

Frame : 145T	Locked rotor current (I _l /I _n) : 8.3
Output : 1.5 HP	Duty cycle : S1
Frequency : 60 Hz	Service factor : 1.25
Full load speed : 1755	Design : B
Voltage : 575 V	Locked rotor torque : 250 %
Rated current : 1.62 A	Breakdown torque : 340 %
Insulation class : F	

Notes:

Performed by

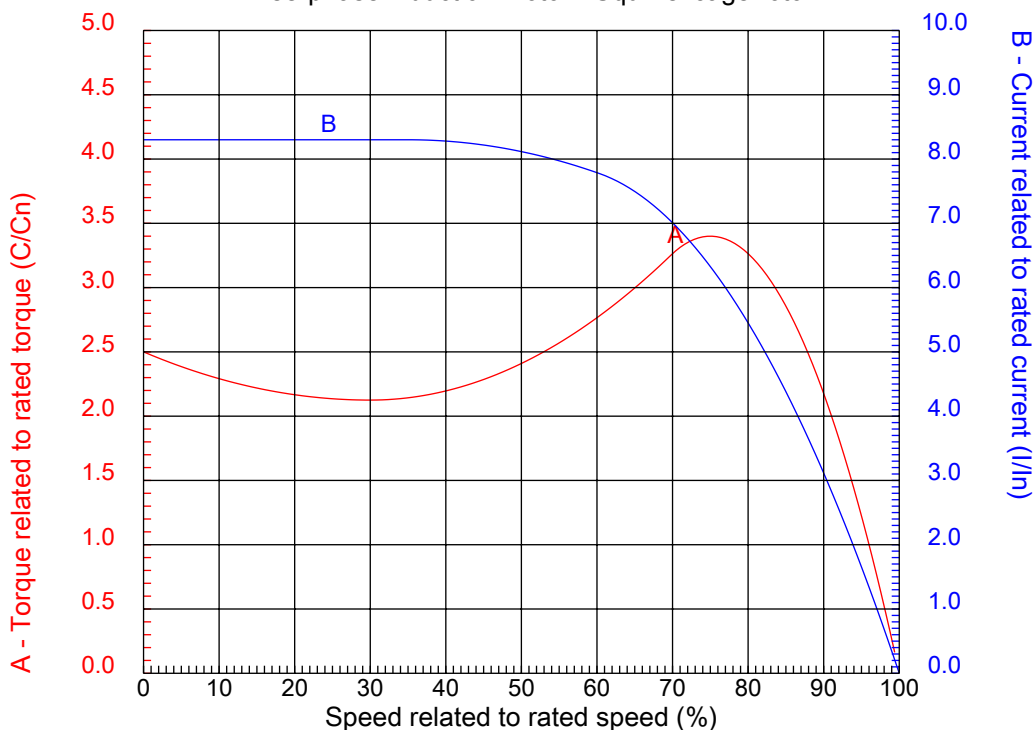
Checked



No.:

Date: 17-DEC-2012

CHARACTERISTIC CURVES RELATED TO SPEED Three-phase induction motor - Squirrel cage rotor



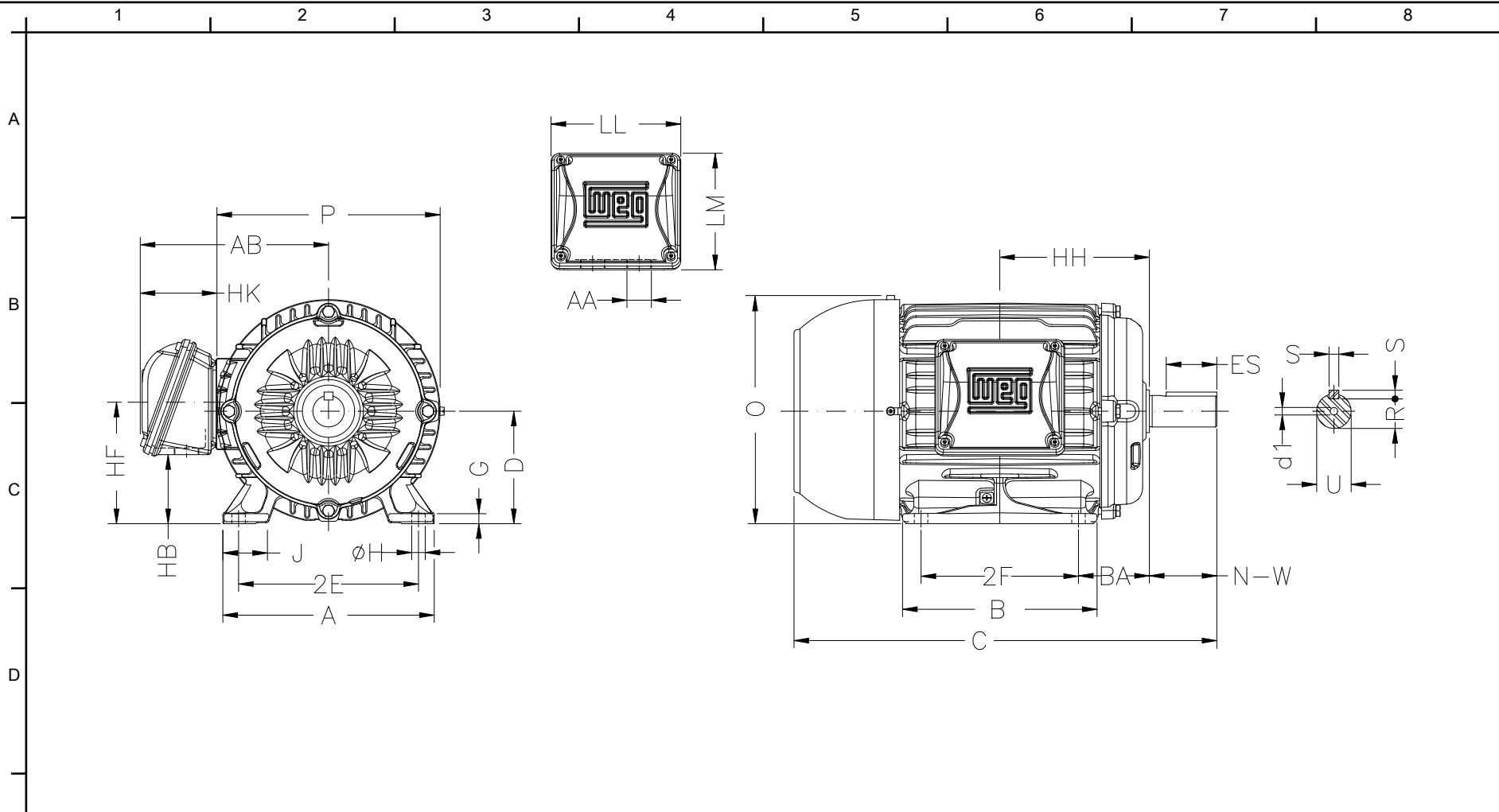
Customer :
Product line : W22 NEMA Premium - Ball Bearings

Frame	: 145T	Locked rotor current (I _l /I _n)	: 8.3
Output	: 1.5 HP	Duty cycle	: S1
Frequency	: 60 Hz	Service factor	: 1.25
Full load speed	: 1755	Design	: B
Voltage	: 575 V	Locked rotor torque	: 250 %
Rated current	: 1.62 A	Breakdown torque	: 340 %
Insulation class	: F		

Notes:

Performed by

Checked



E	2E 5.500	J 1.437	A 6.457	P 7.047	AB 6.181
	2F 5.000	B 6.142	BA 2.250	FBA 4.082	U 0.875
	N-W 2.250	ES 1.575	S 0.187	R 0.765	depth 0.187
	D 3.500	G 0.354	HB 1.728	O 7.122	HF 3.500
	HH 4.750	HK 2.638	H 0.344	C 13.346	FC 15.202
F	LL 4.527	LM 4.094	AA NPT 3/4"	d1 A 4	d2 A 4
	Flange FD-254	AJ 10.000	AK 9.000	BD 11.00	BF 0.562
	BB 0.203				

Notes:		
Performed by:		
Checked:		
Customer:		
W22 NEMA Premium - Ball Bearings		
Three-phase induction motor Frame 145T - IP55	17-DEC-2012	