



No.:

Date: 17-DEC-2012

Customer :

TECHNICAL PROPOSAL

Three-phase induction motor - Squirrel cage rotor

Product line : W22 NEMA Premium - Ball Bearings

Catalog Number : 01536ET3E254T-W22

List Price : \$1,824

Notes:

Performed by:

Checked:



No.:

Date: 17-DEC-2012

## DATA SHEET

### Three-phase induction motor - Squirrel cage rotor

Customer :  
Product line : W22 NEMA Premium - Ball Bearings

Frame : 254T  
Output : 15 HP  
Frequency : 60 Hz  
Poles : 2  
Full load speed : 3530  
Slip : 1.94 %  
Voltage : 208-230/460 V  
Rated current : 37.6-34.4/17.2 A  
Locked rotor current : 234/117 A  
Locked rotor current (I<sub>L</sub>/I<sub>n</sub>) : 6.8  
No-load current : 12.0/6.00 A  
Full load torque : 22.0 lb.ft  
Locked rotor torque : 220 %  
Breakdown torque : 270 %  
Design : B  
Insulation class : F  
Temperature rise : 80 K  
Locked rotor time : 25 s (hot)  
Service factor : 1.25  
Duty cycle : S1  
Ambient temperature : -20°C - +40°C  
Altitude : 1000  
Degree of Protection : IP55  
Approximate weight : 236 lb  
Moment of inertia : 1.2565 sq.ft.lb  
Noise level : 72 dB(A)

	D.E.	N.D.E.	Load	Power factor	Efficiency (%)
Bearings	6309 C3	6209 C3	100%	0.88	91.0
Regreasing interval	19000 h	20000 h	75%	0.85	91.0
Grease amount	13 g	9 g	50%	0.77	89.5

Notes:

Performed by

Checked

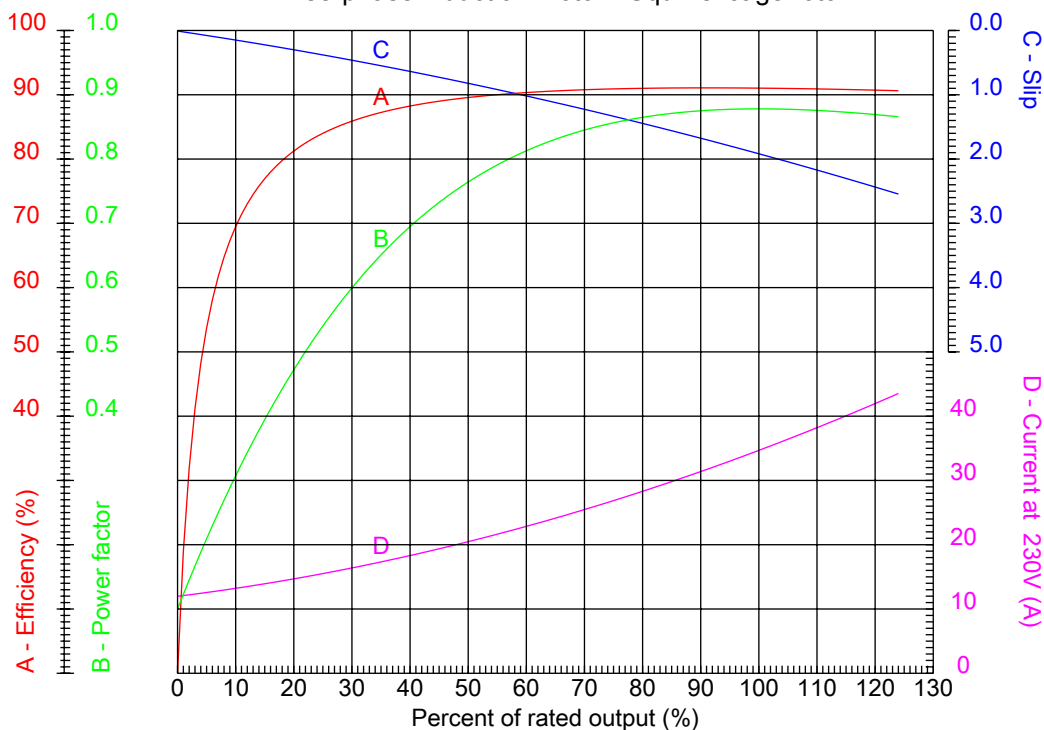


No.:

Date: 17-DEC-2012

### PERFORMANCE CURVES RELATED TO RATED OUTPUT

Three-phase induction motor - Squirrel cage rotor



Customer :  
Product line : W22 NEMA Premium - Ball Bearings

Frame	: 254T	Locked rotor current (I <sub>l</sub> /I <sub>n</sub> )	: 6.8
Output	: 15 HP	Duty cycle	: S1
Frequency	: 60 Hz	Service factor	: 1.25
Full load speed	: 3530	Design	: B
Voltage	: 208-230/460 V	Locked rotor torque	: 220 %
Rated current	: 37.6-34.4/17.2 A	Breakdown torque	: 270 %
Insulation class	: F		

Notes:

Performed by

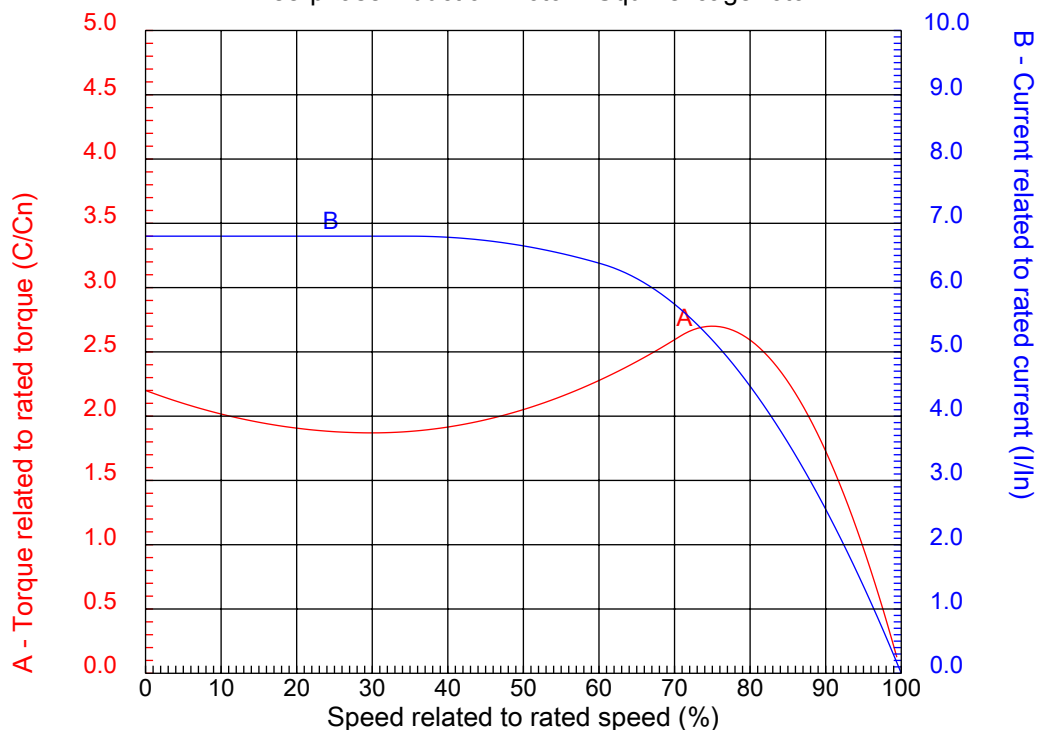
Checked



No.:

Date: 17-DEC-2012

### CHARACTERISTIC CURVES RELATED TO SPEED Three-phase induction motor - Squirrel cage rotor



Customer :  
Product line : W22 NEMA Premium - Ball Bearings

Frame	: 254T	Locked rotor current (I <sub>l</sub> /I <sub>n</sub> )	: 6.8
Output	: 15 HP	Duty cycle	: S1
Frequency	: 60 Hz	Service factor	: 1.25
Full load speed	: 3530	Design	: B
Voltage	: 208-230/460 V	Locked rotor torque	: 220 %
Rated current	: 37.6-34.4/17.2 A	Breakdown torque	: 270 %
Insulation class	: F		

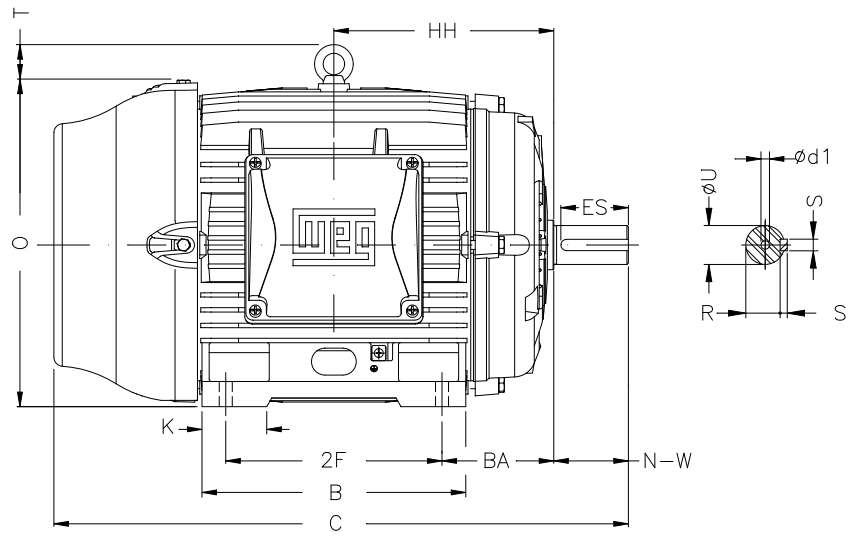
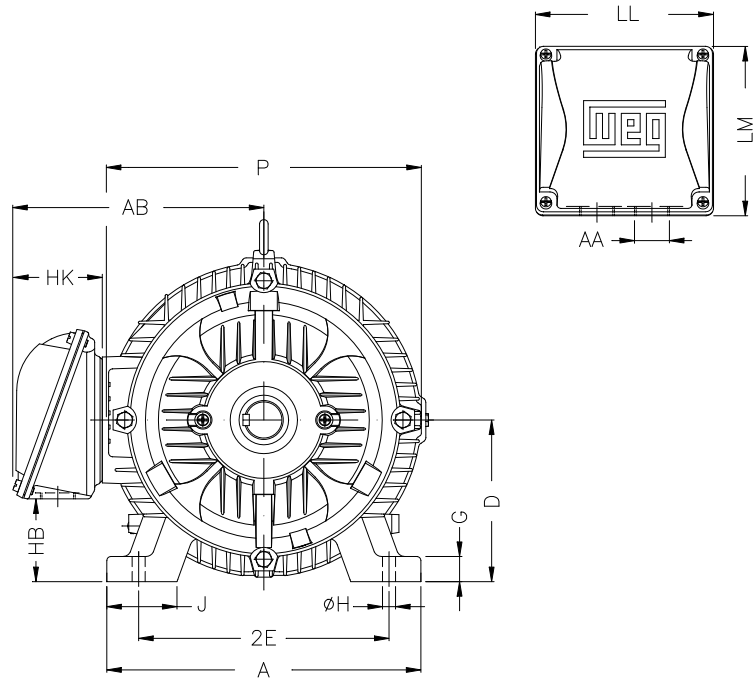
Notes:

Performed by

Checked

1 2 3 4 5 6 7 8

A  
B  
C  
D  
E  
F



2E	J	A	P	AB
10.000	2.539	12.126	12.953	10.394
2F	K	B	BA	U
8.252	2.559	10.000	4.250	1.625
N-W	ES	S	R	depth
4.000	2.756	0.375	1.406	0.375
D	G	HB	O	T
6.250	0.827	3.061	12.598	2.087
HF	HH	HK	H	C
6.565	8.376	3.937	0.531	23.213
LL	LM	AA	d1	d2
7.795	7.402	NPT 1 1/2"	A 4	A 4
Flange	AJ	AK	BD	BF
FD-317	12.500	11.000	14.00	0.828
BB				
0.203				

Notes:

Performed by:

Checked:

Customer:

W22 NEMA Premium - Ball Bearings

Three-phase induction motor  
Frame 254T - IP55

17-DEC-2012

