



No.:

Date: 17-DEC-2012

Customer :

TECHNICAL PROPOSAL

Three-phase induction motor - Squirrel cage rotor

Product line : W22 NEMA Premium - Ball Bearings

Catalog Number : 10009ET3G445T-W22

List Price : \$26,988

Notes:

Performed by:

Checked:



No.:

Date: 17-DEC-2012

DATA SHEET

Three-phase induction motor - Squirrel cage rotor

Customer :
Product line : W22 NEMA Premium - Ball Bearings

Frame : 444/5T
Output : 100 HP
Frequency : 60 Hz
Poles : 8
Full load speed : 890
Slip : 1.11 %
Voltage : 460 V
Rated current : 127 A
Locked rotor current : 762 A
Locked rotor current (I_L/I_n) : 6.0
No-load current : 56.0 A
Full load torque : 582 lb.ft
Locked rotor torque : 190 %
Breakdown torque : 220 %
Design : B
Insulation class : F
Temperature rise : 80 K
Locked rotor time : 15 s (hot)
Service factor : 1.25
Duty cycle : S1
Ambient temperature : -20°C - +40°C
Altitude : 1000
Degree of Protection : IP55
Approximate weight : 1599 lb
Moment of inertia : 87.260 sq.ft.lb
Noise level : 63 dB(A)

	D.E.	N.D.E.	Load	Power factor	Efficiency (%)
Bearings	6319 C3	6316 C3	100%	0.79	94.1
Regreasing interval	17000 h	20000 h	75%	0.74	94.1
Grease amount	45 g	34 g	50%	0.63	93.6

Notes:

Performed by

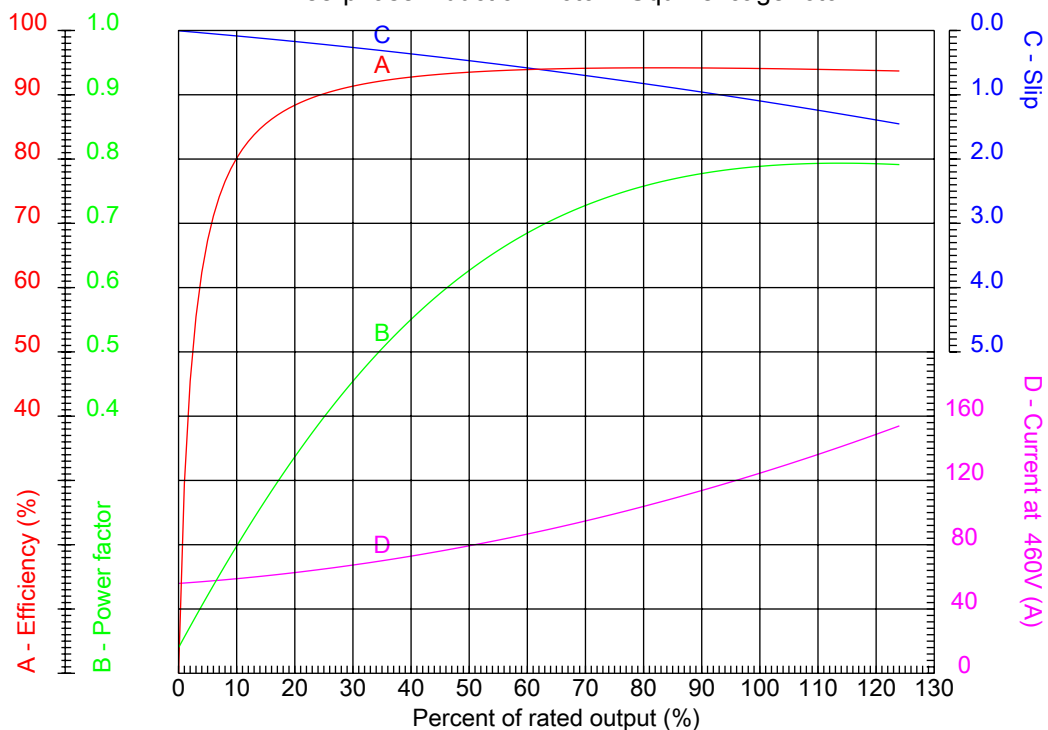
Checked



No.:

Date: 17-DEC-2012

PERFORMANCE CURVES RELATED TO RATED OUTPUT
Three-phase induction motor - Squirrel cage rotor



Customer :
Product line : W22 NEMA Premium - Ball Bearings

Frame	: 444/5T	Locked rotor current (I _l /I _n)	: 6.0
Output	: 100 HP	Duty cycle	: S1
Frequency	: 60 Hz	Service factor	: 1.25
Full load speed	: 890	Design	: B
Voltage	: 460 V	Locked rotor torque	: 190 %
Rated current	: 127 A	Breakdown torque	: 220 %
Insulation class	: F		

Notes:

Performed by

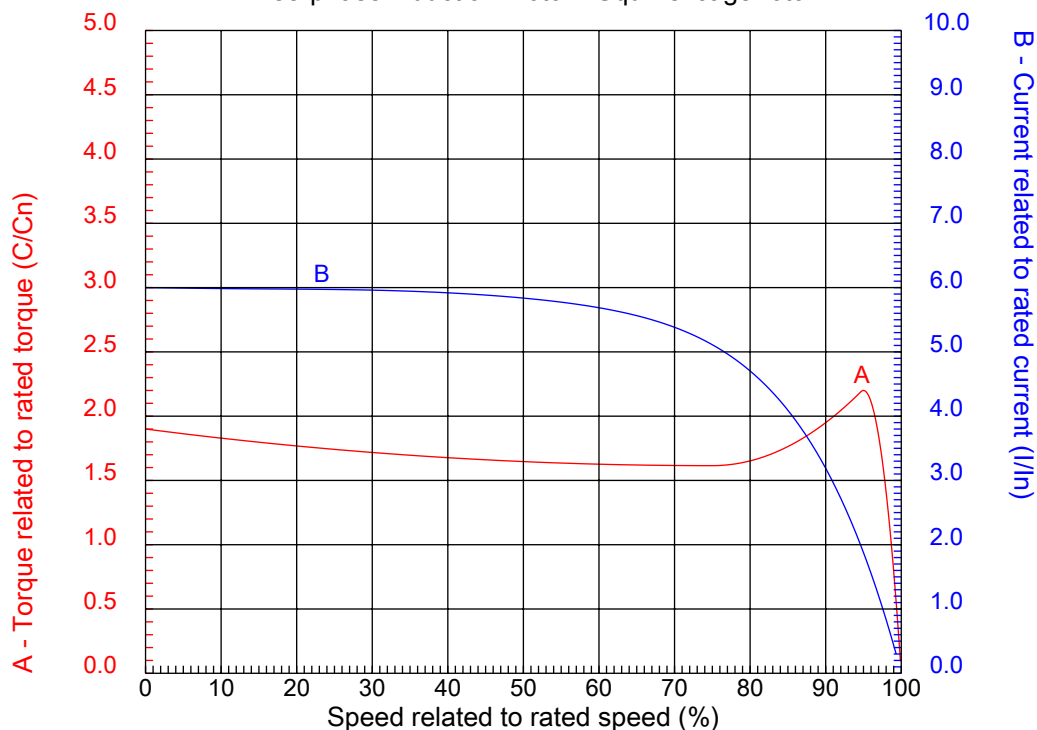
Checked



No.:

Date: 17-DEC-2012

CHARACTERISTIC CURVES RELATED TO SPEED Three-phase induction motor - Squirrel cage rotor



Customer :
Product line : W22 NEMA Premium - Ball Bearings

Frame	: 444/5T	Locked rotor current (I _l /I _n)	: 6.0
Output	: 100 HP	Duty cycle	: S1
Frequency	: 60 Hz	Service factor	: 1.25
Full load speed	: 890	Design	: B
Voltage	: 460 V	Locked rotor torque	: 190 %
Rated current	: 127 A	Breakdown torque	: 220 %
Insulation class	: F		

Notes:

Performed by

Checked

1 2 3 4 5 6 7 8

A

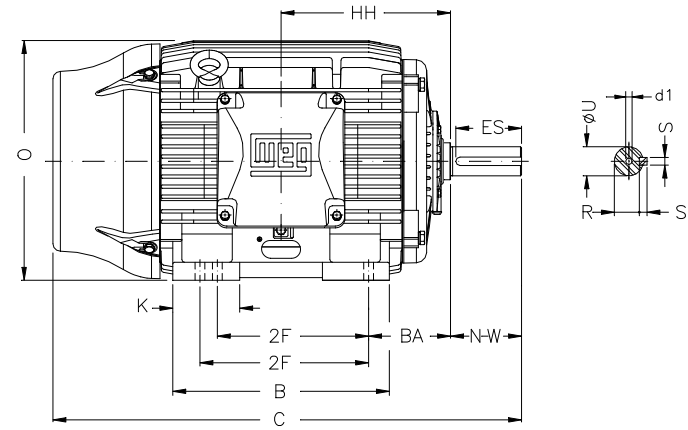
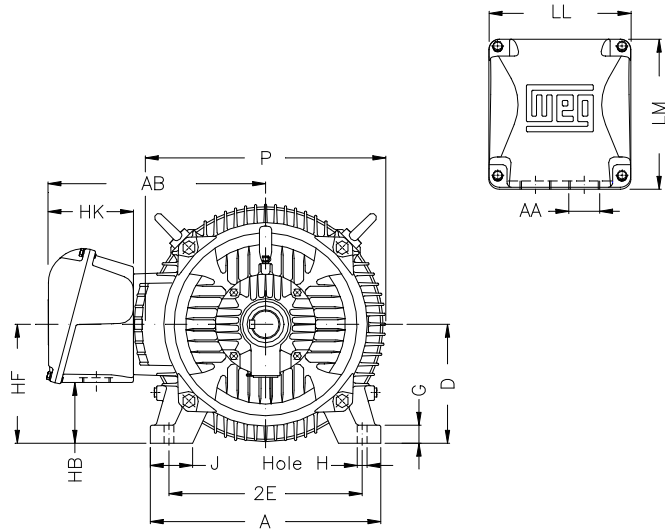
B

C

D

E

F



Notes:

Performed by:

Checked:

Customer:

W22 NEMA Premium - Ball Bearings

Three-phase induction motor
Frame 444/5T - IP55

17-DEC-2012



2E 18.000	J 3.937	A 21.929	P 23.583	AB 18.569
2F 14.500/16.500	K 5.866	B 20.315	BA 7.500	U 3.375
N-W 8.500	ES 7.087	S 0.875	R 2.880	depth 0.875
D 11.000	G 1.630	HB 5.394	O 22.795	T 4.567
HH 15.748	HK 6.024	H 0.810	C 44.950	LL 12.362
LM 12.244	AA 2XNPT 3"	d1 DUNC 3/4"-10	d2 DUNC 3/4"-10	Flange FD-508
AJ 20.000	AK 18.000	BD 21.65	BF 0.828	BB 0.203