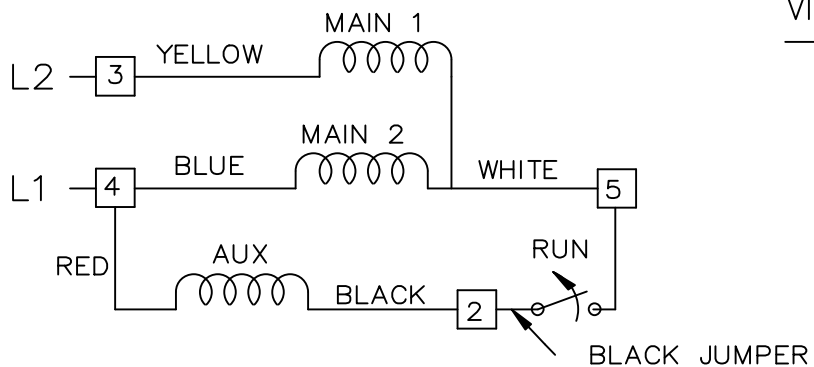



SINGLE HIGH VOLTAGE CAPACITOR START
REVERSIBLE ON TERM BOARD
NO OVERLOAD PROTECTION



VIEWING TERM END

CCW ROTATION SHOWN
TO REVERSE ROTATION INTERCHANGE
RED LEAD WITH BLACK LEAD

				TOLERANCES UNLESS SPECIFIED		 REGAL-BELOIT CORPORATION	DRAWN TJW 6/28/2010			
				DEC.	INCHES		CHK CTO 6/28/2010			
				.X	± -		APPD EH 6/28/2010			
				.XX	± -		SCALE			
				.XXX	± -		REF			
				.XXXX	± -	MAT'L.	FMF ISAAC10-2159			
NO.	REVISION	BY & DATE	CHK	ANG	± -	FINISH	PREV			
THIS DRAWING IN DESIGN AND DETAIL IS OUR PROPERTY AND MUST NOT BE USED EXCEPT IN CONNECTION WITH OUR WORK ALL RIGHTS OF DESIGN AND INVENTION ARE RESERVED THIS IS AN ELECTRONICALLY GENERATED DOCUMENT - DO NOT SCALE THIS PRINT				RFP	6/28/2010	CAD FILE EE7195AS	SIZE A	DRAWING NO. EE7195AS	PAGE OF	REV.
				DIST						