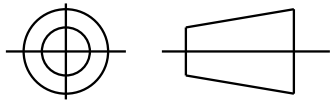


THIRD ANGLE PROJECTION

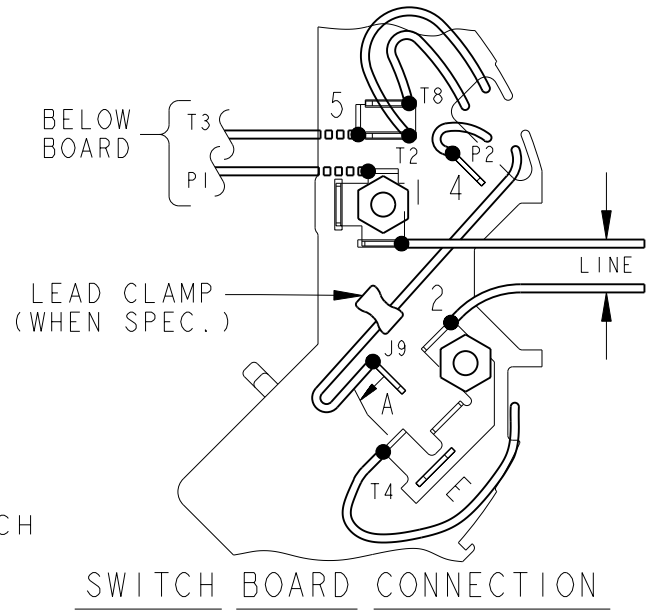
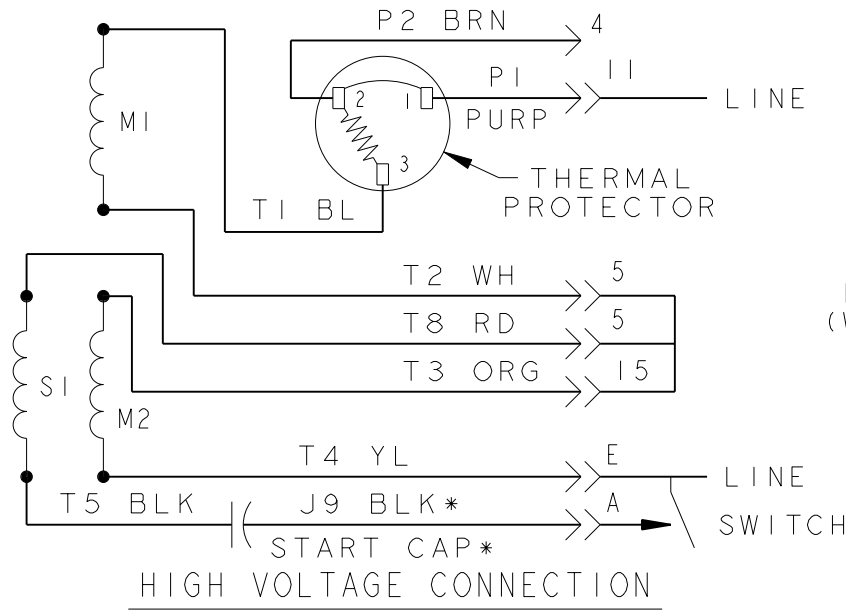
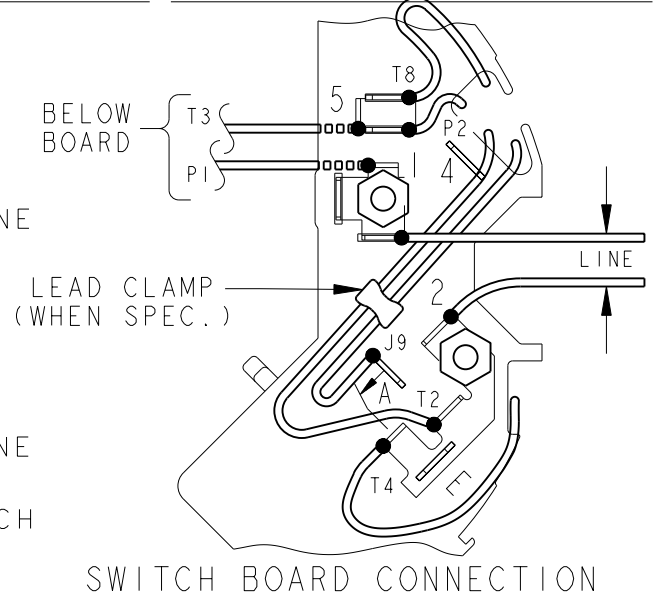
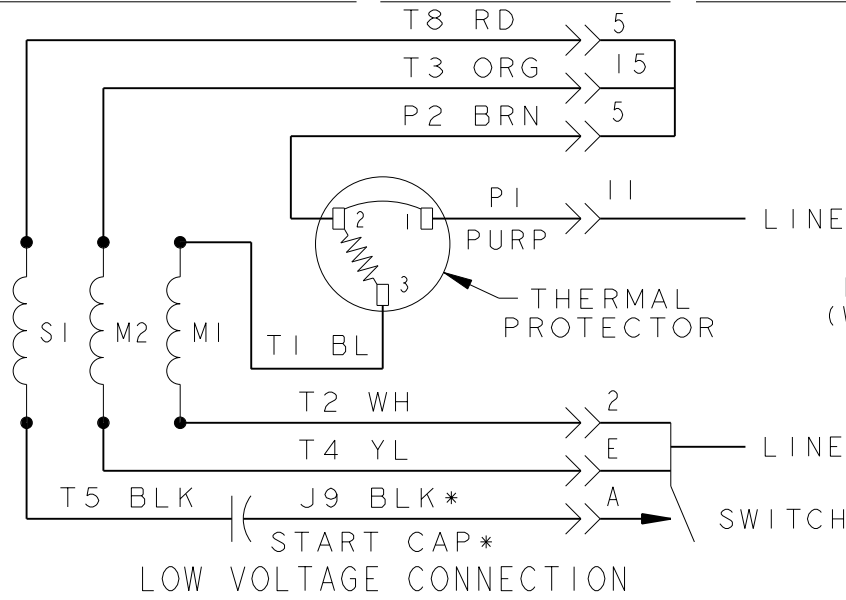


REVISIONS

REV.	DESCRIPTION	DATE	APPROVED
4	UPDATED PER IS07-0150	01/23/07	MADHU

EITHER ROTATION, DUAL VOLTAGE, TYPE KC OR KH, WITH THERMAL PROTECTION

52A105383AA



NOTE #1 - START CAP & J9 WHEN SPECIFIED (*). IF NO CAPACITOR (KH), CONNECT T5 DIRECTLY TO SWITCH (A). WHEN MORE THAN ONE CAPACITOR IS USED, CONNECT IN PARALLEL.

NOTE #2 - TO REVERSE ROTATION, INTERCHANGE RD(T8) AND BLK(J9-KC OR T5-KH) LEADS.

SWITCH REF. - 115D958AB

CONNECTION LABEL - NP52X332051AA

SIGNATURES		DATE
MODEL	M. D. PAPE	06/29/87
DETAIL	.	.
CHECKED	.	.
ENGRG	.	.
MFG	.	.
FOR ADDITIONAL INFO REFER TO:	QUALITY	.
APPLIED PRACTICES	ISSUED	M. D. P. 03/26/96
DIMENSIONS ARE IN INCHES ✓	SOLID MODEL: 52A105383AA	

REGAL-BELOIT CORPORATION

REGAL-BELOIT

TITLE: **CONNECTION DIAGRAM**

FMF: **30 FRAME SWITCH REDESIGN**

SIZE: DRAWING **A**

52A105383AA

SCALE: 1.000 REF. No: . SHEET 1 of 1

REV 4