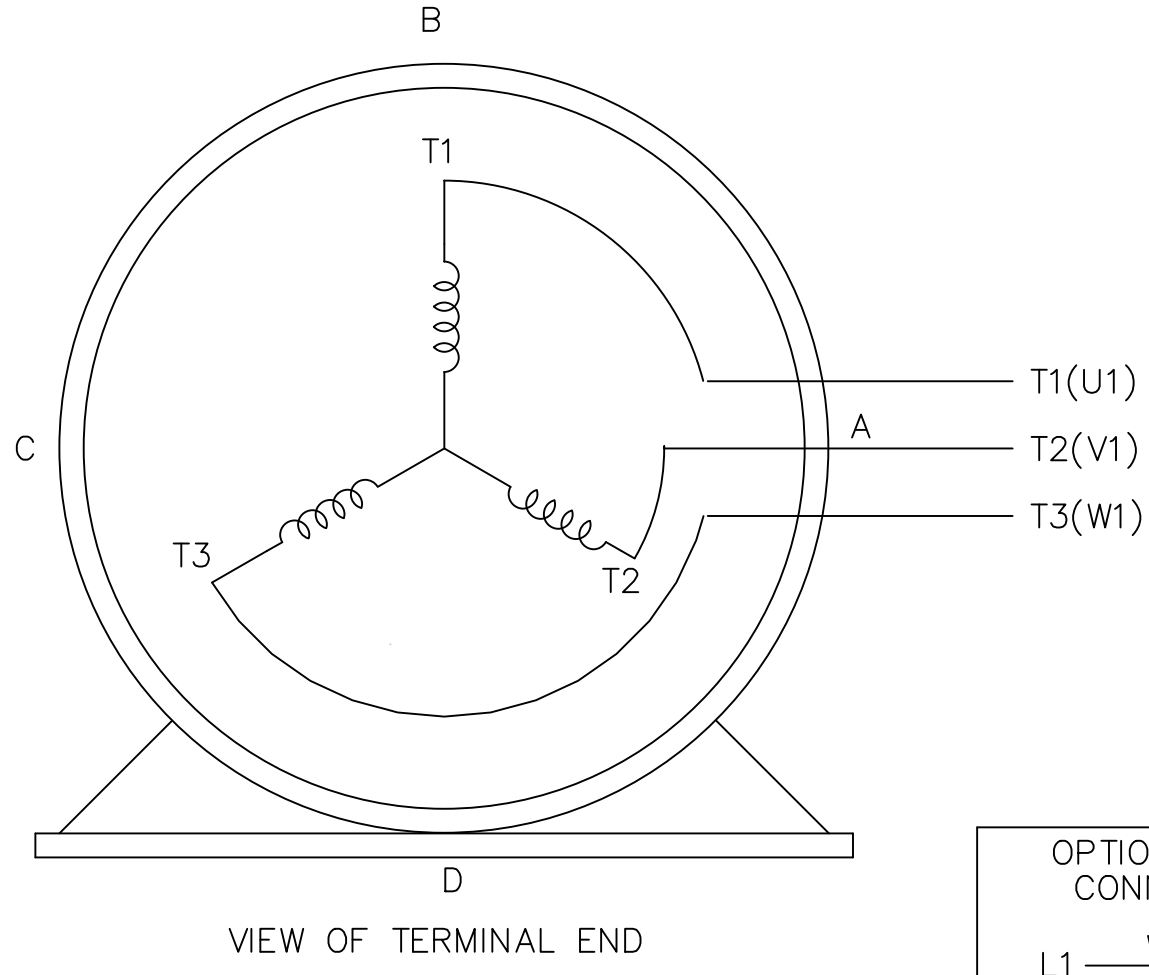
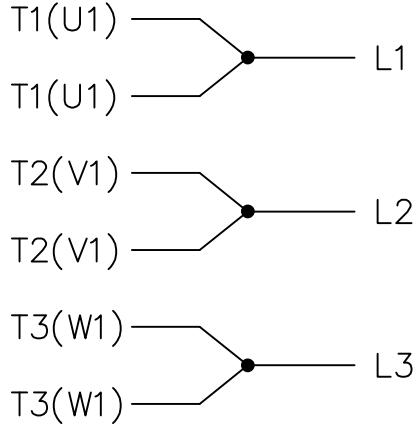


THREE PHASE – SINGLE VOLTAGE
MOTOR – CONDUIT BOX @ 'A'

TO REVERSE ROTATION:
INTERCHANGE ANY TWO LINE
LEAD CONNECTIONS



IF MOTOR HAS
6 LEADS



A-9806 DECAL

OPTIONAL CORD
CONNECTION

- L1 _____ WHITE
- L2 _____ RED
- L3 _____ BLACK

| | | | | TOLERANCES UNLESS SPECIFIED | | MARATHON ELECTRIC | DRAWN DA 03-26-1993 | | | |
|--|---------------------------|---------------|----------------|--------------------------------|-----------------|--|---------------------|--------------------|------------|---------|
| | | | | DEC. | INCHES | | CHK ML 03-26-1993 | | | |
| | | | | .X | ±.1 | | APPD TB 03-26-1993 | | | |
| 15 | ADDED IEC REFERENCE CODES | MU60881 | TAT 09-22-2004 | ML .XX | ±.02 | TITLE CONNECTION DIAGRAM SINGLE VOLT - 3Ø MOTOR | SCALE 1=1 | | | |
| 14 | ADDED CORD VIEW | CN 29200-3103 | TJB 07-28-2003 | ML .XXX | ±.005 | | REF | | | |
| 13 | REDRAWN - NO CHANGE | | DA 03-26-1993 | .XXXX | ±.0005 | MAT'L. | FMF | | | |
| NO. | REVISION | BY & DATE | CHK | ANG | ±7'30" | FINISH | PREV | | | |
| THIS DRAWING IN DESIGN AND DETAIL IS OUR PROPERTY AND MUST NOT BE USED EXCEPT IN CONNECTION WITH OUR WORK ALL RIGHTS OF DESIGN AND INVENTION ARE RESERVED THIS IS AN ELECTRONICALLY GENERATED DOCUMENT - DO NOT SCALE THIS PRINT | | | | RFP | CAD FILE ee7300 | | SIZE A | DRAWING NO. EE7300 | PAGE OF 15 | REV. 15 |
| | | | | DIST | | | | | | |