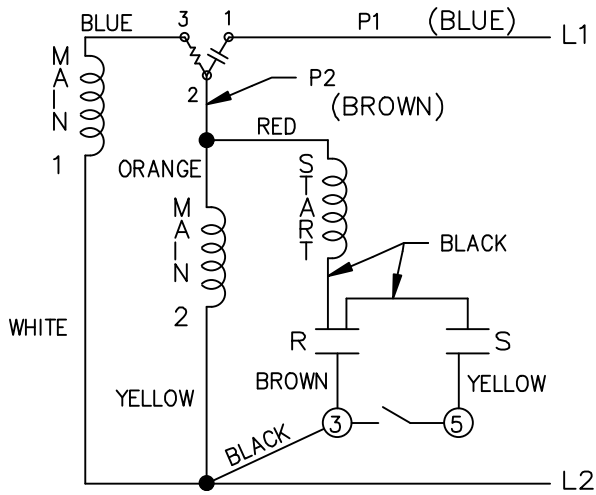
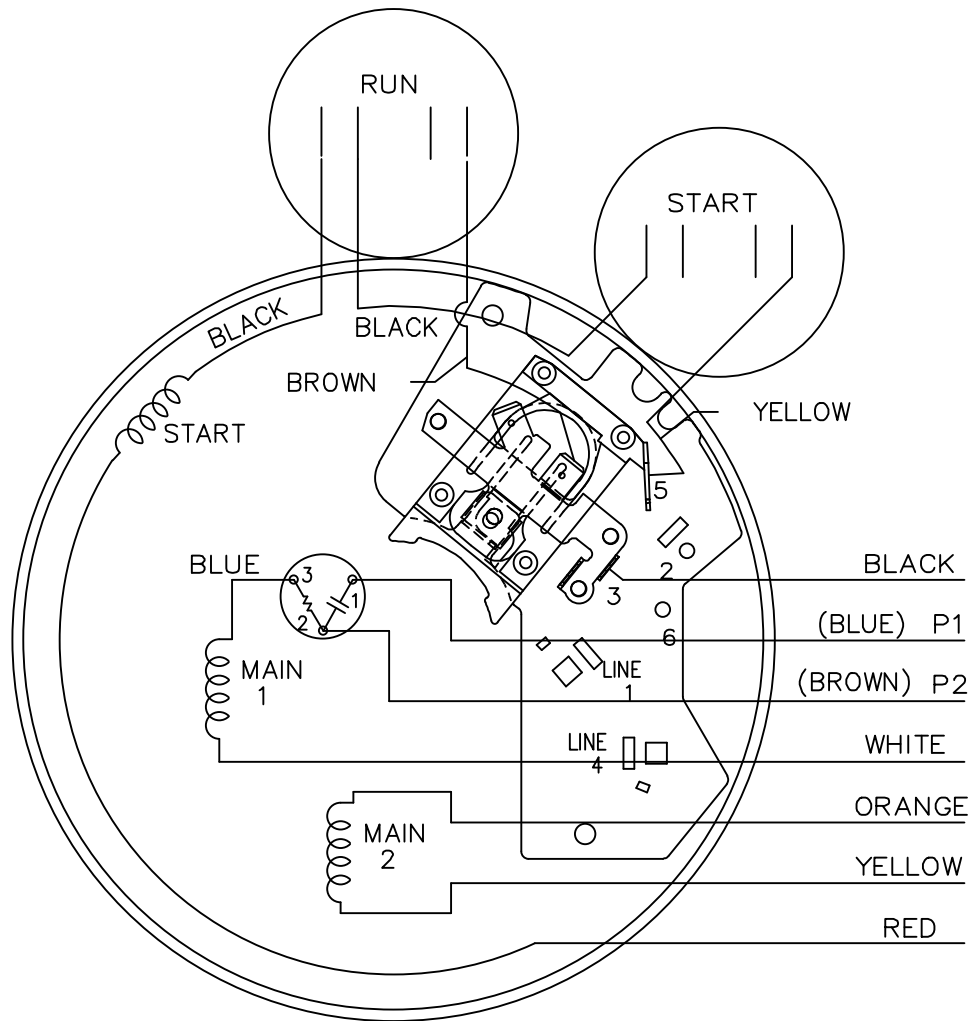
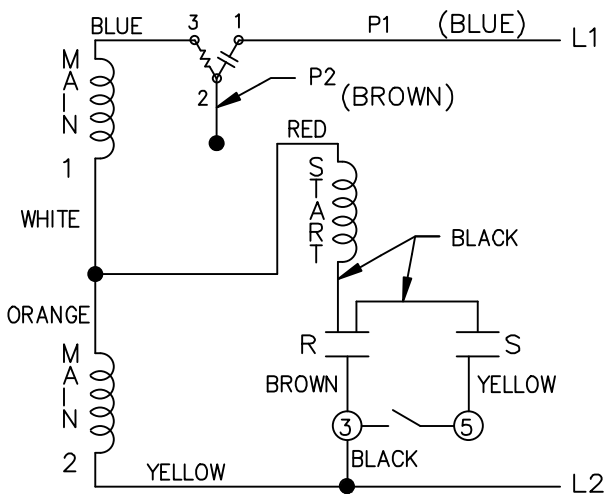


LOW VOLTAGE C.C.W.

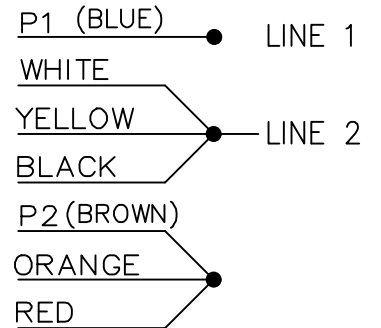


HIGH VOLTAGE C.C.W.

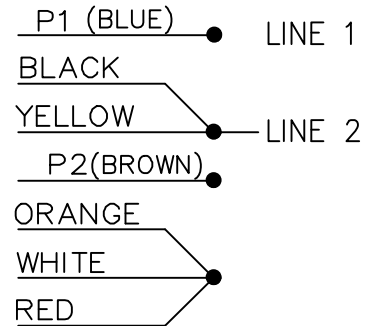


DUAL VOLTAGE  
CAP. START-CAP. RUN  
OVERLOAD SELECT  
ROTATION.

LOW VOLT. CCW ROT.



HIGH VOLT. CCW ROT.



FOR CW ROT. EITHER  
VOLTAGE INTERCHANGE  
RED WITH BLACK LEAD.

				TOLERANCES UNLESS SPECIFIED		DRAWN AJS 01-18-1995
				DEC.	INCHES	
				.X	±.1	APPD ET 01-20-1995
3	ADDED COLOURS TO P1 & P2 ISAAC 12-3060	PVR 08-01-12	SVL	.XX	±.02	SCALE 5=8
2	ADDED WIRE COLOR TO P1 AND P2 ISAAC 12-3060	WGJ 06-26-2012	DD	.XXX	±.005	REF
1	NEW DRAWING 4237342	AJS 01-20-1995		.XXXX	±.0005	FMF
NO.	REVISION	BY & DATE	CHK	ANG	±7'30"	PREV
THIS DRAWING IN DESIGN AND DETAIL IS OUR PROPERTY AND MUST NOT BE USED EXCEPT IN CONNECTION WITH OUR WORK ALL RIGHTS OF DESIGN AND INVENTION ARE RESERVED THIS IS AN ELECTRONICALLY GENERATED DOCUMENT - DO NOT SCALE THIS PRINT				RFP	CAD FILE 102006-95	SIZE A
				DIST WP		DRAWING NO. 102006-95
						PAGE 3 OF 3

