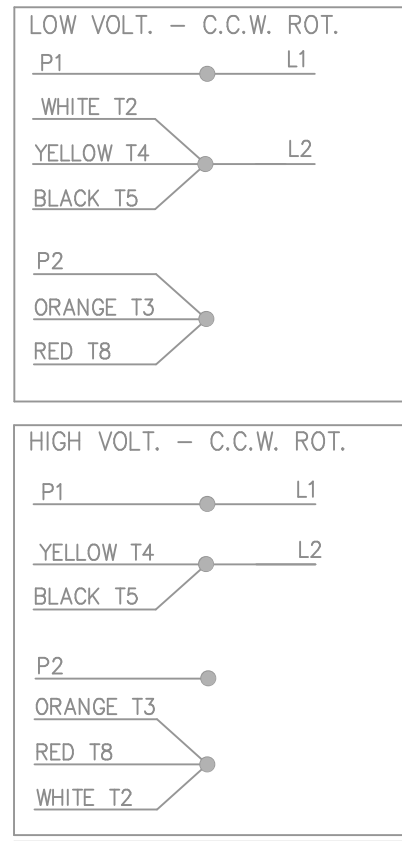
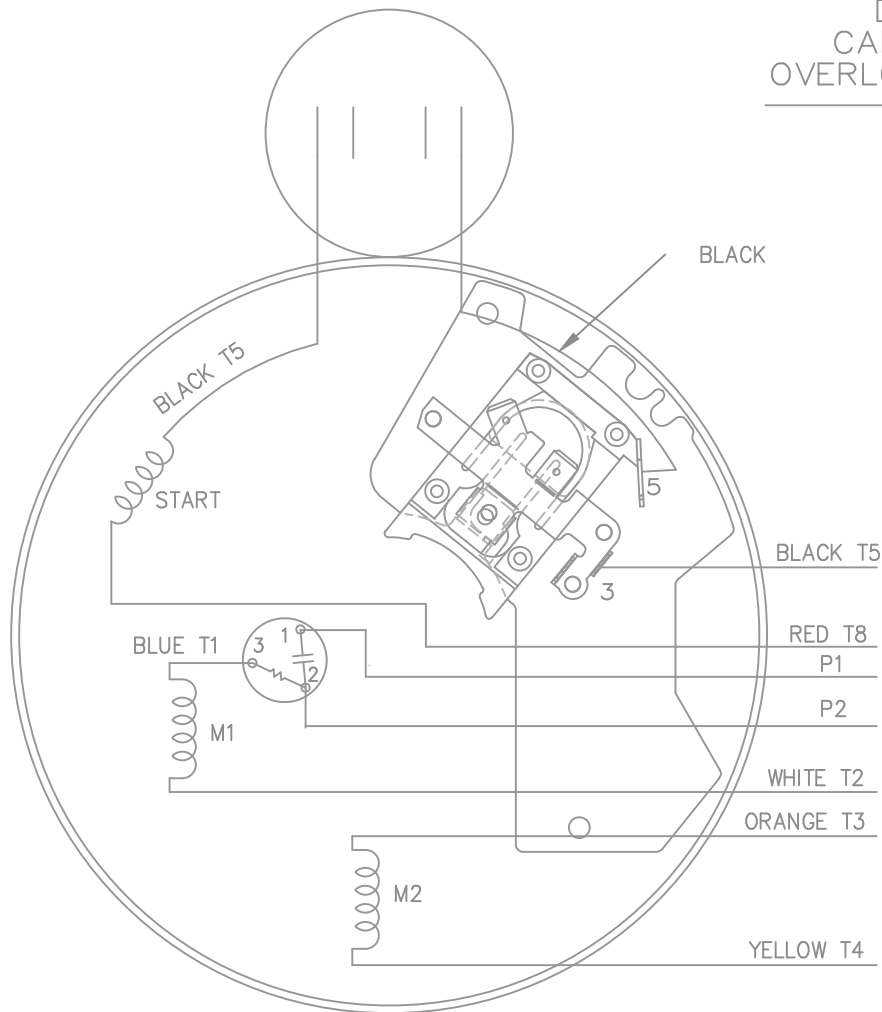
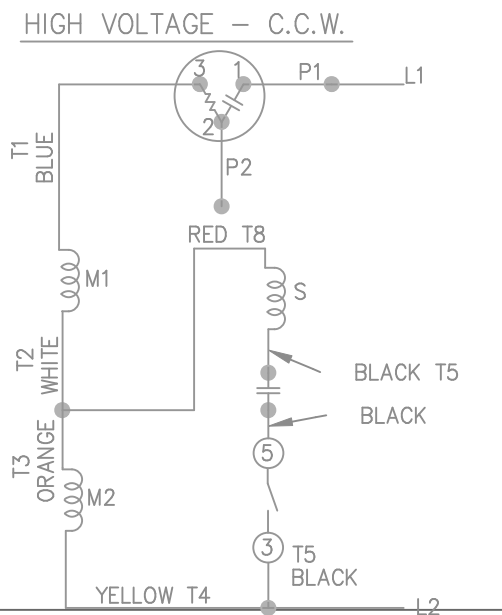
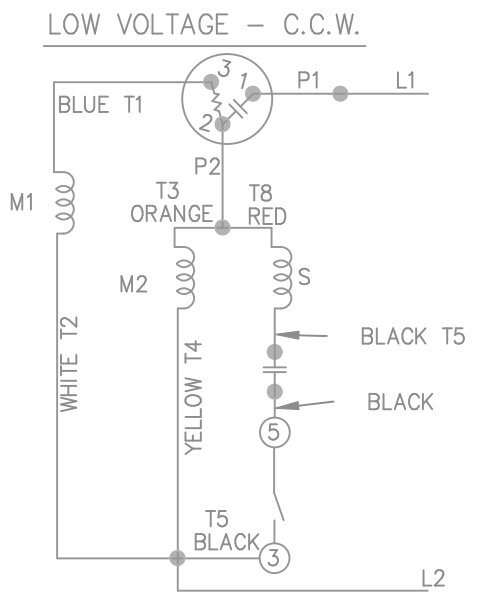


DUAL VOLTAGE  
CAPACITOR START  
OVERLOAD SELECT ROT.



FOR C.W. ROTATION  
EITHER VOLTAGE  
INTERCHANGE RED(T8)  
WITH BLACK(T5) LEAD

				TOLERANCES UNLESS SPECIFIED		MARATHON ELECTRIC	DRAWN PGK 07-16-1996			
				DEC.	INCHES		CHK MRB 07-18-1996	APPD GK 07-18-1996		
				.X	±.1	TITLE CONNECTION DIAGRAM	SCALE 5=8			
4	REV'D CONNECTION TO MATCH ROTATION ISAAC 07-2021	JJB 09/05/2007	ML	.XX	±.02		REF			
3	ADDED T NO.'S MU16064	MH 08-09-1997		.XXX	±.005		FMF			
2	REDRAWN ON CADD, NO CHANGES	PGK 07-18-1996		.XXXX	±.0005	MAT'L.	PREV			
NO.	REVISION	BY & DATE	CHK	ANG	±'	FINISH				
THIS DRAWING IN DESIGN AND DETAIL IS OUR PROPERTY AND MUST NOT BE USED EXCEPT IN CONNECTION WITH OUR WORK ALL RIGHTS OF DESIGN AND INVENTION ARE RESERVED THIS IS AN ELECTRONICALLY GENERATED DOCUMENT - DO NOT SCALE THIS PRINT				RFP		CAD FILE 102005_84	SIZE A	DRAWING NO. 102005-84	PAGE OF 4	REV. 4
				DIST	WP					