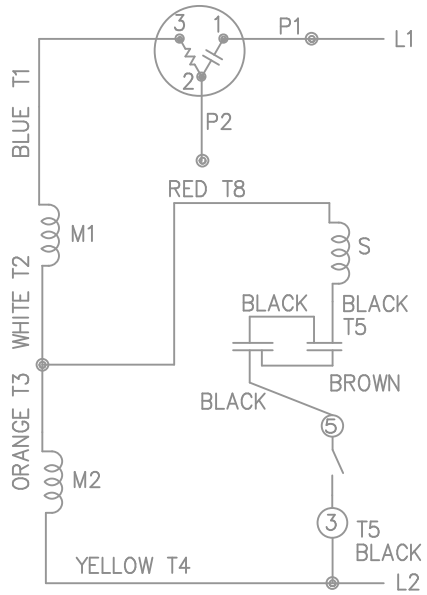
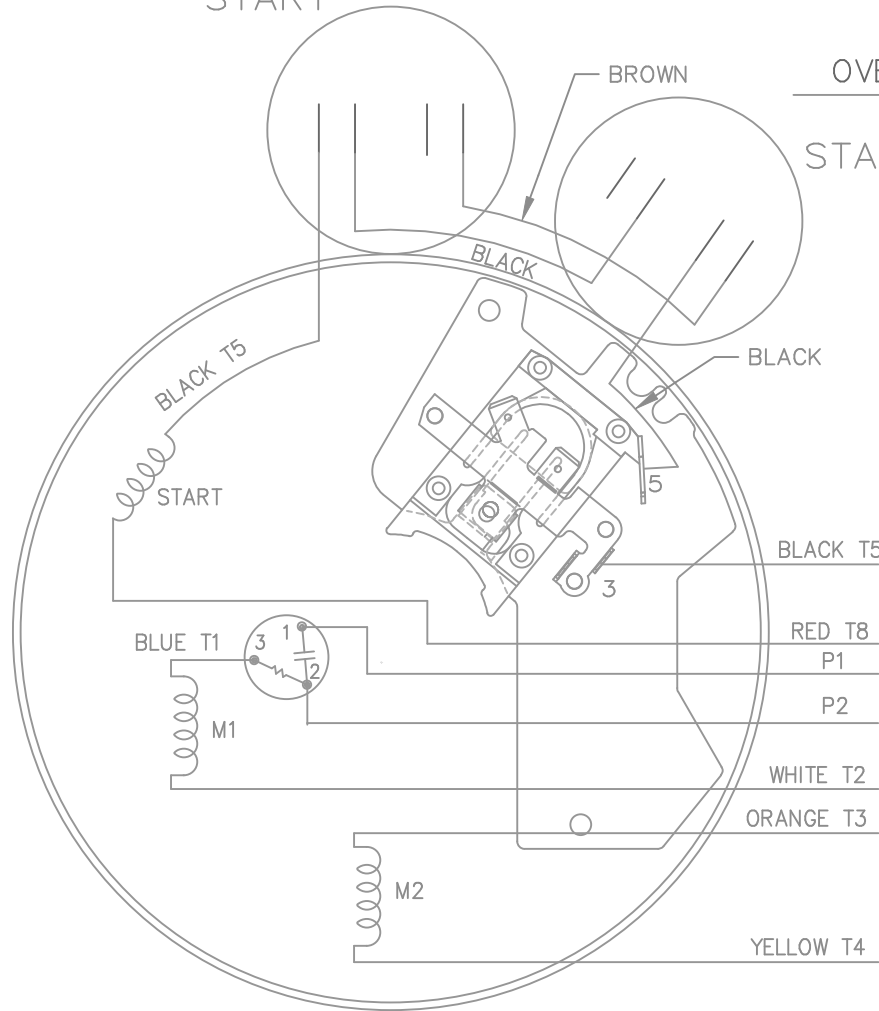


HIGH VOLTAGE - C.C.W.



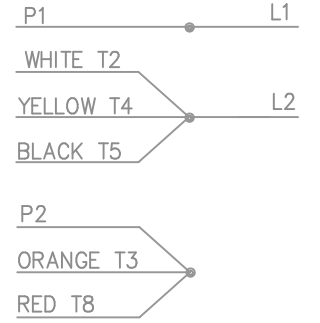
START



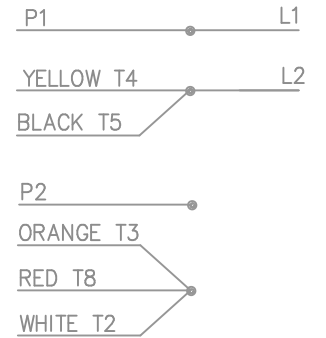
DUAL VOLTAGE  
CAPACITOR START  
OVERLOAD SELECT ROT.

START

LOW VOLT. - C.C.W. ROT.



HIGH VOLT. - C.C.W. ROT.



FOR C.W. ROTATION  
EITHER VOLTAGE  
INTERCHANGE RED(T8)  
WITH BLACK(T5) LEAD

				TOLERANCES UNLESS SPECIFIED		MARATHON ELECTRIC	DRAWN MJD 02-11-1998					
				DEC.	INCHES		CHK	ML	02-19-1998			
				.X	± -	TITLE CONNECTION DIAGRAM	APPD	DAR	02-23-1998	SCALE	5=8	
2	REISSUE - CLARIFIED JUNCTION OF WHITE T2, BLACK T5 AND YELLOW T4 ON THE LOW VOLTAGE DIAGRAM	MSG 06-26-2007	ST	.XXX	± -		MAT'L.	REF				
1	NEW DRAWING MU18593	MJD 02-23-1998		.XXXX	± -		FINISH	FMF				
NO.	REVISION	BY & DATE	CHK	ANG	± -		PREV					
THIS DRAWING IN DESIGN AND DETAIL IS OUR PROPERTY AND MUST NOT BE USED EXCEPT IN CONNECTION WITH OUR WORK ALL RIGHTS OF DESIGN AND INVENTION ARE RESERVED THIS IS AN ELECTRONICALLY GENERATED DOCUMENT - DO NOT SCALE THIS PRINT				RFP		CAD FILE 102005_109	SIZE	DRAWING NO.	PAGE	OF	REV.	
				DIST	WP		A	102005-109			2	