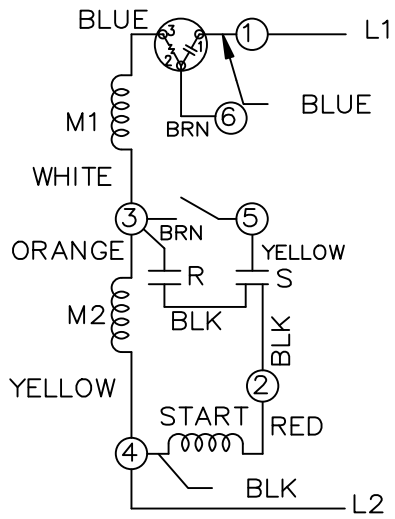
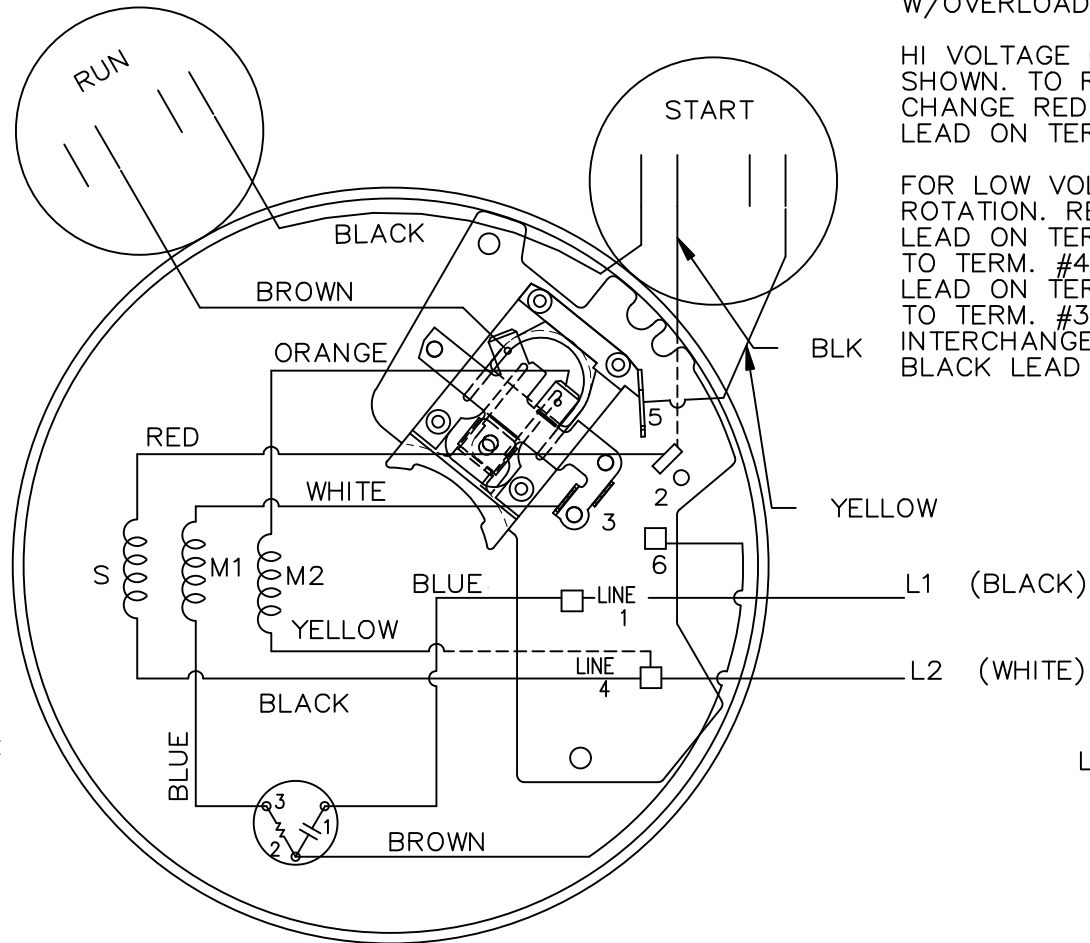
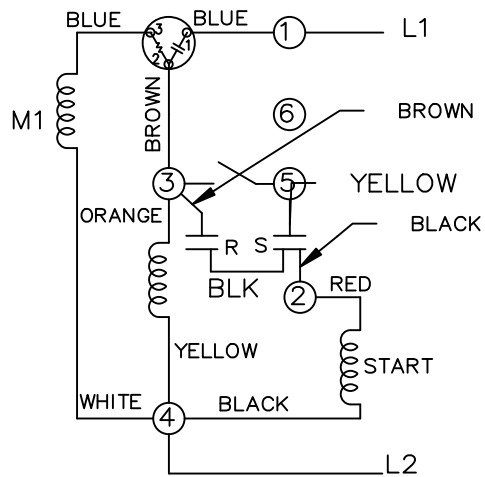


HIGH VOLTAGE C.C.W.



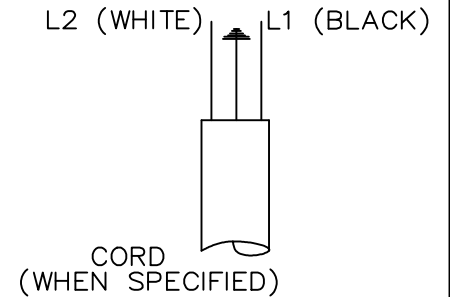
LOW VOLTAGE C.C.W.



DUAL VOLTAGE CAPACITOR
START, CAPACITOR RUN
W/OVERLOAD AND SELECT ROTATION

HI VOLTAGE C.C.W. ROTATION
SHOWN. TO REVERSE INTER-
CHANGE RED WITH BLACK
LEAD ON TERMS. 2 & 4.

FOR LOW VOLTAGE C.C.W.
ROTATION. REMOVE WHITE
LEAD ON TERM. #3 & ATTACH
TO TERM. #4. REMOVE BROWN
LEAD ON TERM. #6 ATTACH
TO TERM. #3. TO REVERSE
INTERCHANGE RED WITH
BLACK LEAD ON TERMS. 2 & 4.



		TOLERANCES UNLESS SPECIFIED		MARATHON ELECTRIC		DRAWN PGK 08-26-1996			
		DEC.	INCHES			CHK ML 09-05-1996			
		.X	±.1	TITLE CONNECTION DIAGRAM		APPD GK 09-05-1996			
		.XX	±.02			SCALE 5=8			
7	UPDATED PER IS11-3490	PN 8/31/2011	VC .XXX ±.005			REF			
6	REDRAWN ON CADD	PGK 09-05-1996	.XXXX ±.0005	MAT'L.	FMF				
NO.	REVISION	BY & DATE	CHK ANG ±7'30"	FINISH	PREV				
THIS DRAWING IN DESIGN AND DETAIL IS OUR PROPERTY AND MUST NOT BE USED EXCEPT IN CONNECTION WITH OUR WORK ALL RIGHTS OF DESIGN AND INVENTION ARE RESERVED THIS IS AN ELECTRONICALLY GENERATED DOCUMENT - DO NOT SCALE THIS PRINT				RFP	CAD FILE 102006_3	SIZE A	DRAWING NO. 102006-2	PAGE OF 7	REV. 7
				DIST WP					