

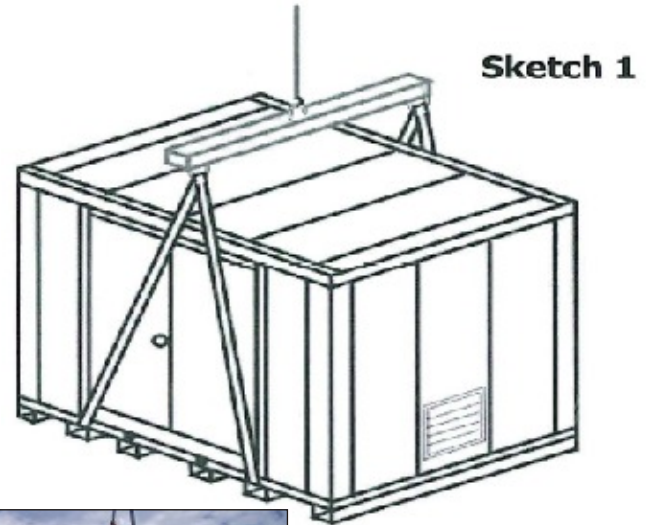
Off-Loading Building

Always ensure that your lifting equipment is suitable for moving your building. To safely unload your storage building from the freight truck we suggest following instructions.



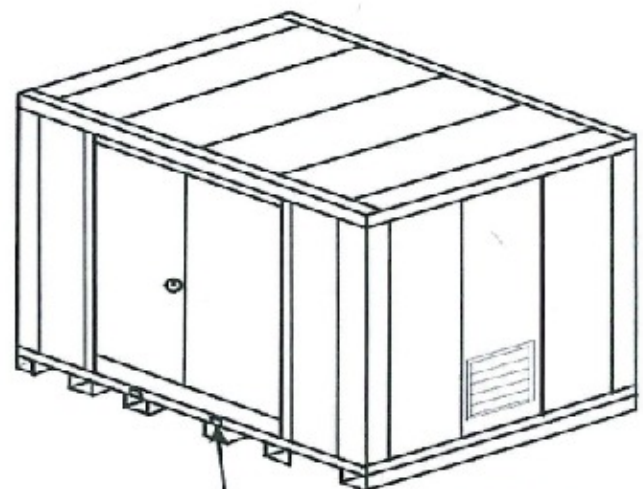
Crane:

Use an adjustable spreader bar and set the bar wider than the building. Using nylon straps attach the spreader bar through the channels of the building. Position straps through the lifting channels so that they are roughly spaced the same distance throughout. This ensures the middle of the building has enough support. Cables are to be used from the crane hook to spreader bar.



Forklift:

Place forks into channels identified by labels. Lift simultaneously with appropriate number of forklifts. Reference Sketch 2 for label identification.



* Customer is responsible for off-loading of building.