

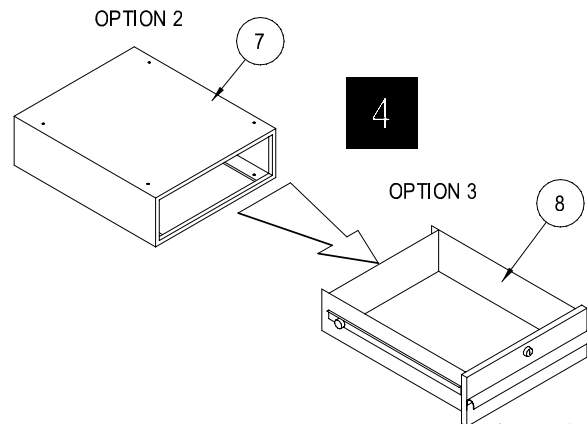
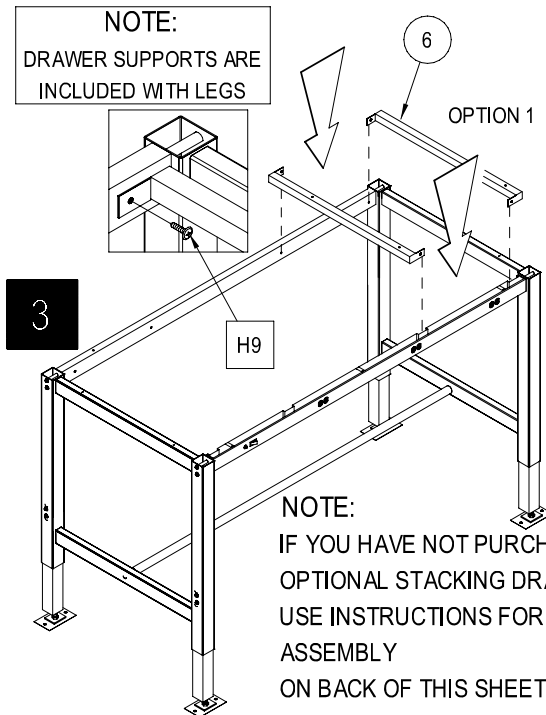
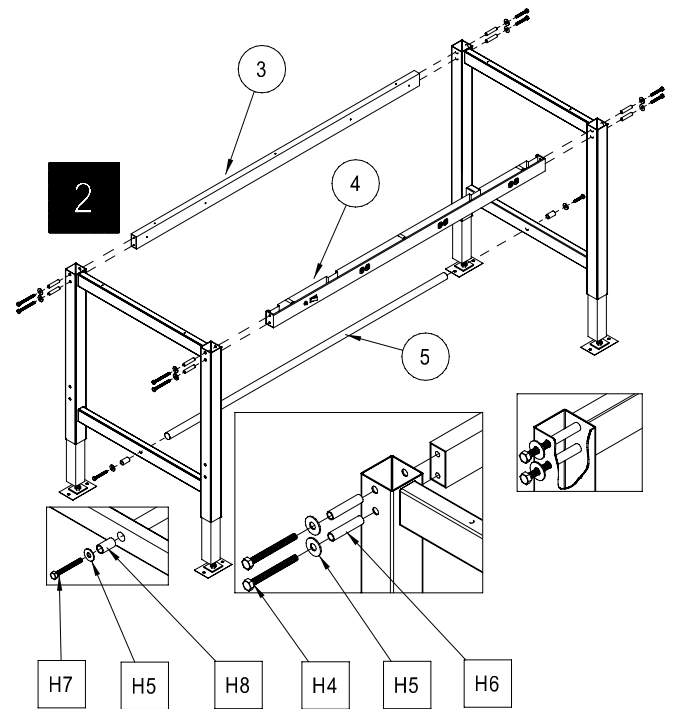
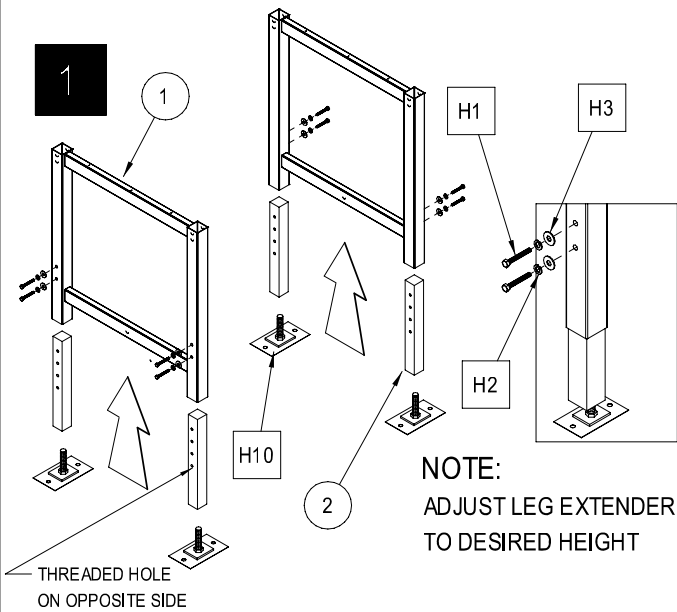
www.globalindustrial.com
1-800-645-2986

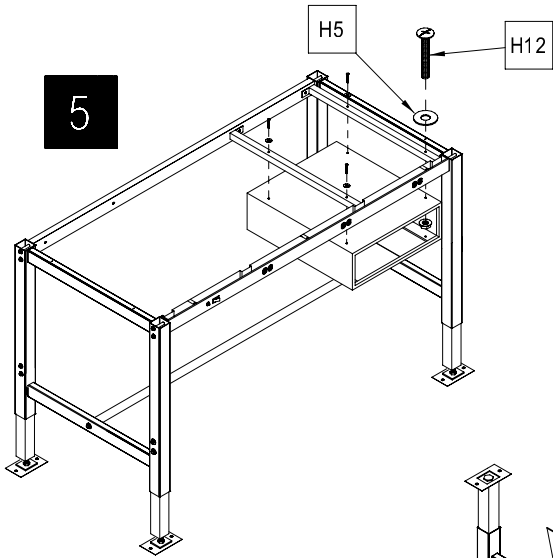
ADJUSTABLE HEIGHT WORKBENCH WITH ELECTRICAL STRINGER OPTIONAL DRAWER

ASSEMBLY INSTRUCTION

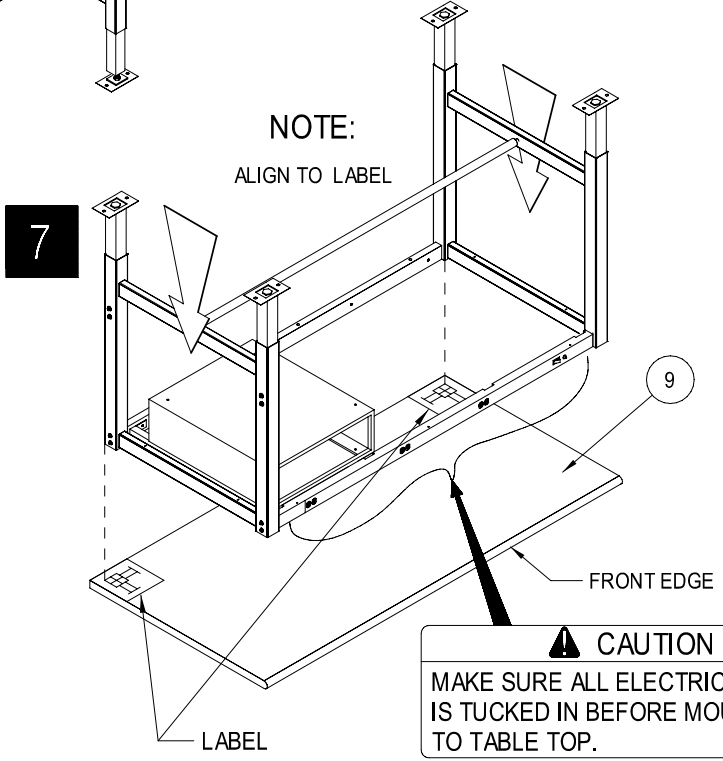
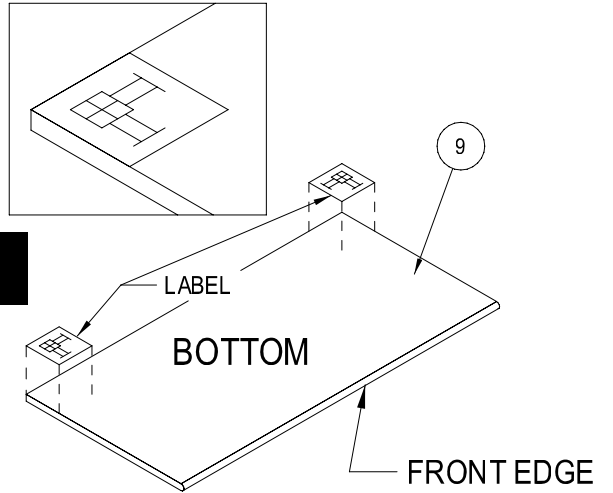
CONTENTS

REF.	QTY.	DESCRIPTION	REF.	QTY.	DESCRIPTION	REF.	QTY.	DESCRIPTION
1	2	LEG	9	1	TOP	H8	2	
2	4	LEG EXTENDER	H1	8		H9	4	
3	1	STRINGER	H2	8		H10	4	
4	1	OUTLET STRIP	H3	8		H11	10	
5	1	FOOT REST	H4	8		H12	4	
OPTIONAL DRAWER			H5	14			1	
6	2	OPTION 1 DRAWER SUPPORT	H6	8				
7	1	OPTION 2 DRAWER ENCLOSURE	H7	2				
8	1	OPTION 3 DRAWER						

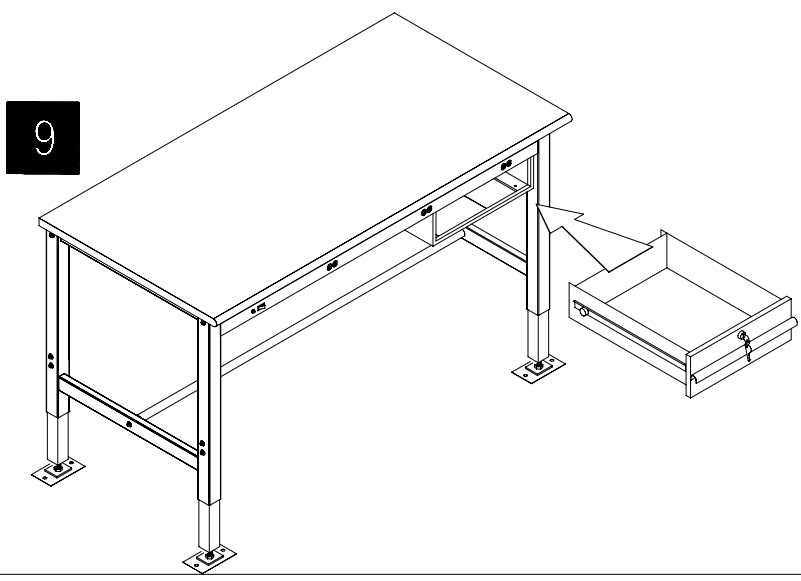
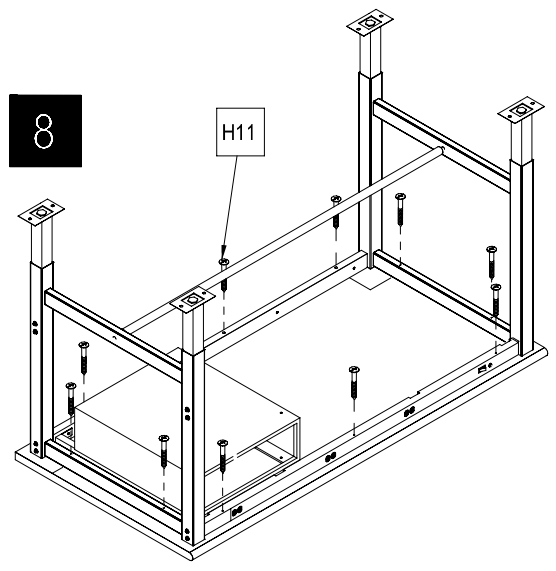




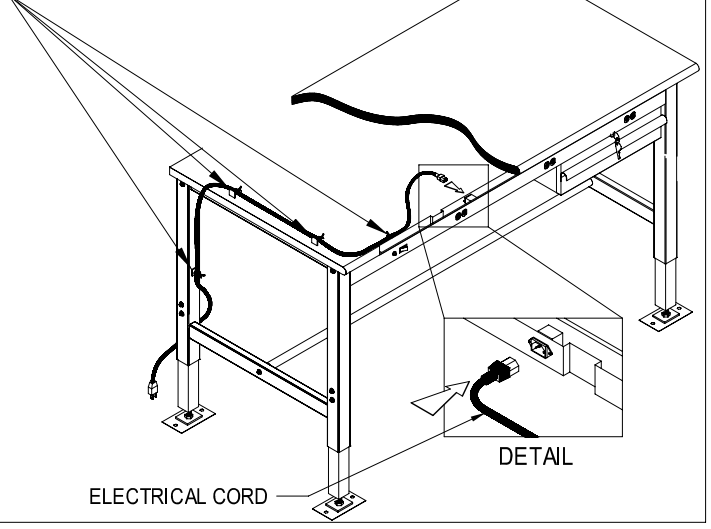
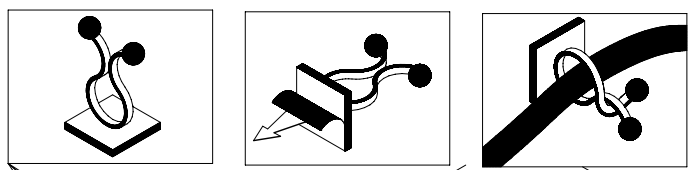
ALIGN LABEL TO EDGE
OF TABLE



⚠ CAUTION
MAKE SURE ALL ELECTRICAL WIRE
IS TUCKED IN BEFORE MOUNTING
TO TABLE TOP.

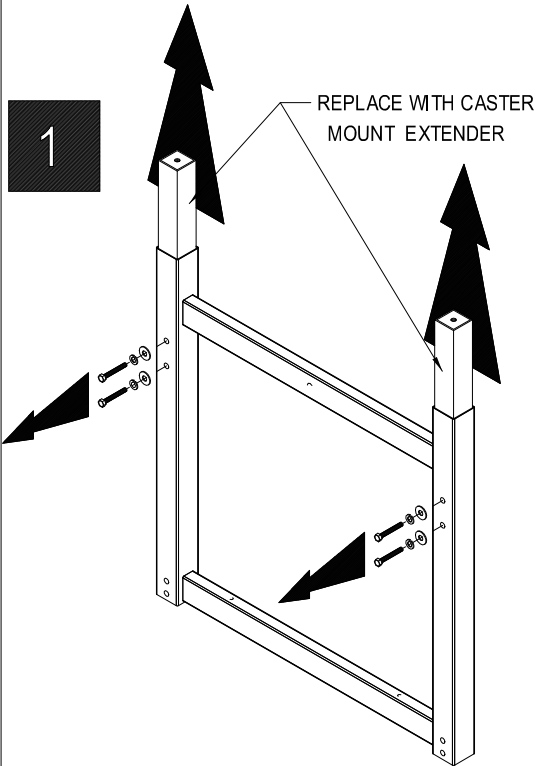




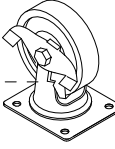
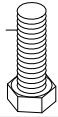
PLASTIC CLIP

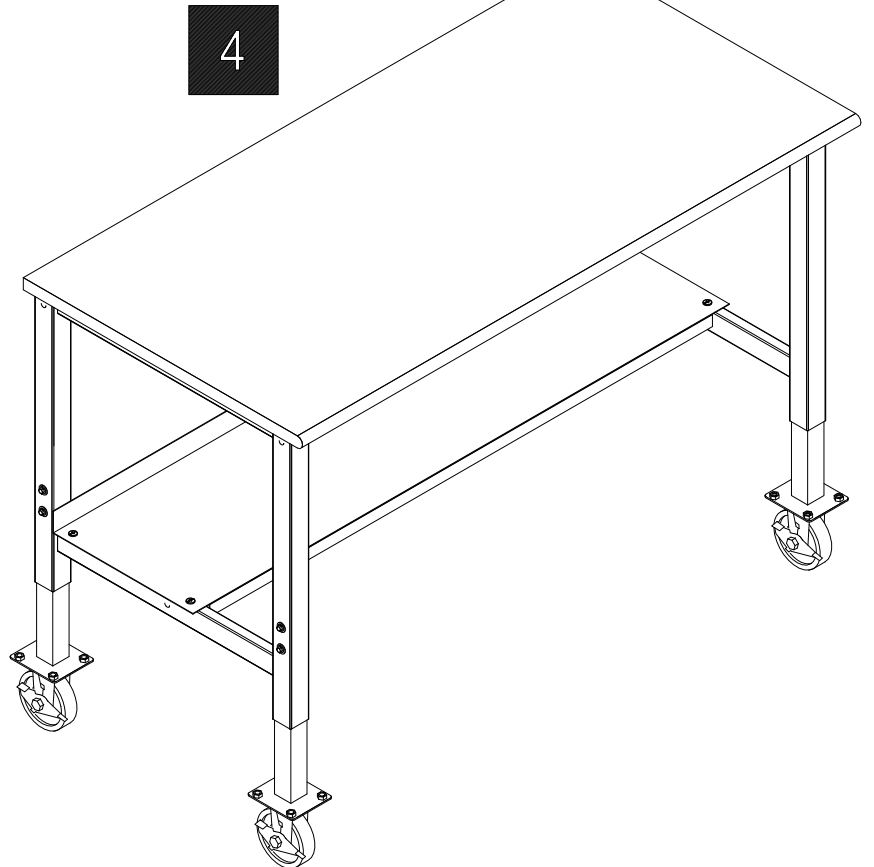
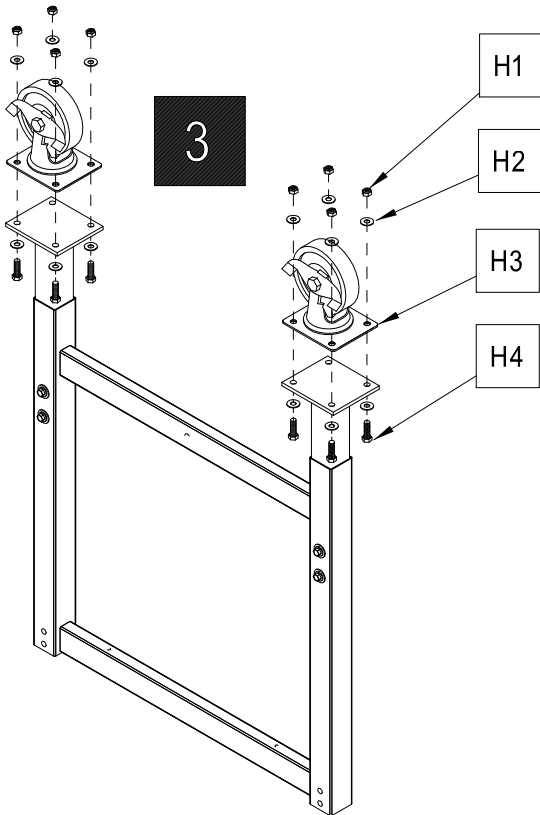
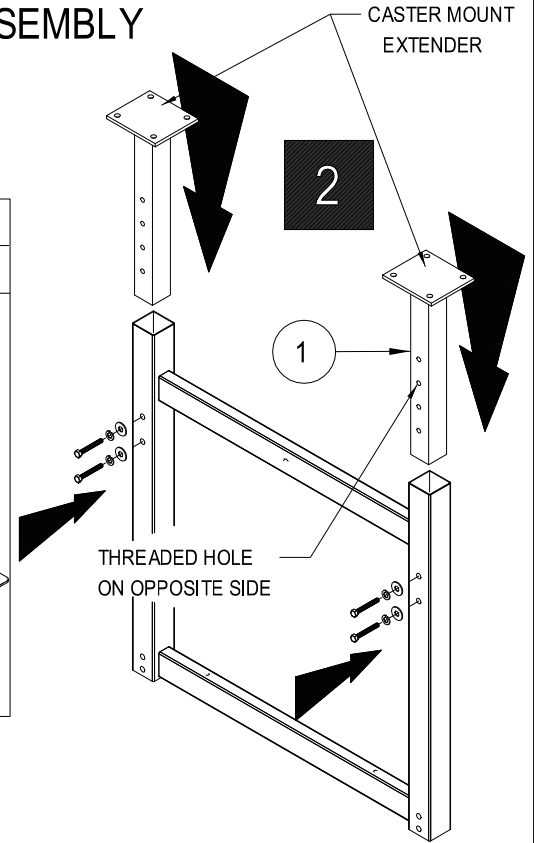


OPTIONAL CASTER MOUNT ASSEMBLY

ASSEMBLY INSTRUCTION



CONTENTS		
REF.	QTY.	DESCRIPTION
1	4	LEG EXTENDER
H1	16	
H2	32	
H3	4	
H4	16	



NOW THAT YOU HAVE ASSEMBLED THE NEW MOBILE LEG, FOLLOW THE BENCH ASSEMBLE INSTRUCTION PACKED WITH THE BENCH.