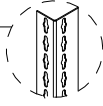
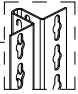



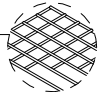

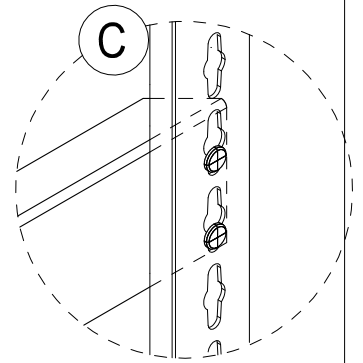
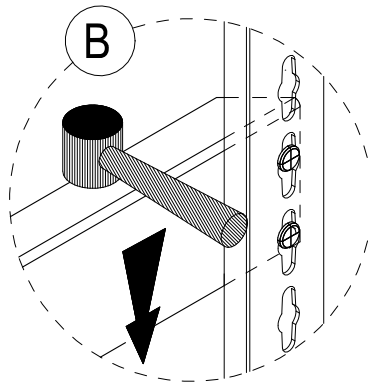
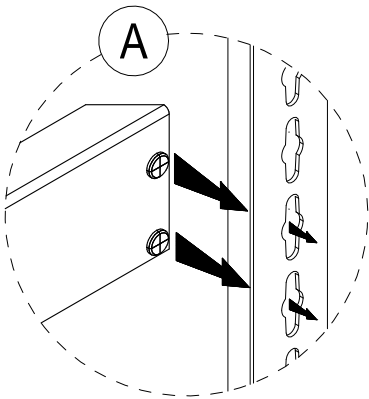


**GARMENT RACK**

ASSEMBLY INSTRUCTION

**CONTENTS**

REF.	QTY.	DESCRIPTION
1	4	ANGLE LRG 
2	2	T-LEG 
3	9	DOUBLE RIVET ANGLE BEAM (Long) 
4	9	DOUBLE RIVET ANGLE BEAM (Short) 
5	4	ROD BRACKET 
6	6	MESH DECKING 
7	2	ROD 



**1**

