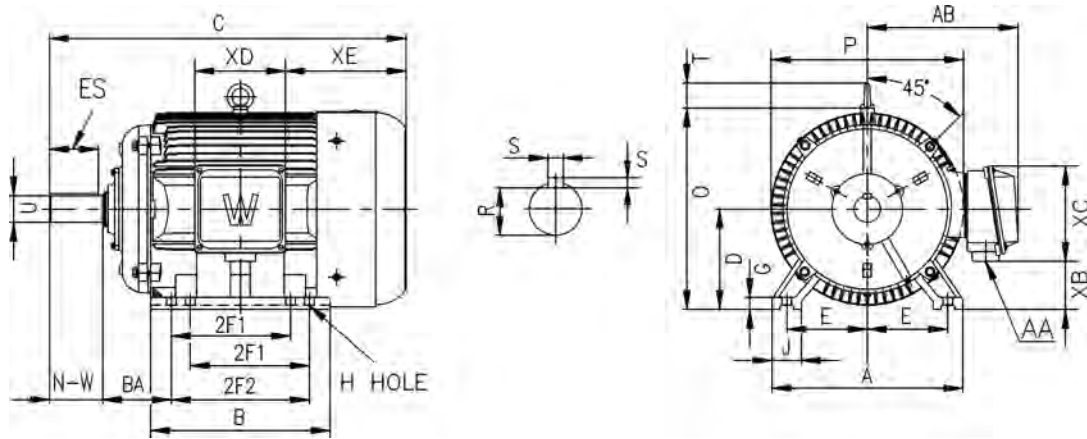


WORLDWIDE OIL WELL PUMP MOTORS EISA-COMPLIANT HIGH EFFICIENCY

TEFC Enclosure ▪ Rigid Base
Three-Phase ▪ 230/460/796 Volt



ALL DIMENSIONS IN INCHES

Frame	E	2F1	2F2	H	BA	A	B	C	D	G	J	P	O	AB	T	S	ES	R	N-W	U	AA	XB	XC	XD	XE
213T	4.25	---	5.5	0.41	3.5	10.5	7.5	18.89	5.25	0.709	2.36	10.4	10.53	8.63	1.73	0.312	2.41	1.201	3.38	1.375	1	2.95	5	4.57	6.77
215T	4.25	5.5	7	0.41	3.5	10.5	9	20.49	5.25	0.709	2.36	10.4	10.53	8.63	1.73	0.312	2.41	1.201	3.38	1.375	1	2.95	5	4.57	7.48
254T	5	---	8.25	0.53	4.25	12.5	10.8	23.29	6.25	0.787	2.76	12.6	12.89	11.2	2.05	0.375	2.91	1.416	4	1.625	1.5	3	7.2	6.3	7.76
256T	5	8.25	10	0.53	4.25	12.5	12.5	25.06	6.25	0.787	2.76	12.6	12.89	11.2	2.05	0.375	2.91	1.416	4	1.625	1.5	3	7.2	6.3	8.66
284T	5.5	---	9.5	0.53	4.75	14	12.5	26.64	7	0.866	2.76	14.17	14.28	12	2.05	0.5	3.28	1.591	4.62	1.875	1.5	3.58	7.2	6.3	9.13
286T	5.5	9.5	11	0.53	4.75	14	14	28.18	7	0.866	2.76	14.17	14.28	12	2.05	0.5	3.28	1.591	4.62	1.875	1.5	3.58	7.2	6.3	9.61
324T	6.25	---	10.5	0.66	5.25	16	14	29.95	8	0.984	2.76	15.75	15.91	13.4	2.44	0.5	3.91	1.845	5.25	2.125	2	2.64	10.55	8.98	9.68
326T	6.25	10.5	12	0.66	5.25	16	15.5	31.24	8	0.984	2.76	15.75	15.91	13.4	2.44	0.5	3.91	1.845	5.25	2.125	2	2.64	10.55	8.98	10.47
365T	7	11.25	12.25	0.66	5.88	18	16.2	34.11	9	1.102	2.95	17.7	18.13	15.7	2.44	0.625	4.28	2.021	5.88	2.375	3	3.74	10.55	8.98	11.3
404T	8	---	12.25	0.81	6.62	20	16.2	36.81	10	1.18	3.15	21.42	21.02	18.31	2.83	0.75	5.65	2.45	7.25	2.875	3	4.57	11.73	9.76	11.69
405T	8	12.25	13.75	0.81	6.62	20	17.8	38.35	10	1.18	3.15	21.42	21.02	18.31	2.83	0.75	5.65	2.45	7.25	2.875	3	4.57	11.73	9.76	12.48
444T	9	---	14.5	0.81	7.5	22	18.5	42.52	11	1.38	3.35	23.43	22.97	19.41	3.46	0.875	6.91	2.88	8.5	3.375	2x3	5.67	11.73	11.34	13.39
445T	9	14.5	16.5	0.81	7.5	22	20.5	44.5	11	1.38	3.35	23.43	22.97	19.41	3.46	0.875	6.91	2.88	8.5	3.375	2x3	5.67	11.73	11.34	14.37

DIMENSIONS

Dimensions shown in this catalog are for general use only.
For an exact drawing on a specific rating, please contact our sales office.

