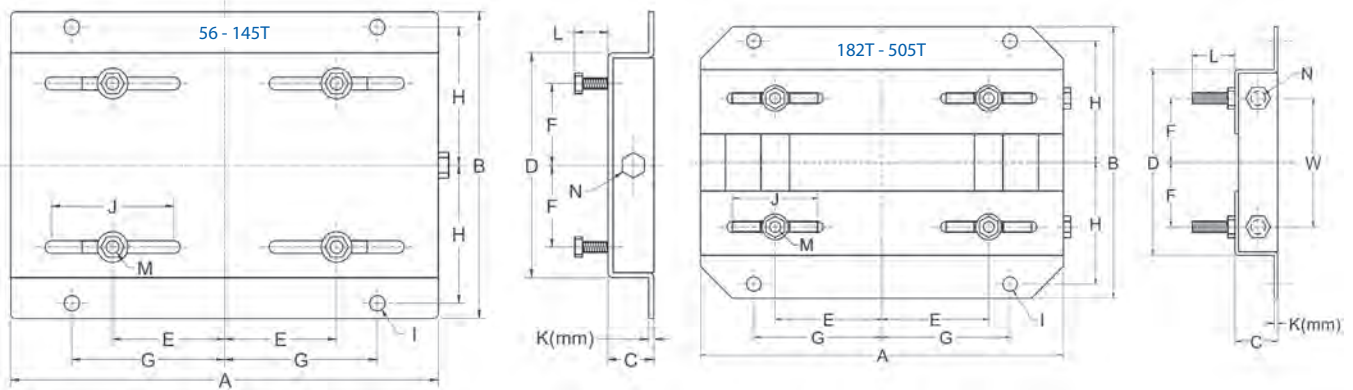


WORLDWIDE ACCESSORIES / PARTS

MOTOR SLIDE BASES



ALL DIMENSIONS IN INCHES

Frame	A	B	C	D	E	F	G	H	I	J	K (mm)	L	M	N	W
56	10-5/8	6-1/2	1-1/8	4-1/2	2-7/16	1-1/2	3-13/16	2-7/8	3/8	3	2	7/8	5/16 x 1	3/8 x 4	---
143T	10-1/2	7-1/2	1-1/8	5-1/2	2-3/4	2	3-3/4	3-3/8	3/8	3	3	13/16	5/16 x 1	3/8 x 4	---
145T	10-1/2	8-1/2	1-1/8	6-1/2	2-3/4	2-1/2	3-3/4	3-7/8	3/8	3	3	13/16	5/16 x 1	3/8 x 4	---
182T	12-3/4	9-1/2	1-1/2	6-1/2	3-3/4	2-1/4	4-1/2	4-1/4	1/2	3	3-1/2	1-1/2	3/8 x 1-3/4	1/2 x 6	4-1/2
184T	12-3/4	10-1/2	1-1/2	7-1/2	3-3/4	2-3/4	4-1/2	4-3/4	1/2	3	3-1/2	1-1/2	3/8 x 1-3/4	1/2 x 6	5-1/2
213T	15	11	1-3/4	7-1/2	4-1/4	2-3/4	5-1/4	4-3/4	1/2	3-1/2	3-4/5	1-1/2	3/8 x 1-3/4	1/2 x 6	5-1/2
215T	15	12-1/2	1-3/4	9	4-1/4	3-1/2	5-1/4	5-1/2	1/2	3-1/2	3-4/5	1-1/2	3/8 x 1-3/4	1/2 x 6	7
254T	17-3/4	15-1/8	2	10-3/4	5	4-1/8	6-1/4	6-5/8	5/8	4	4-3/5	1-7/16	1/2 x 1-3/4	5/8 x 6	5-5/16
256T	17-3/4	16-7/8	2	12-1/2	5	5	6-1/4	7-1/2	5/8	4	4-3/5	1-7/16	1/2 x 1-3/4	5/8 x 6	7
284T	19-3/4	16-7/8	2	12-1/2	5-1/2	4-3/4	7	7-1/2	5/8	4-1/2	4-3/5	1-11/16	1/2 x 2	5/8 x 6	7
286T	19-3/4	18-3/8	2	14	5-1/2	5-1/2	7	8-1/4	5/8	4-1/2	4-3/5	1-11/16	1/2 x 2	5/8 x 6	8
324T	22-3/4	19-1/4	2-1/2	14	6-1/4	5-1/4	8	8-1/2	3/4	5-1/4	4-3/5	2-3/16	5/8 x 2-1/2	3/4 x 9	7
326T	22-3/4	20-3/4	2-1/2	15-1/2	6-1/4	6	8	9-1/4	3/4	5-1/4	4-3/5	2-3/16	5/8 x 2-1/2	3/4 x 9	8-1/2
364T	25-1/2	20-1/2	2-1/2	15-1/2	7	5-5/8	9	9-1/8	3/4	6	5-4/5	2-1/16	5/8 x 2-1/2	3/4 x 9	7-3/4
365T	25-1/2	21-1/2	2-1/2	16-1/2	7	6-1/8	9	9-5/8	3/4	6	5-4/5	2-1/16	5/8 x 2-1/2	3/4 x 9	8-3/4
404T	28-3/4	22-3/8	3	16-1/2	8	6-1/8	10	9-7/8	7/8	7	5-4/5	2-1/2	3/4 x 3	3/4 x 11	8-3/4
405T	28-3/4	23-7/8	3	18	8	6-7/8	10	10-5/8	7/8	7	5-4/5	2-1/2	3/4 x 3	3/4 x 11	10-1/4
444T	31-1/4	24-5/8	3	19-1/4	9	7-1/4	11	11	7/8	7-1/2	5-4/5	2-1/2	3/4 x 3	3/4 x 11	11
445T	31-1/4	26-5/8	3	21-1/4	9	8-1/4	11	12	7/8	7-1/2	5-4/5	2-1/2	3/4 x 3	3/4 x 11	13
447T	31-1/4	30-1/8	3	24-3/4	9	10	11	13-3/4	7/8	7-1/2	8	3	3/4 x 3-1/2	3/4 x 11	16-1/2
449T	31-1/4	35-1/8	3	29-3/4	9	12-1/2	11	16-1/4	7/8	7-1/2	8	3	3/4 x 3-1/2	3/4 x 11	21-1/2
505T	35	30	3-1/2	22-3/4	10	9	12-1/2	13-1/2	1	8	8	3	7/8 x 3-1/2	7/8 x 12	14-1/2

DIMENSIONS

Dimensions shown in this catalog are for general use only.
For an exact drawing on a specific rating, please contact our sales office.

