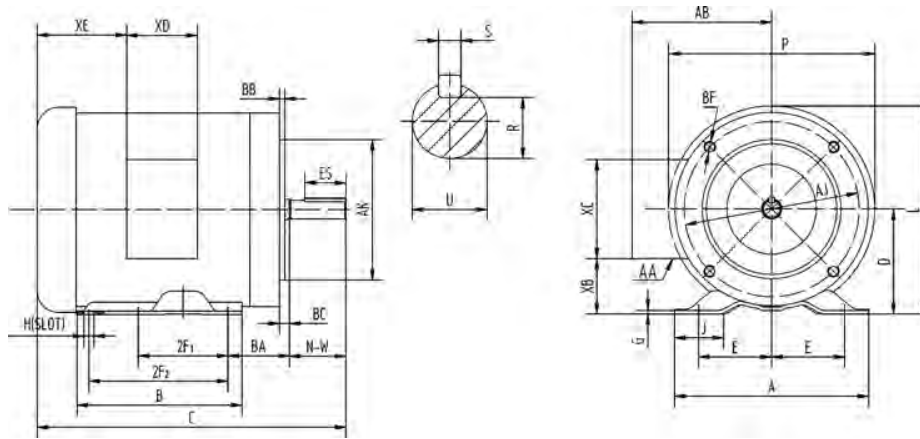


WORLDWIDE FRACTIONAL HP MOTORS

General Purpose Motors

TEFC Enclosure ▪ C-Face ▪ Removable Base
Three-Phase ▪ 208-230/460 and 575 Volt



208-230/460 Volt

ALL DIMENSIONS IN INCHES

Model	S	ES	R	N-W	U	AA	BC	AK	AJ	BF	BB	XB	XC	XD	XE
ATJ13-36-56CB	0.188	1.41	0.517	1.88	0.625	1/2	0.19	4.5	5.875	3/8-16	0.16	1.65	3.7	3.23	2.85
AT13-18-56CB	0.188	1.41	0.517	1.88	0.625	1/2	0.19	4.5	5.875	3/8-16	0.16	1.65	3.7	3.23	2.85
ATJ12-36-56CB	0.188	1.41	0.517	1.88	0.625	1/2	0.19	4.5	5.875	3/8-16	0.16	1.65	3.7	3.23	2.85
AT12-18-56CB	0.188	1.41	0.517	1.88	0.625	1/2	0.19	4.5	5.875	3/8-16	0.16	1.65	3.7	3.23	2.85
ATJ34-36-56CB	0.188	1.41	0.517	1.88	0.625	1/2	0.19	4.5	5.875	3/8-16	0.16	1.65	3.7	3.23	2.85
AT34-18-56CB	0.188	1.41	0.517	1.88	0.625	1/2	0.19	4.5	5.875	3/8-16	0.16	1.65	3.7	3.23	2.85
ATJ1-36-56CB	0.188	1.41	0.517	1.88	0.625	1/2	0.19	4.5	5.875	3/8-16	0.16	1.65	3.7	3.23	2.85
AT1-18-56CB	0.188	1.41	0.517	1.88	0.625	1/2	0.19	4.5	5.875	3/8-16	0.16	1.65	3.7	3.23	2.85
ATJ1.5-36-56CB	0.188	1.41	0.517	1.88	0.625	1/2	0.19	4.5	5.875	3/8-16	0.16	1.65	3.7	3.23	2.85
AT1.5-18-56CB	0.188	1.41	0.517	1.88	0.625	1/2	0.19	4.5	5.875	3/8-16	0.16	1.65	3.7	3.23	2.85
ATJ2-36-56CB	0.188	1.41	0.517	1.88	0.625	1/2	0.19	4.5	5.875	3/8-16	0.16	1.65	3.7	3.23	2.85
AT2-18-56CB	0.188	1.41	0.517	1.88	0.625	1/2	0.19	4.5	5.875	3/8-16	0.16	1.65	3.7	3.23	2.85

575 Volt

ALL DIMENSIONS IN INCHES

Model	S	ES	R	N-W	U	AA	BC	AK	AJ	BF	BB	XB	XC	XD	XE
AT13-18-575-56CB	0.188	1.41	0.517	1.88	0.625	1/2	0.19	4.5	5.875	3/8-16	0.16	1.65	3.7	3.23	2.85
AT12-18-575-56CB	0.188	1.41	0.517	1.88	0.625	1/2	0.19	4.5	5.875	3/8-16	0.16	1.65	3.7	3.23	2.85
AT34-18-575-56CB	0.188	1.41	0.517	1.88	0.625	1/2	0.19	4.5	5.875	3/8-16	0.16	1.65	3.7	3.23	2.85
AT1-18-575-56CB	0.188	1.41	0.517	1.88	0.625	1/2	0.19	4.5	5.875	3/8-16	0.16	1.65	3.7	3.23	2.85
AT1.5-18-575-56CB	0.188	1.41	0.517	1.88	0.625	1/2	0.19	4.5	5.875	3/8-16	0.16	1.65	3.7	3.23	2.85
AT2-18-575-56CB	0.188	1.41	0.517	1.88	0.625	1/2	0.19	4.5	5.875	3/8-16	0.16	1.65	3.7	3.23	2.85

Dimensions shown in this catalog are for general use only.
For an exact drawing on a specific rating, please contact our sales office.

