

Dmed® triango 30 F

TECHNICAL DATA

TREATMENT LIGHTS

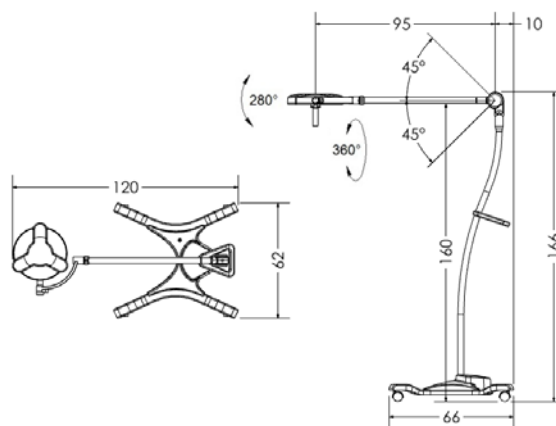
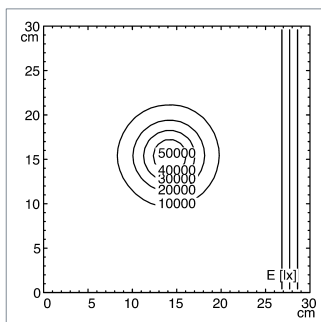
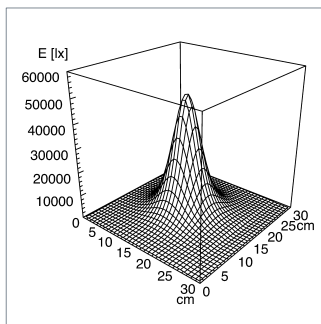
FITTED WITH	1 x LED lamp
LUMINOUS POWER	55 000 Lux / 1,0 m
ILLUMINANCE FIELD 1.0 m	Ø 16 cm (6.3 inches)
COLOR RENDERING INDEX (CRI)	> 95
COLOR TEMPERATURE	approx. 4500 K
WORK EQUIPMENT	electronic converter
HOSPITAL GRADE PLUG	approx. 5m (15 ft)
LUMINAIRE MATERIALS	head - polycarbonate & acrylonitrile butadiene styrene copolymer (PC & ABS); arm - metal
WEIGHT	approx. 18 kg (40 lbs)
POWER CONSUMPTION	approx. 30 W
APPROVAL	ETL/cETL
CLASS OF PROTECTION	I
NORMS	EN 60601-1, EN 60601-2-41, EN 60601-1-2
SPECIAL FEATURES	sterilizable handle (included)
FASTENING	roller stand with wheel locks
SYSTEM OF PROTECTION	IP 43
ORDER NUMBER	D15174100 - pure white



triango 30 F

LIGHT DISTRIBUTION

TECHNICAL DRAWING



Dimensions in centimeters