

BALDOR

BALDOR® • RELIANCE

Product Information Packet

EM7054T

10/15HP, 1470/1765RPM, 3PH, 50/60HZ, 254T

Part Detail							
Revision:	V	Status:	PRD/A	Change #:		Proprietary:	No
Type:	AC	Prod. Type:	0942M	Elec. Spec:	09WGW980	CD Diagram:	
Enclosure:	XPFC	Mfg Plant:		Mech. Spec:	09E270	Layout:	
Frame:	254T	Mounting:	F1	Poles:	04	Created Date:	
Base:	RG	Rotation:	R	Insulation:	B	Eff. Date:	03-15-2010
Leads:	9#12	Literature:		Elec. Diagram:		Replaced By:	
Nameplate NP1426XP							
NO.		CC			010A		
SER.							
SPEC.	09E270W980G1						
CAT.NO.	EM7054T						
HP	15//10	T. CODE	T3C				
VOLTS	230/460//190/380						
AMPS	36/18//28.8/14.4						
RPM	1765//1470						
HZ	60//50	PH	3	CL	B		
SER.F.	1.00	DES	B	CODE	H		
RATING	40C AMB-CONT						
FRAME	254T	NEMA-NOM-EFF	92.4	PF	84		
USABLE AT 208V	37						

Parts List		
Part Number	Description	Quantity
SA011900	SA 09E270W980G1	1.000 EA
RA008100	RA 09E270W980G1	1.000 EA
MJ5000A01	SEALANT, CHICO A COMPOUND	0.031 LB
09CB1000A01SP	CONDUIT BOX, MACH	1.000 EA
10XN3118K16	5/16-18 X 1" GRADE #5, STL, ZINC PLATE	4.000 EA
HW1001A31	LOCKWASHER 5/16, ZINC PLT.591 OD, .319 I	4.000 EA
WD1000B16	LUGSDIRECT WIRE LUG, CAT # S4	1.000 EA
10XN2520K06	1/4-20 X 3/8" HX HD SCREWGRADE 5, ZINC P	1.000 EA
HW1001A25	LOCKWASHER 1/4, ZINC PLT .493 OD, .255 I	1.000 EA
09EP1700A01	FR ENDPLATE, MACH	1.000 EA
10XN3816K28	3/8-16 X 1.75 HEX HD CAP SCREW, GRADE 5	4.000 EA
HW1001A38	LOCKWASHER 3/8, ZINC PLT .688 OD, .382 I	4.000 EA
HW5100A08	W3118-035 WVY WSHR (WB)	1.000 EA
10XN2520K36	1/4-20 X 2.25" HX HD SCRWGRADE 5, ZINC P	4.000 EA
HW1001A25	LOCKWASHER 1/4, ZINC PLT .493 OD, .255 I	4.000 EA
09EP1707A01	PU ENDPLATE, MACH	1.000 EA
10XN3816K28	3/8-16 X 1.75 HEX HD CAP SCREW, GRADE 5	4.000 EA
HW1001A38	LOCKWASHER 3/8, ZINC PLT .688 OD, .382 I	4.000 EA
09FH1004A01	FAN COVER, MACH	1.000 EA
10XN2520K16	1/4-20 X 1" HX HD SCRW GRADE 5, ZINC P	3.000 EA
HW1001A25	LOCKWASHER 1/4, ZINC PLT .493 OD, .255 I	6.000 EA
HW1001A25	LOCKWASHER 1/4, ZINC PLT .493 OD, .255 I	3.000 EA
09CB1500A01SP	CONDUIT BOX LID, MACH	1.000 EA
10XN2520K16	1/4-20 X 1" HX HD SCRW GRADE 5, ZINC P	6.000 EA

Parts List (continued)		
Part Number	Description	Quantity
HW2501G25	KEY, 3/8 SQ X 2.875	1.000 EA
LB1115	LABEL,LIFTING DEVICE	1.000 EA
HW4500A20	1/8NPT SL PIPE PLUG	2.000 EA
MJ1000A02	GREASE, POLYREX EM EXXON	0.080 LB
HW4500A20	1/8NPT SL PIPE PLUG	2.000 EA
MG1025G05	PAINT 789.201 (WILCO) DARK GRAY METALLIC	0.050 GA
85XU0407A04	#4-7 X 1/4 DRIVE PIN	6.000 EA
LB1073	LABEL, UL/CSA "XP"	1.000 EA
LB5040	INSTRUCTION TAG, AC & DC	1.000 EA
09FN3001A01SP	EXTERNAL FAN, PLASTIC	1.000 EA
51XB1214A20	12-14X1.25 HXWSSLD SERTYB	1.000 EA
HW2500A25	WOODRUFF KEY USA #1008 #BLOW CARBON STEE	1.000 EA
LB1119	WARNING LABEL	1.000 EA
LB1125C02	SUPER-E (STOCK CTN LABEL SUPER-E WITH FL	4.000 EA
LC0145B01	CONNECTION LABEL	1.000 EA
NP1426XP	UL/CSA, CLI GP-D,CLII GP-F&G,CC	1.000 EA
40PA1005	PACKAGING GROUP, 09 STD	1.000 EA
LB1357	ENERGY GUIDE LABEL (BOX LABEL)	2.000 SH

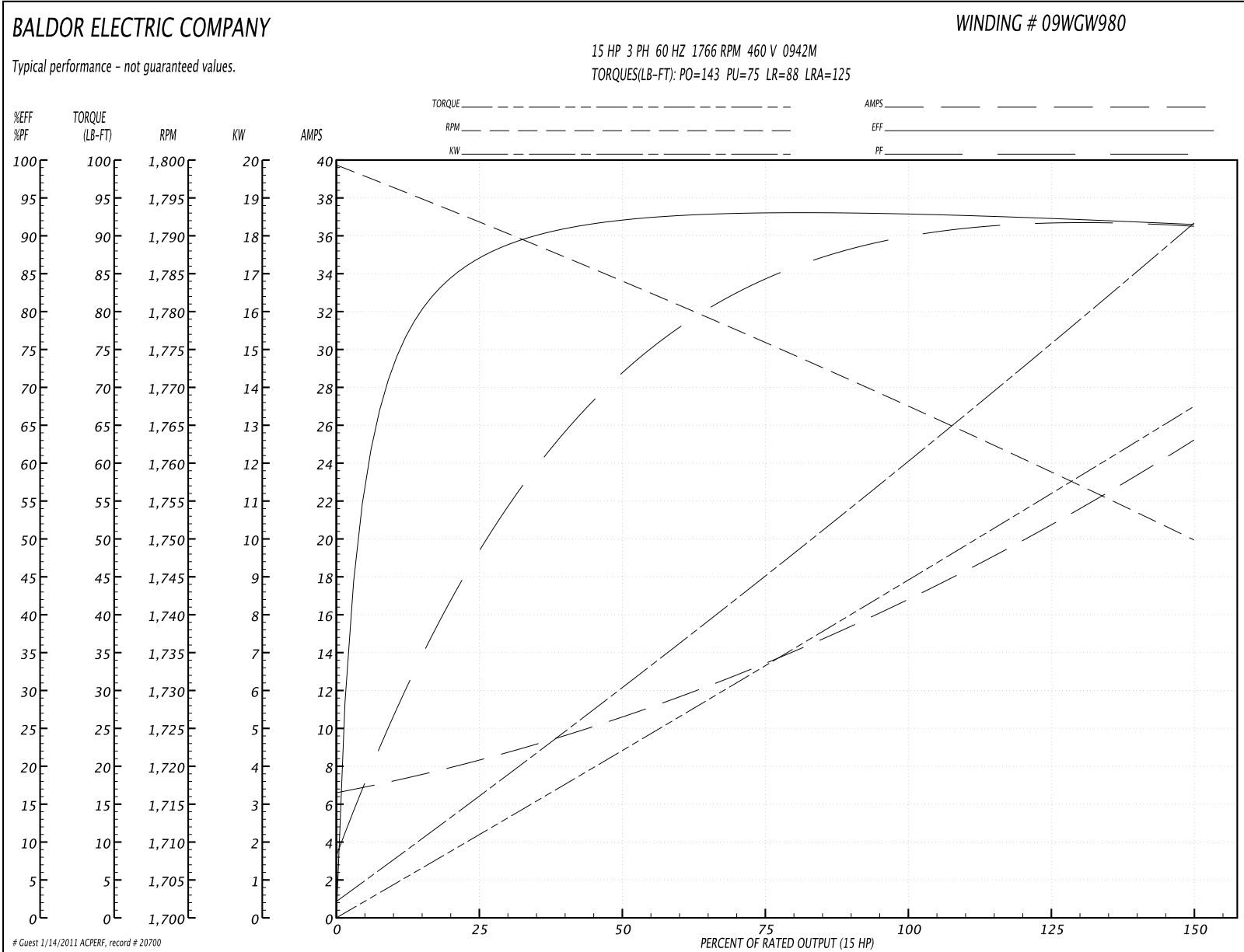
Performance Data at 460V, 60Hz, 15.0HP (Typical performance - Not guaranteed values)
General Characteristics

Full Load Torque:	45.0 LB-FT	Start Configuration:	DOL
No-Load Current:	6.95 Amps	Break-Down Torque:	143.0 LB-FT
Line-line Res. @ 25°C.:	0.577 Ohms A Ph / 0.0 Ohms B Ph	Pull-Up Torque:	75.0 LB-FT
Temp. Rise @ Rated Load:	47 C	Locked-Rotor Torque:	88.0 LB-FT
Temp. Rise @ S.F. Load:		Starting Current:	125.0 Amps

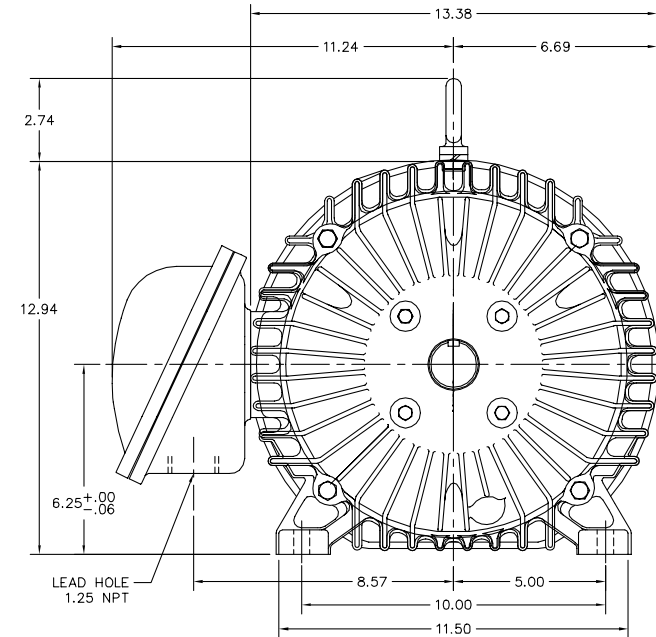
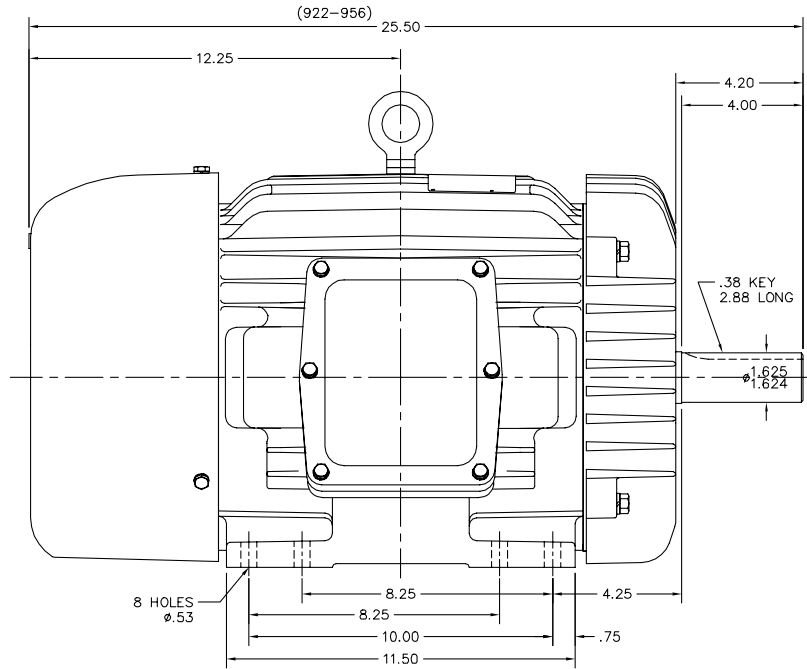
Load Characteristics

% of Rated Load	25	50	75	100	125	150	S.F.
Power Factor:	49.0	71.0	81.0	86.0	88.0	89.0	87.0
Efficiency:	87.9	92.1	93.0	92.8	92.3	91.5	92.5
Speed:	1792.0	1784.0	1776.0	1766.0	1759.0	1750.0	1762.0
Line Amperes:	7.9	10.5	13.7	17.2	21.0	25.0	19.5

Performance Graph at 460V, 60Hz, 15.0HP Typical performance - Not guaranteed values



09LYE270



CUSTOMER IS RESPONSIBLE FOR DETERMINING THAT MOTOR PERFORMANCE IS SUITABLE IN THE APPLICATION.

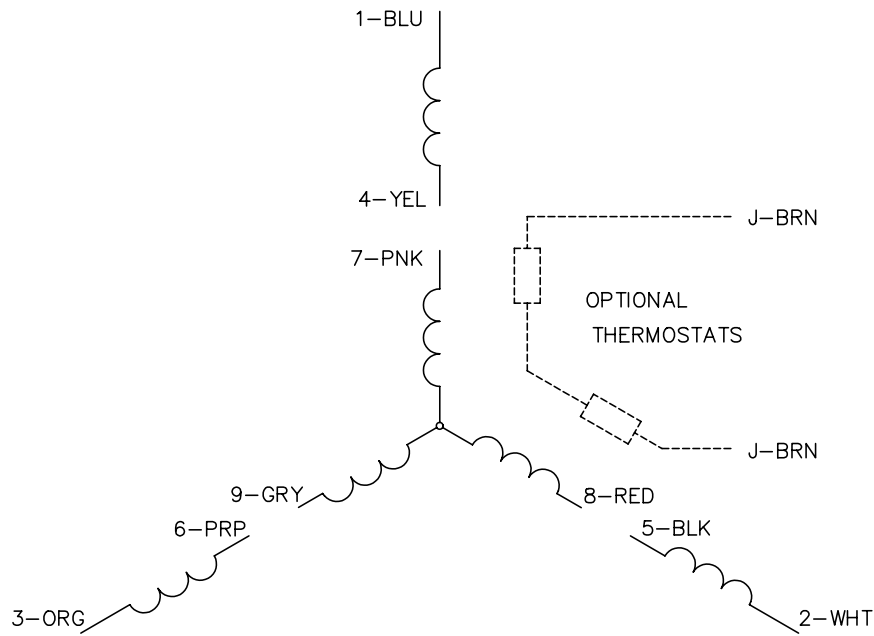
REV. DESC: CORRECTED TOLERANCE OF KOBX HEIGHT FROM BASE		
REV. LTR: D	VERSION: 01	TDR: 000000408081
FILE: \AAA\00000\626	REVISED: 10:41:21 09/13/2006	BY: ENNICO
MTL: -		

BALDOR ELECTRIC Co.

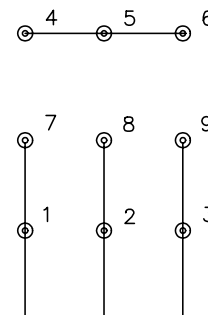
STD XPFC 254-6T CL.I GP.D,CL.II GP.F&G

09LYE270

CD0005

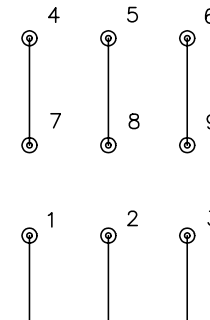


LOW VOLTAGE
(2Y)



LINE

HIGH VOLTAGE
(1Y)



LINE

NOTES:

1. INTERCHANGE ANY TWO LINE LEADS TO REVERSE ROTATION.
2. OPTIONAL THERMOSTATS ARE PROVIDED WHEN SPECIFIED.
3. ACTUAL NUMBER OF INTERNAL PARALLEL CIRCUITS MAY BE A MULTIPLE OF THOSE SHOWN ABOVE.
4. LEAD COLORS ARE OPTIONAL. LEADS MUST ALWAYS BE NUMBERED AS SHOWN.

REV. DESC: REVISE TO SHOW OPTIONAL COLORS			
REV. LTR: E	BY: JLP	REVISED: 01/19/99 10:15	TDR: 0171435
9000D		FILE: AAA00005140	MDL: -
		MTL: -	

BALDOR ELECTRIC Co.

3PH, DV, 9 LEADS

CD0005