

BALDOR

BALDOR® • RELIANCE

Product Information Packet

L4003A

.25HP, 1725RPM, 1PH, 60HZ, 48, X3411L, XPFC, F1

Part Detail							
Revision:	X	Status:	PRD/A	Change #:		Proprietary:	No
Type:	AC	Prod. Type:	3411L	Elec. Spec:	34WG368	CD Diagram:	
Enclosure:	XPFC	Mfg Plant:		Mech. Spec:	34-5426	Layout:	
Frame:	48	Mounting:	F1	Poles:	04	Created Date:	
Base:	RG	Rotation:	R	Insulation:	B	Eff. Date:	03-16-2010
Leads:	7#18	Literature:		Elec. Diagram:		Replaced By:	

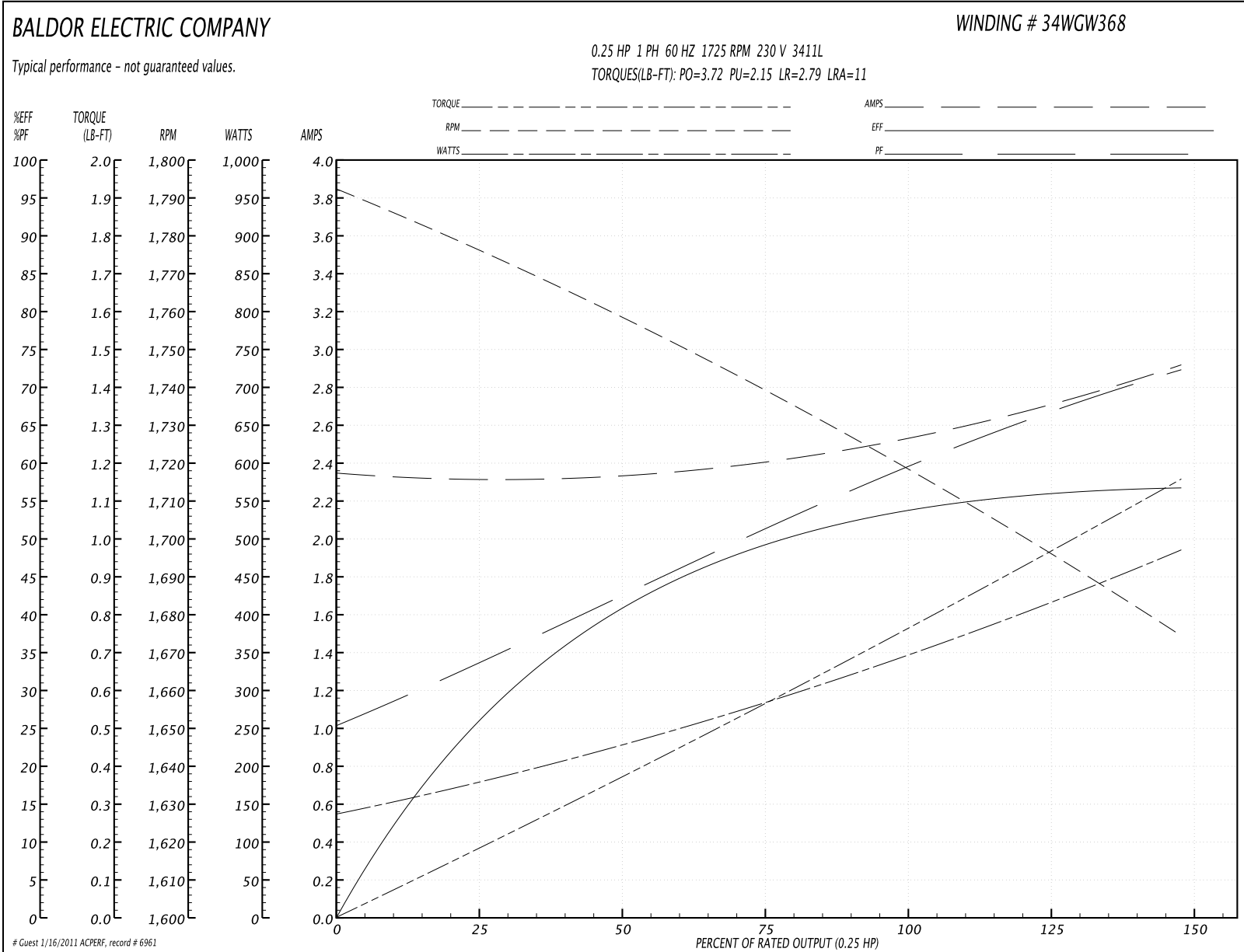
Nameplate NP0016XP

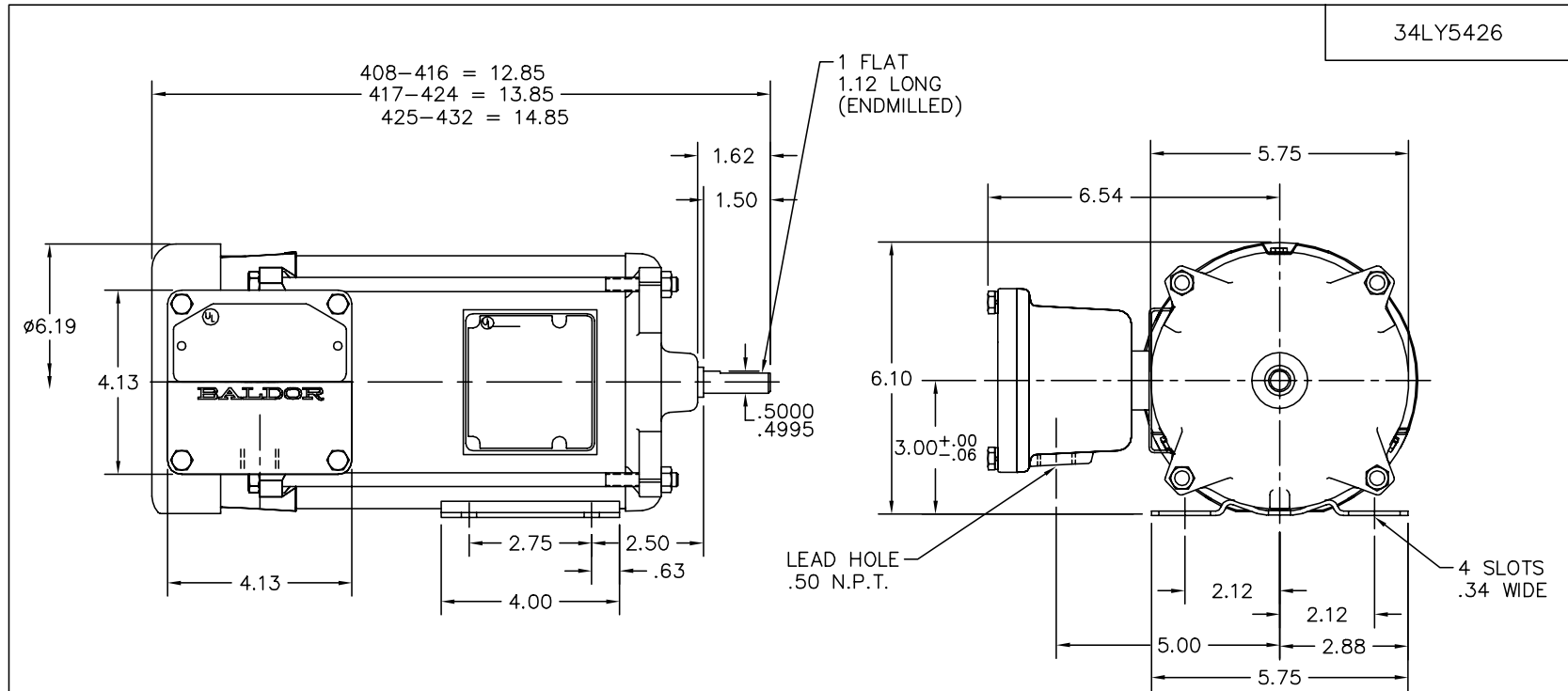
NO.		CC	
SER.			
SPEC.	34-5426W368		
CAT.NO.			
HP	.25	T. CODE	T3C
VOLTS	115/208-230		
AMPS	5/2.6-2.5		
RPM	1725		
HZ	60	PH	1 CL B
SER.F.	1.00	DES	N CODE L
RATING	40C AMB-CONT		
FRAME	48	NEMA-NOM-EFF	55 PF 57
USABLE AT 208V	2.6		

Performance Data at 230V, 60Hz, 0.25HP (Typical performance - Not guaranteed values)

General Characteristics							
Full Load Torque:	0.781 LB-FT			Start Configuration:	DOL		
No-Load Current:	2.34 Amps			Break-Down Torque:	3.72 LB-FT		
Line-line Res. @ 25°C.:	8.77 Ohms A Ph / 6.84 Ohms B Ph			Pull-Up Torque:	2.15 LB-FT		
Temp. Rise @ Rated Load:				Locked-Rotor Torque:	2.79 LB-FT		
Temp. Rise @ S.F. Load:				Starting Current:	11.0 Amps		
Load Characteristics							
% of Rated Load	25	50	75	100	125	150	S.F.
Power Factor:	36.0	45.0	53.0	60.0	66.0	72.0	0.0
Efficiency:	31.6	42.2	50.0	54.7	56.3	56.5	0.0
Speed:	1767.0	1752.0	1738.0	1719.0	1698.0	1672.0	0.0
Line Amperes:	2.32	2.36	2.42	2.53	2.7	2.93	0.0

Performance Graph at 230V, 60Hz, 0.25HP Typical performance - Not guaranteed values





CUSTOMER IS RESPONSIBLE FOR DETERMINING THAT MOTOR PERFORMANCE IS SUITABLE IN THE APPLICATION.

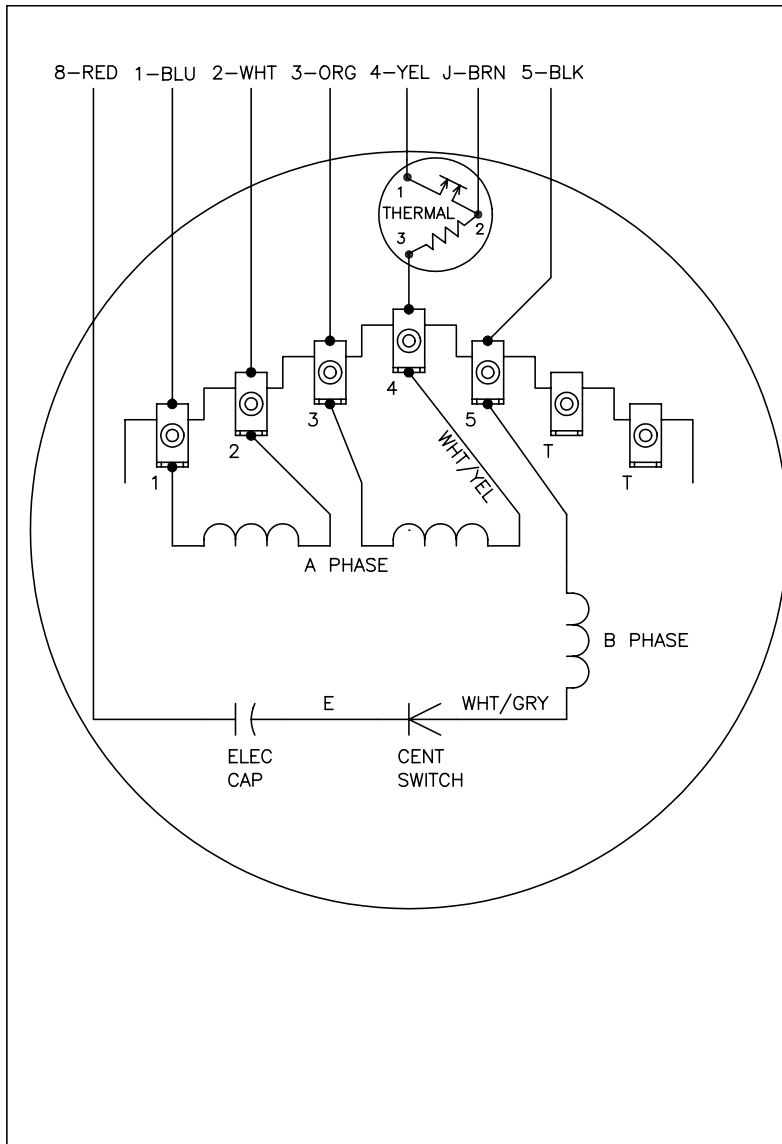
REV. LTR: B			VERSION: 01	TDR: 000000431887
REV. LTR: B			FILE: \AAA\00026\672	REVISED: 07:51:29 05/18/2007
34LY5426			MTL: -	BY: ENMARW1

BALDOR ELECTRIC Co.

STD HORZ X34L NEMA 48 TEFC W/ATO CL1 GP D, CL2 GP F & G

34LY5426

CD0885



	LINE A	LINE B	JOIN	JOIN
HIGH STD	1,8	4	2,3,5	J
HIGH OPP	1,5	4	2,3,8	J
LOW STD	1,3,8	4	-	2,J,5
LOW OPP	1,3,5	4	-	2,J,8

NOTES:

1. STANDARD ROTATION IS CCW FACING END OPPOSITE SHAFT EXTENSION.
2. MULTIPLE CAPACITORS ARE CONNECTED IN PARALLEL UNLESS OTHERWISE SPECIFIED.
3. LEAD COLORS ARE OPTIONAL. LEADS MUST ALWAYS BE NUMBERED AS SHOWN.

REV. DESC: REVISE TO SHOW OPTIONAL COLORS			
REV. LTR: B	BY: JLP	REVISED: 04/08/99 4:16	TDR: 0178636
988000		FILE: AAA00014285	MDL: -
		MTL: -	

BALDOR ELECTRIC Co.

TYPE L, DV, REV, THERM, 7 LD, B PH A THRU HTR HVC, 34XP

CD0885