

BALDOR

BALDOR® • RELIANCE

Product Information Packet

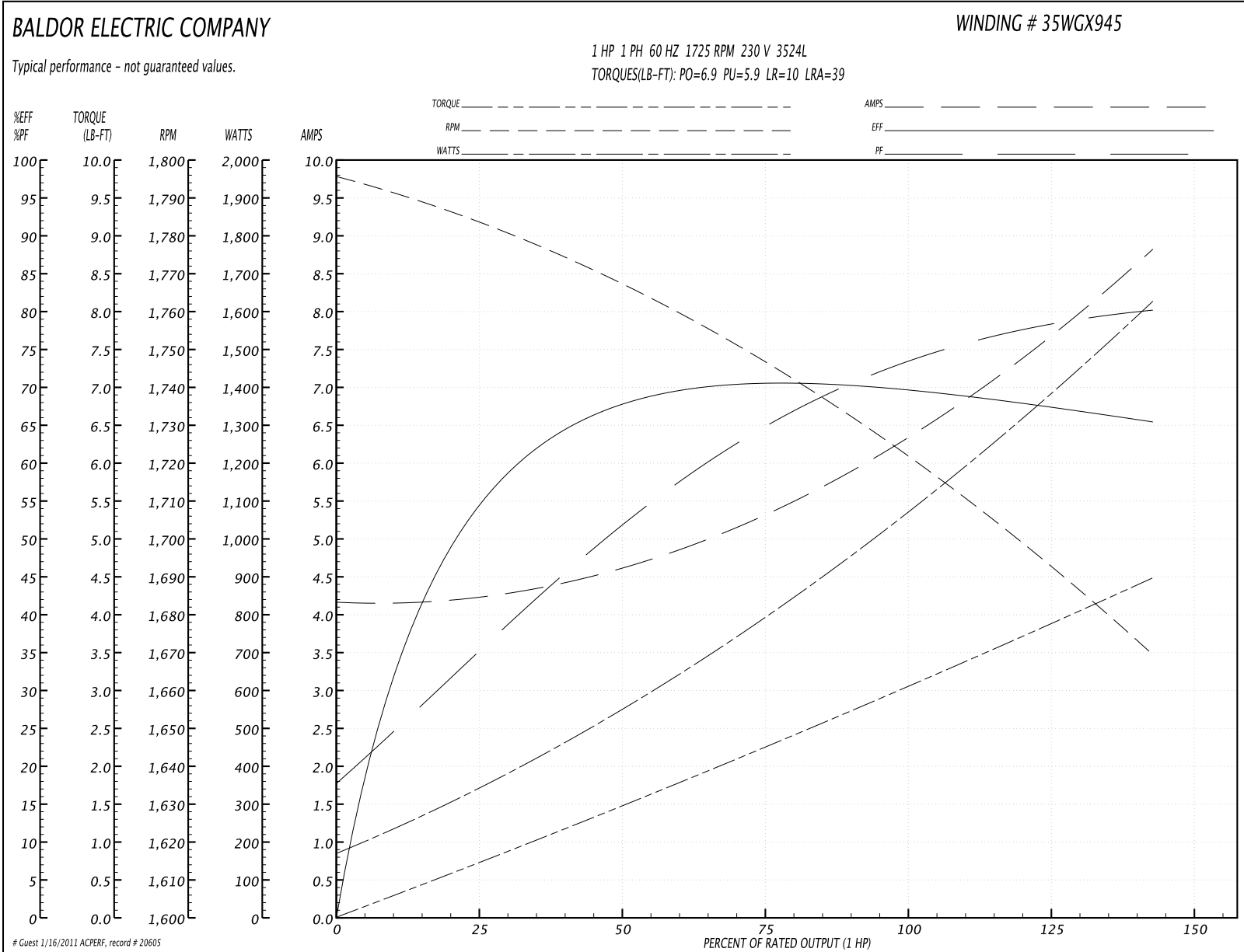
L5023T

1HP,1725RPM,1PH,60HZ,143T,X3524L,XPFC,F1

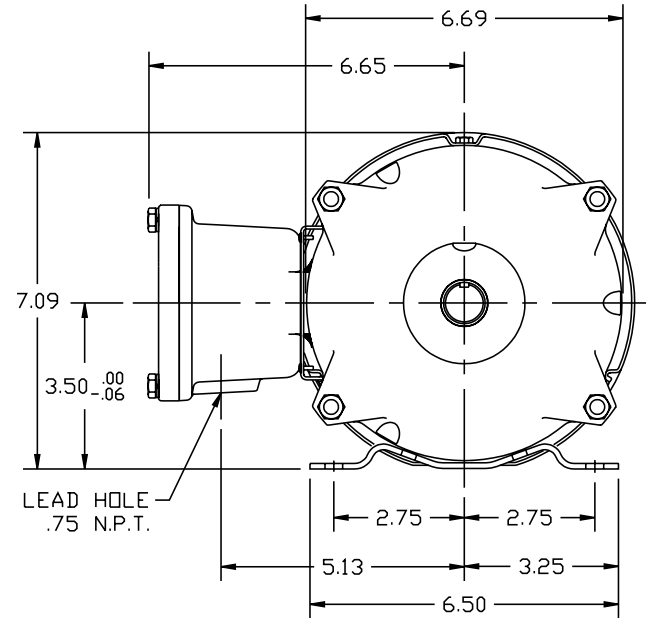
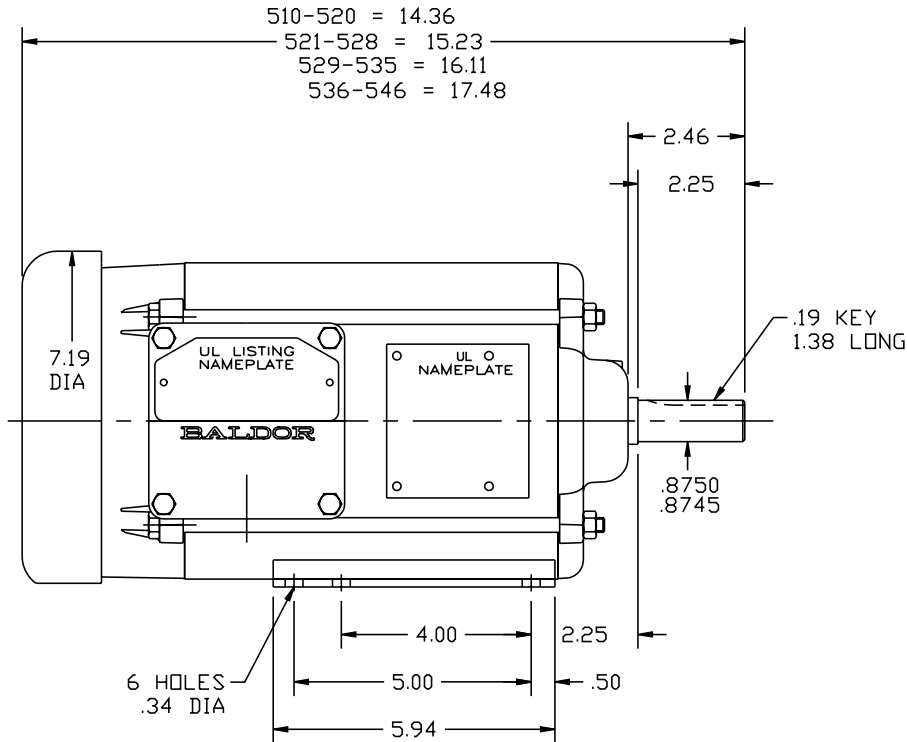
Part Detail							
Revision:	W	Status:	PRD/A	Change #:		Proprietary:	No
Type:	AC	Prod. Type:	3524L	Elec. Spec:	35WGX945	CD Diagram:	
Enclosure:	XPFC	Mfg Plant:		Mech. Spec:	35J659	Layout:	
Frame:	143T	Mounting:	F1	Poles:	04	Created Date:	
Base:	RG	Rotation:	R	Insulation:	B	Eff. Date:	10-17-2008
Leads:	6#18	Literature:		Elec. Diagram:		Replaced By:	
Nameplate NP0015XP							
NO.				CC			
SER.							
SPEC.		35J659X945					
CAT.NO.		L5023T					
HP		1		T. CODE		T2C	
VOLTS		115/208-230					
AMPS		12.8/7-6.4					
RPM		1725					
HZ		60		PH		1	CL B
SER.F.		1.00		DES		L	CODE K
RATING		40C AMB-CONT					
FRAME		143T		NEMA-NOM-EFF		67	PF 73
USABLE AT 208V		7					

Performance Data at 230V, 60Hz, 1.0HP (Typical performance - Not guaranteed values)							
General Characteristics							
Full Load Torque:	3.0 LB-FT			Start Configuration:	DOL		
No-Load Current:	4.1 Amps			Break-Down Torque:	6.9 LB-FT		
Line-line Res. @ 25°C.:	2.6 Ohms A Ph / 1.8 Ohms B Ph			Pull-Up Torque:	5.9 LB-FT		
Temp. Rise @ Rated Load:	79 C			Locked-Rotor Torque:	10.0 LB-FT		
Temp. Rise @ S.F. Load:				Starting Current:	39.0 Amps		
Load Characteristics							
% of Rated Load	25	50	75	100	125	150	S.F.
Power Factor:	39.0	53.0	67.0	75.0	81.0	84.0	79.0
Efficiency:	52.9	67.6	70.0	70.3	68.6	64.9	69.3
Speed:	1781.0	1765.0	1746.0	1726.0	1701.0	1666.0	1711.0
Line Amperes:	4.3	4.7	5.3	6.2	7.4	8.9	6.9

Performance Graph at 230V, 60Hz, 1.0HP Typical performance - Not guaranteed values



35J659



CUST. NAME	CUST. P.O.	CERTIFIED BY	MODEL	INSUL	AMB		
H.P.	MTG	TYPE	R.P.M.	VOLTS	ENCL PHASE	FREQ	FRAME

REMARKS:

REV: B LOADED TO ACAD

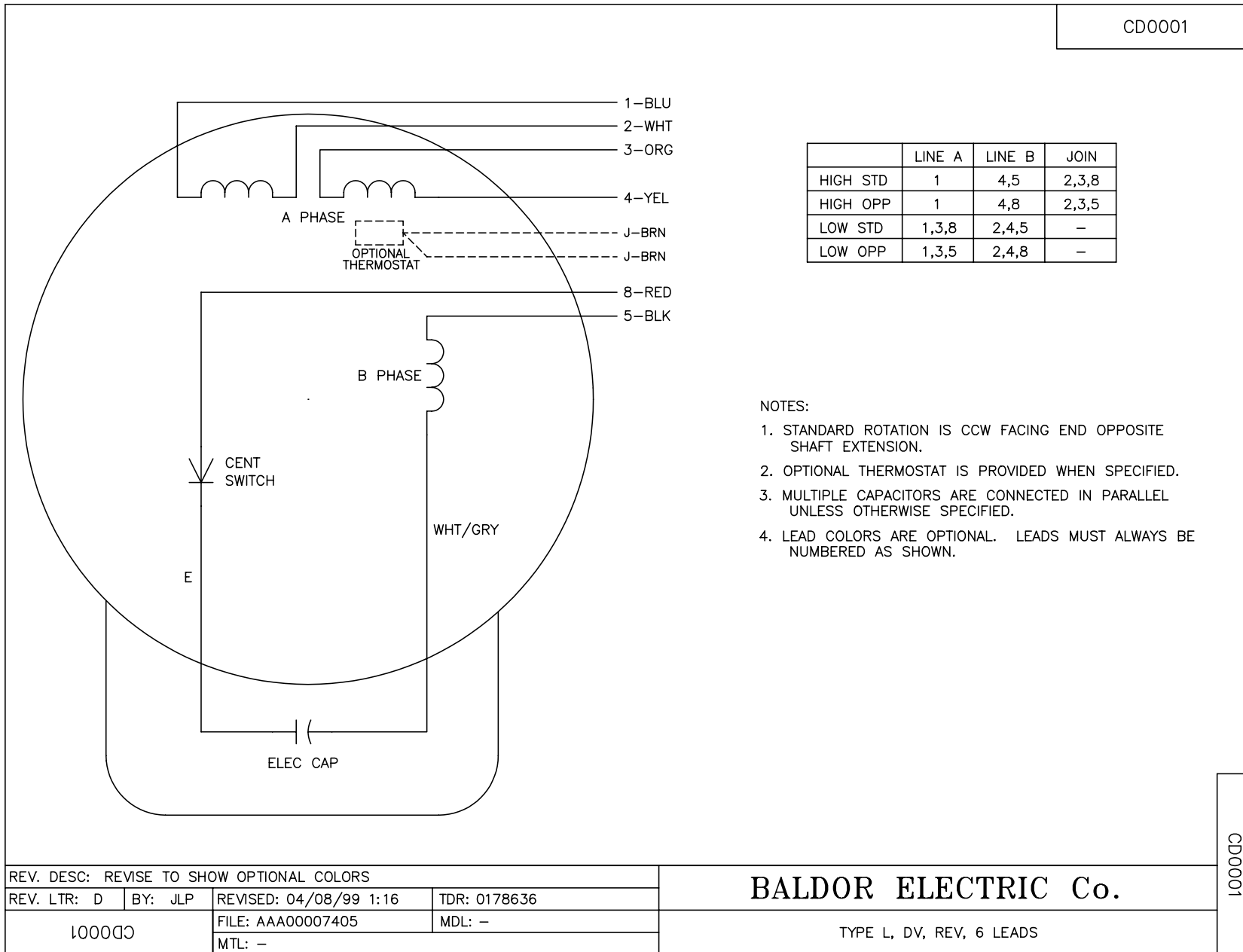
BALDOR ELECTRIC Co.

69999E	SCALE: .3	BY: JKH	REVISED: 10/05/94
	FILE: AAA00014073	TDR: 0051035	

STD HDRZ X35L NEMA 143-5T TEFC UL CLASS I-GP D T'STATS

35J659

CD0001



NOTES:

1. STANDARD ROTATION IS CCW FACING END OPPOSITE SHAFT EXTENSION.
2. OPTIONAL THERMOSTAT IS PROVIDED WHEN SPECIFIED.
3. MULTIPLE CAPACITORS ARE CONNECTED IN PARALLEL UNLESS OTHERWISE SPECIFIED.
4. LEAD COLORS ARE OPTIONAL. LEADS MUST ALWAYS BE NUMBERED AS SHOWN.

REV. DESC: REVISE TO SHOW OPTIONAL COLORS			
REV. LTR: D	BY: JLP	REVISED: 04/08/99 1:16	TDR: 0178636
100000		FILE: AAA00007405	MDL: -
		MTL: -	

BALDOR ELECTRIC Co.

TYPE L, DV, REV, 6 LEADS

CD0001