

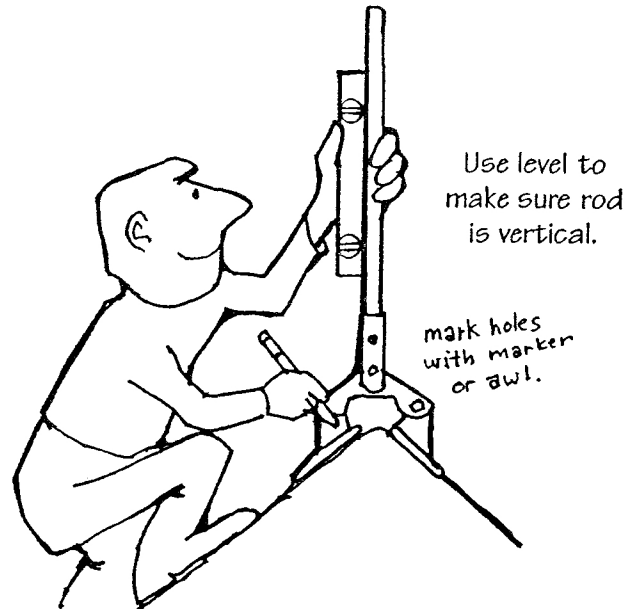


GOOD DIRECTIONS, INC.

Roof Mount Installation Full Size Weathervane

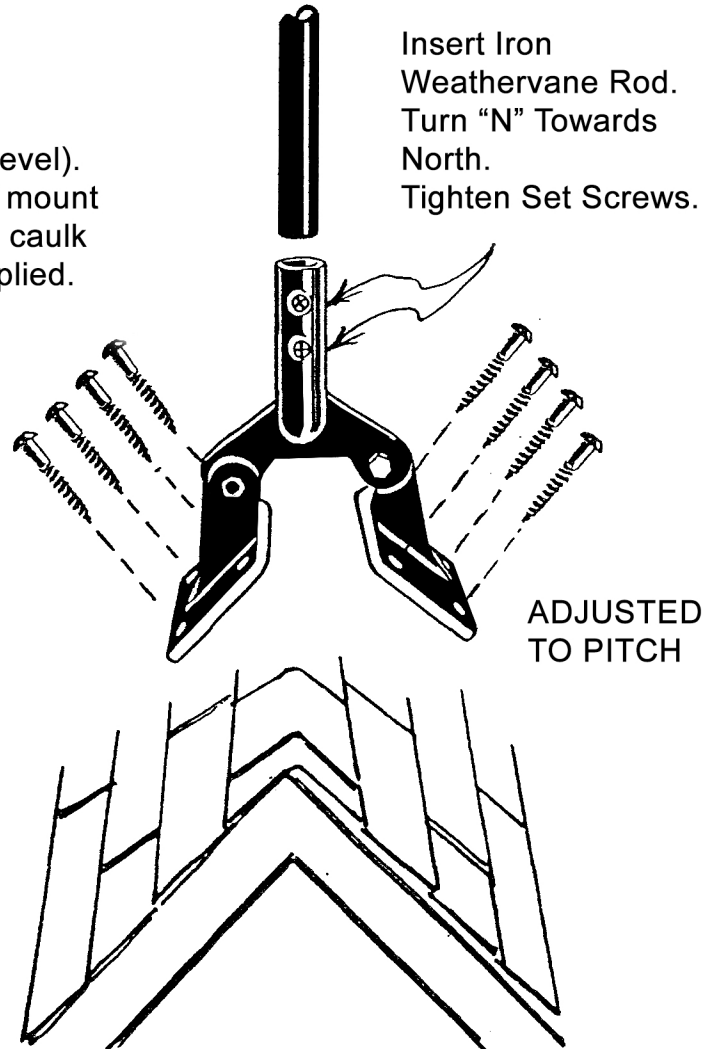
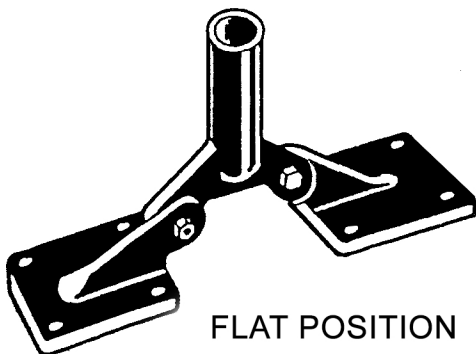
TOOLS NEEDED

- Silicon Caulk
- Caulking Gun
- Drill & 3/32" Bit
- Phillips Head Screwdriver
- Adjustable Wrench
- Small Level



Check rod for plumb (use level).
Drill 3/32" holes using roof mount
as template. Fill holes with caulk
and drive in 2" screws supplied.

Insert Iron
Weathervane Rod.
Turn "N" Towards
North.
Tighten Set Screws.



CAUTION:
Working on top of a roof requires extreme caution.
If you are not qualified to do this installation, we
recommend you consult a professional builder.