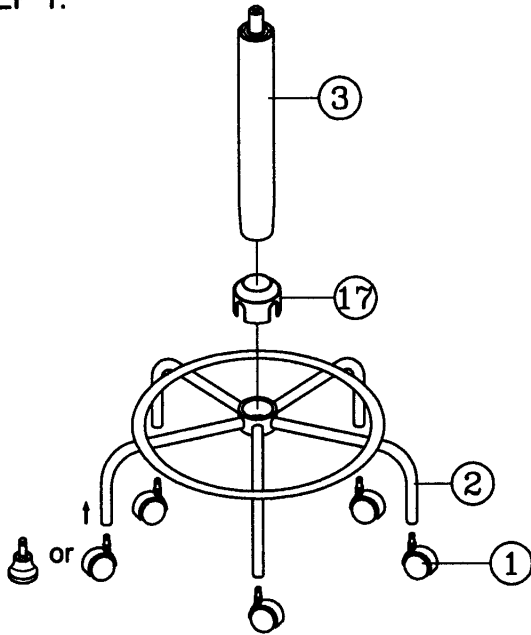


Remove all items from the carton . Verify all pieces before assembly.

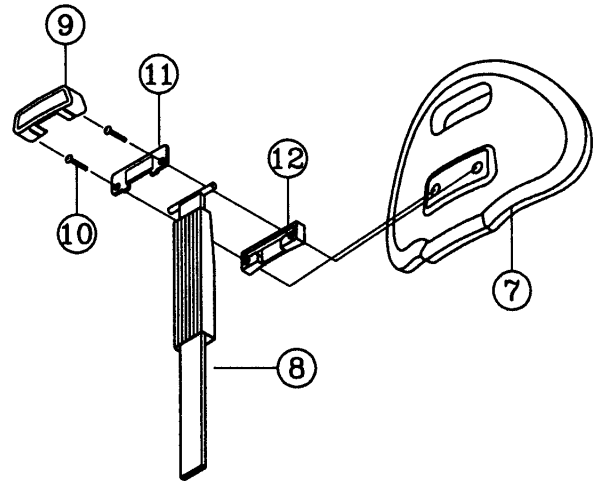
PART LIST

| KEY QTY | DESCRIPTION | KEY QTY | DESCRIPTION | KEY QTY | DESCRIPTION | |
|---------|-------------|-----------------------|-------------|---------|---------------------------|----------------------|
| 1 | 5 | Glide or Caster | 9 | 1 | Plastic Cover | |
| 2 | 1 | Base | 10 | 2 | Backrest Screw | |
| 3 | 1 | Seat Post | 11 | 1 | Steel Plate | |
| 4 | 1 | Seat Post Cover | 12 | 1 | Plastic Holder | |
| 5 | 1 | Mechanism | 13 | 1 | Mechanism Plastic Bellow | |
| 6 | 1 | Seat | 14 | 1 | Backrest Height Adj. Knob | |
| 7 | 1 | Backrest | | | | |
| 8 | 1 | Backrest Post + Cover | | | | |
| | | | | 15 | 6 | Mechanism Screw |
| | | | | 16 | 1 | Plastic Stopper |
| | | | | 17 | 1 | Base Cap |
| | | | | 18 | 1 | M5 Size Allen Wrench |

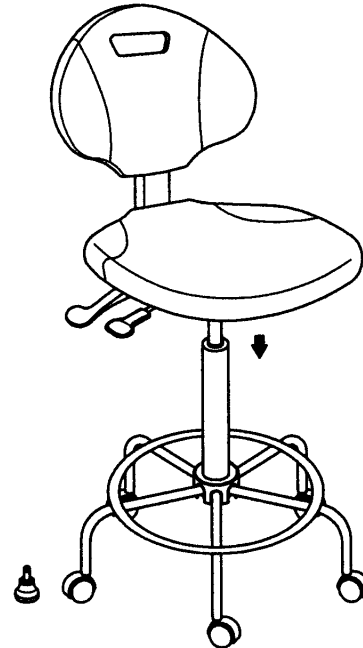
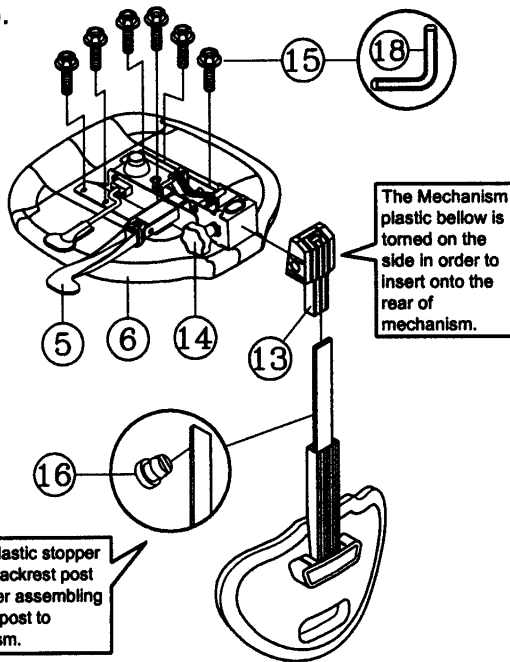
STEP 1.



STEP 2.



STEP 3.



PREVENTIVE MAINTENANCE AND WARNING!

- USE THIS PRODUCT ONLY FOR SEATING ONE PERSON AT A TIME.
- DO NOT USE THIS CHAIR AS A STEP STOOL / LADDER.
- DO NOT SIT ON ANY PART OF THE CHAIR EXCEPT THE SEAT.
- DO NOT USE CHAIR ON UNEVEN FLOOR SURFACES.
- DO NOT USE CHAIR UNLESS ALL BOLTS, SCREWS AND KNOBS ARE TIGHTENED.
- EVERY SIX MONTHS, PLEASE MAKE SURE ALL BOLTS, SCREWS AND KNOBS ARE FULLY TIGHTENED TO ENSURE STABILITY.
- IF ANY PARTS ARE MISSING, BROKEN, DAMAGED OR WORN, STOP USE OF THE PRODUCT UNTIL REPAIRS ARE MADE USING FACTORY AUTHORIZED PARTS.
- DISPOSE OF PACKAGING PROPERLY. PLASTIC BAG IS NOT A TOY. DO NOT USE PLASTIC BAG AS HEAD COVERING - IT MAY CAUSE SUFFOCATION.
- FAILURE TO FOLLOW THESE WARNINGS COULD RESULT IN SERIOUS INJURY.
- NOTE: SOME SCREWS MAY BE PREASSEMBLED. IF PREASSEMBLED, IGNORE ASSEMBLY INSTRUCTIONS.