

SCHOOL STACK CHAIRS.....



Steel Support
Steel lower back support and reinforced ribbing in back and under seat for added strength.

Nylon Swivel Glides
Ideal for hard floors, may not be suited for all carpet types. Swivel glides auto-level to create an even workspace. Available in all school stack chair sizes.



Felt Glides
Designed for use with swivel glides, felt prevents scratching and other floor damage. Reduces sounds and noise for a better learning environment. (ELR-15102)



Red (-RD) Yellow (-YE) Green (-GN) Blue (-BL) Sand (-SD)



Purple (-PU) Burgundy (-BY) Hunter Green (-HG) Navy (-NV) Gray (-GY) Black (-BK)

Chrome and matching legs available with ball or swivel glides. For nylon swivel glides please add "G" to the item number.
Example: ELR-0192-BLG = 10" Blue Stack Chair with Nylon Swivel Glide
Must order in case pack quantities of: 10" = 6, 12" = 6, 14" = 6, 16" = 6, 18" = 5

Chrome Legs

Colors: Blue (BL), Green (GN), Red (RD), Yellow (YE), Hunter Green (HG), Navy (NV), Burgundy (BY), Purple (PU), Sand (SD)

ELR-0192-XX	10" Stack Chair - Chrome Legs	Shell: 11"W x 11"D x 10.5"H; Seat Height: 10"	\$42
ELR-0193-XX	12" Stack Chair - Chrome Legs	Shell: 11"W x 11"D x 10.5"H; Seat Height: 12"	\$45
ELR-0194-XX	14" Stack Chair - Chrome Legs	Shell: 12.5"W x 12"D x 12"H; Seat Height: 14"	\$47
ELR-0195-XX	16" Stack Chair - Chrome Legs	Shell: 12.5"W x 12"D x 12"H; Seat Height: 16"	\$58

18" Stack Chairs are available with chrome legs and swivel glides in the following colors: Blue (BL), Green (GN), Red (RD), Yellow (YE), Hunter Green (HG), Navy (NV), Burgundy (BY), Sand (SD), Black (BK), Gray (GY)

ELR-15104-XX	18" Stack Chair - Chrome Legs	Shell: 14.5"W x 14.5"D x 13"H; Seat Height: 18"	\$68
---------------------	-------------------------------	---	-------------

Matching Powder Coated Legs

Colors: Blue (BL), Green (GN), Red (RD), Yellow (YE)

ELR-2192-XX	10" Stack Chair - Matching Legs	Shell: 11"W x 11"D x 10.5"H; Seat Height: 10"	\$40
ELR-2193-XX	12" Stack Chair - Matching Legs	Shell: 11"W x 11"D x 10.5"H; Seat Height: 12"	\$44
ELR-2194-XX	14" Stack Chair - Matching Legs	Shell: 12.5"W x 12"D x 12"H; Seat Height: 14"	\$47
ELR-2195-XX	16" Stack Chair - Matching Legs	Shell: 12.5"W x 12"D x 12"H; Seat Height: 16"	\$55

Assorted Packs

Chrome and matching legs available with ball or swivel glides. For nylon swivel glides please add "G" to the item number.
Includes 2 Blue, 2 Red, 1 Yellow, 1 Green

ELR-15141-AS	10" Stack Chair - Chrome Legs	\$252
ELR-15110-AS	12" Stack Chair - Chrome Legs	\$270
ELR-15111-AS	14" Stack Chair - Chrome Legs	\$282
ELR-15112-AS	16" Stack Chair - Chrome Legs	\$348
ELR-15140-AS	10" Stack Chair - Matching Legs	\$240
ELR-15107-AS	12" Stack Chair - Matching Legs	\$264
ELR-15108-AS	14" Stack Chair - Matching Legs	\$282
ELR-15120-AS	16" Stack Chair - Matching Legs	\$330

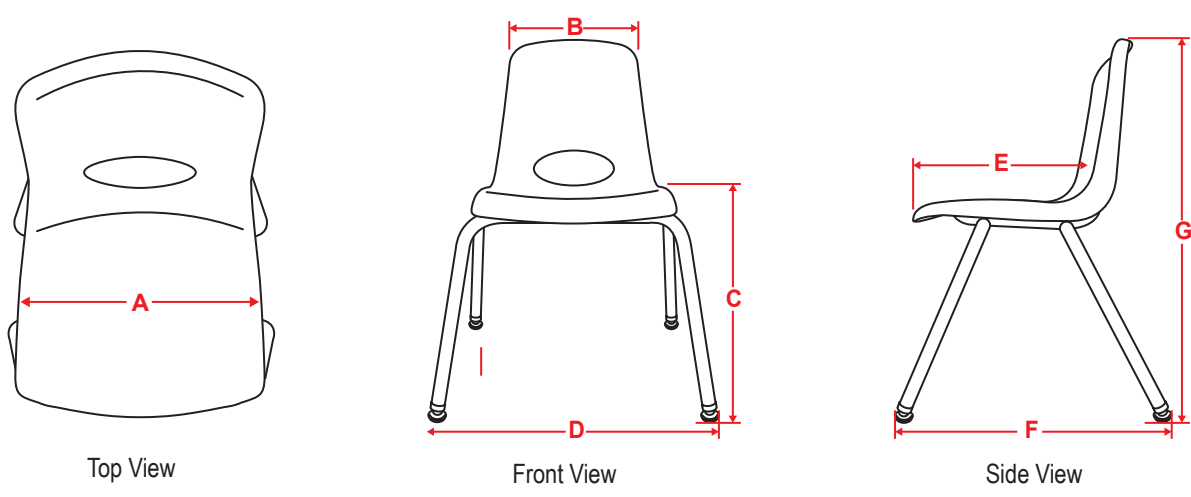
Molded Seat With Vented Back -
School stack chairs feature a molded seat with vented back for added comfort and support.



Painted Legs
Painted legs are available in sizes 10" - 16" to add a fun twist to your environment. Add a ball or swivel glide depending on your floor.

Composite Ball Glides
Made of polypropylene and nylon for durability, great for carpeted floors. Fun colors for early childhood environments; available in 10" - 16" chairs.

*Actual colors may vary.



Measurement	10" Stack Chair		12" Stack Chair		14" Stack Chair		16" Stack Chair		18" Stack Chair	
	Inch	mm	Inch	mm	Inch	mm	Inch	mm	Inch	mm
A Seat Width	11.00	280	11.00	280	12.50	317	12.50	317	14.50	368
B Upper Back Width	8.50	215	8.50	215	9.00	228	9.00	228	11.00	280
C Seat Height	10.00	255	12.00	305	14.00	355	16.00	406	18.00	457
D Overall Width	15.25	387	15.50	395	17.00	430	17.30	440	19.00	480
E Seat Depth	11.00	280	11.00	280	12.00	305	12.00	305	14.50	368
F Overall Depth	14.75	375	14.75	375	16.50	420	17.30	440	20.75	527
G Overall Height	20.50	520	22.50	570	26.00	660	28.75	710	31.00	787

* Measures with Swivel Glides