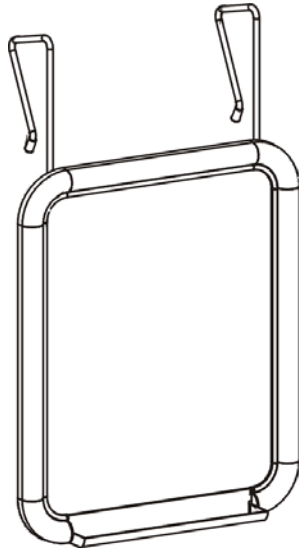


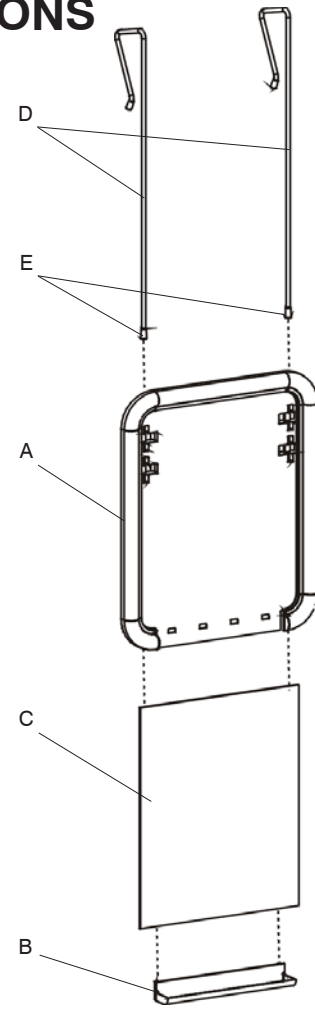
## ASSEMBLY INSTRUCTIONS

PARTS LIST			
LETTER CODE	DESCRIPTION	QTY.	PART NO.
(A)	Frame	1	4158-01
(B)	Tray	1	4158-02
(C)	White Board	1	4158-03
(D)	Wire Hangers	2	4158-04
(E)	Hanger Tips	4	4158-08



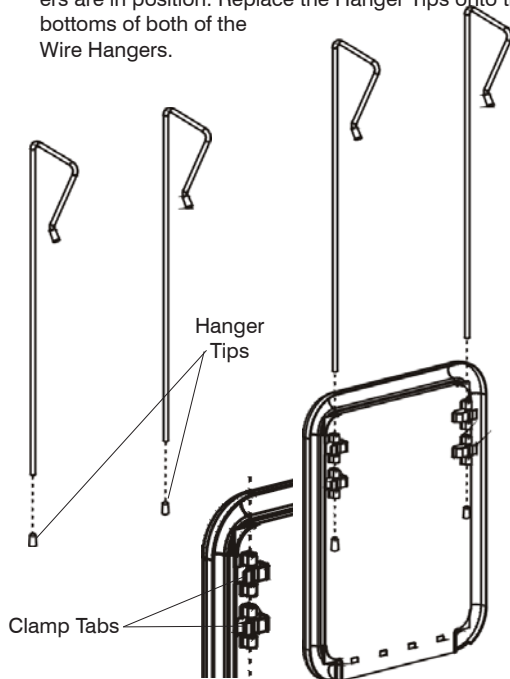
ASSEMBLED UNIT

**WARNING:**  
Use **ONLY**  
Dry-Erase Markers  
on the White Board  
surface.

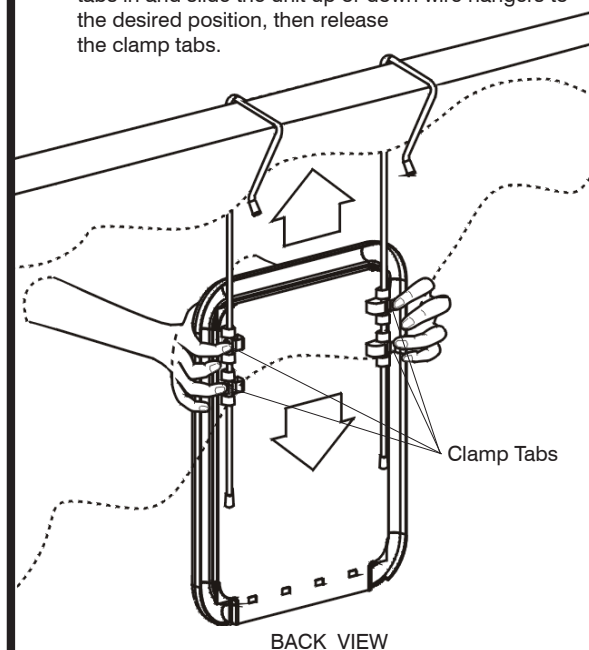


For questions or concerns, please call  
**Safco Consumer Hot Line 1-800-664-0042**  
available Monday-Friday 8:00 AM to 4:30 PM (Central Time)  
(English-speaking operators)

- Remove E Hanger Tips from the bottoms of D Wire Hangers as shown below. Insert each wire hanger into the two built-in clamps on each side by gently pressing the clamp tabs down until the hangers are in position. Replace the Hanger Tips onto the bottoms of both of the Wire Hangers.



- Hang the Dry-Erase Board onto your office panel wall unit. Adjust the position of your Dry-Erase Board on your wall by grasping the unit in both hands with the back side facing away from you. With two fingers of each hand simultaneously press the four clamp tabs in and slide the unit up or down wire hangers to the desired position, then release the clamp tabs.

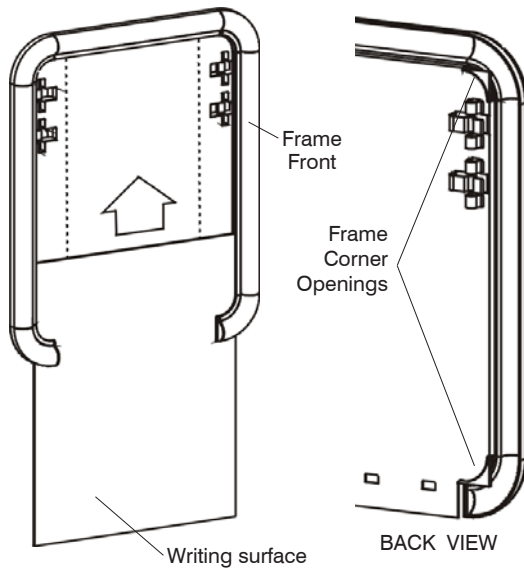


SAVE JUST IN CASE WE NEED THIS FOR ANOTHER SHEET:

## IMPORTANT

- ◆ READ and FOLLOW these instructions carefully!
- ◆ CHECK ALL PACKAGING - there may be parts in it!
- ◆ SORT and COUNT your parts - compare with the list below. If you find problems, refer to the Product Warranty Registration form included with this product.

- 1** Insert C White Board into A Frame with the white surface facing toward the front. Carefully guide the corners into the corner openings of the frame until it stops completely.



- 2** Slide the B Plastic Tray into position at the bottom of the frame under the white board. Be sure to fully seat the tray tabs on the back of the Tray into the frame slots.

