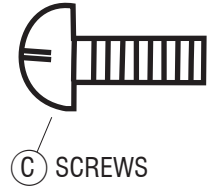
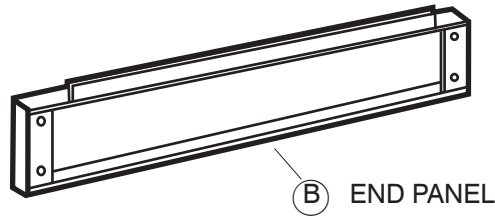
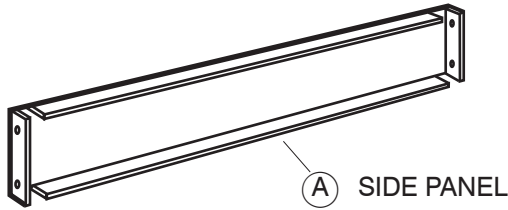
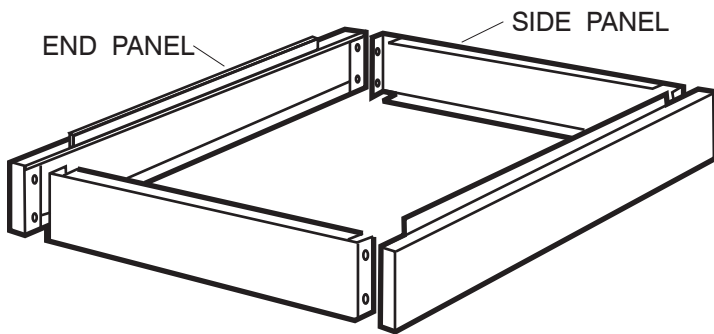


## ASSEMBLY INSTRUCTIONS

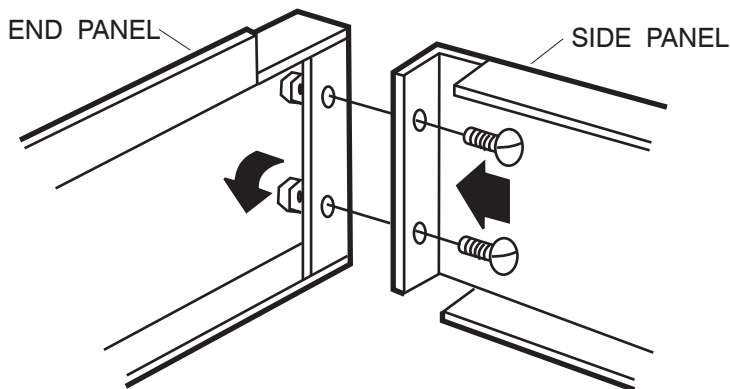


PARTS LIST					
LETTER CODE	DESCRIPTION	QTY.	PART NO.		
(A)	Side Panel	2	4995-01	4997-01	4999-01
(B)	End Panel	2	4995-02	4997-02	4999-02
(C)	Screw	8	4995-23		
(D)	Hex Nut	8	4995-24		

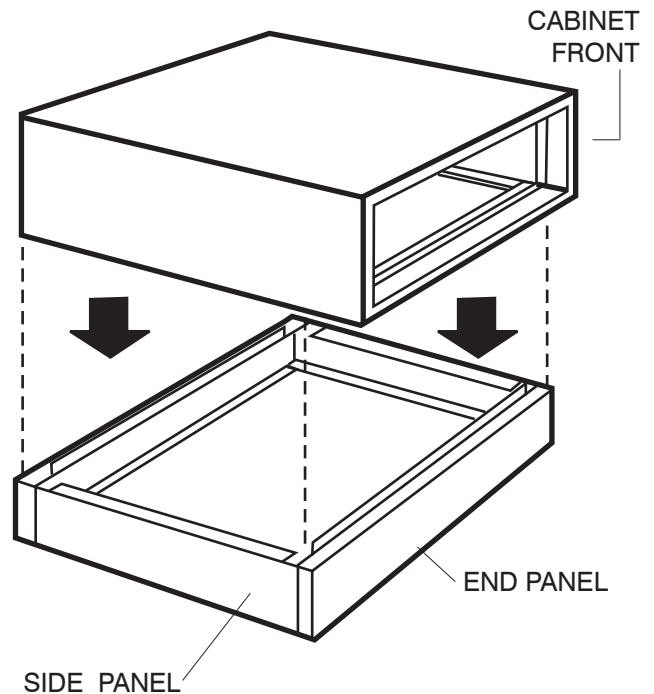


**1** Place panels as shown above.

**2** Align holes, insert screws. Attach nuts and tighten. Repeat for other corners.



**3** With drawers removed, lower cabinet onto base until it locks in place.



For questions or concerns, please call  
**Safco Consumer Hot Line 1-800-664-0042**  
 available Monday-Friday 8:00 AM to 4:30 PM  
 (Central Time)  
 (English-speaking operators)