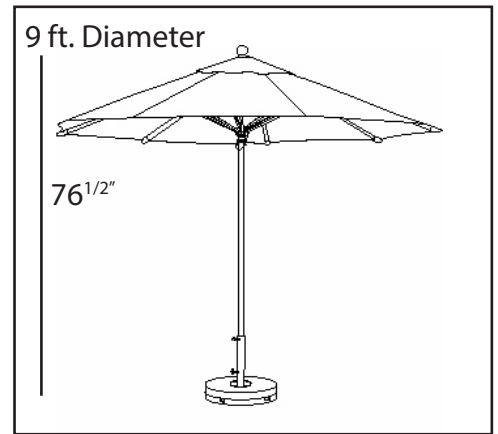




9' Round Market Umbrella with 1 1/2" Wooden Pole



Product Specifications

Product Description	Reference Number	Color	UPC Code 014306	Weight Each (lbs.)	Master Pack	Master Pack Volume (cu. ft)
9 Ft. Round Market Umbrella with 1 1/2" Wooden Pole	98912031	Forest Green	138145	25.00	1	1.79
	98919731	Pacific Blue	138121	25.00	1	1.79
	98918231	Terra Cotta	141091	25.00	1	1.79
	98910331	Khaki	142524	25.00	1	1.79
	98914931	Pesto	909905	25.00	1	1.79
	98914831	Sand	909899	25.00	1	1.79
	98915031	Spa Blue	912967	25.00	1	1.79
	98918131	Taupe	912974	25.00	1	1.79
	98910431	White	142319	25.00	1	1.79
	98913131	Turquoise	912981	25.00	1	1.79

Features & Benefits Warranty: 5 Yrs. on Grade C Fabric/1 Yr. on Poles

- Available with a 1 1/2" pole to work with any Grosfillex table plus eight reinforced ribs for extra resistance to wind damage.
- Two piece kempas wood pole with brass connector for easy transportation and shipping. Can be shipped via UPS.
- Pulley facilitates easy opening and closing.
- A selection of Outdura® solution-dyed acrylic traditional fabric colors Grade C for extra color fastness and ease of maintenance.
- Fully tested to 1,000 hours for fade resistance to meet ASTM G53-96 performance standard for commercial outdoor fabric - meets ACCFA requirements.
- Fade, stain, and mildew resistant.



Available Base Options:
 35 lb. Table Umbrella Base with 10" Stem
 Optional 35 lb. Base Ring
 84 lb. Umbrella Base with Wheels

Available Pole Options:
 Bar Height Wooden Bottom Pole

Resin Umbrella Base with Fill Cap
 70 lb. Market Umbrella Base (Freestanding)

