



No.:

Date: 28-DEC-2012

Customer :

TECHNICAL PROPOSAL

Three-phase induction motor - Squirrel cage rotor

Product line : Jet Pump - NEMA 56 : Three-Phase - Threaded - ODP (IP21)

Catalog Number : .3336OS3EJP56J

List Price : \$224

Notes:

Performed by:

Checked:



No.:

Date: 28-DEC-2012

DATA SHEET

Three-phase induction motor - Squirrel cage rotor

Customer :
Product line : Jet Pump - NEMA 56 : Three-Phase - Threaded - ODP (IP21)

Frame : A56
Output : 0.33 HP
Frequency : 60 Hz
Poles : 2
Full load speed : 3500
Slip : 2.78 %
Voltage : 208-230/460 V
Rated current : 1.34-1.40/0.698 A
Locked rotor current : 7.96/3.98 A
Locked rotor current (I_L/I_n) : 5.7
No-load current : 1.10/0.550 A
Full load torque : 0.488 lb.ft
Locked rotor torque : 260 %
Breakdown torque : 320 %
Design : A
Insulation class : B
Temperature rise : 80 K
Locked rotor time : 15 s (hot)
Service factor : 1.75 (1.00 at 208V)
Duty cycle : S1
Ambient temperature : -20°C - +40°C
Altitude : 1000
Degree of Protection : IP21
Approximate weight : 23 lb
Moment of inertia : 0.01661 sq.ft.lb
Noise level : ---

	D.E.	N.D.E.	Load	Power factor	Efficiency (%)
Bearings	6203 2RS	6202 2RS	100%	0.72	63.0
Regreasing interval	---	---	75%	0.64	57.0
Grease amount	---	---	50%	0.54	48.0

Notes:

Performed by

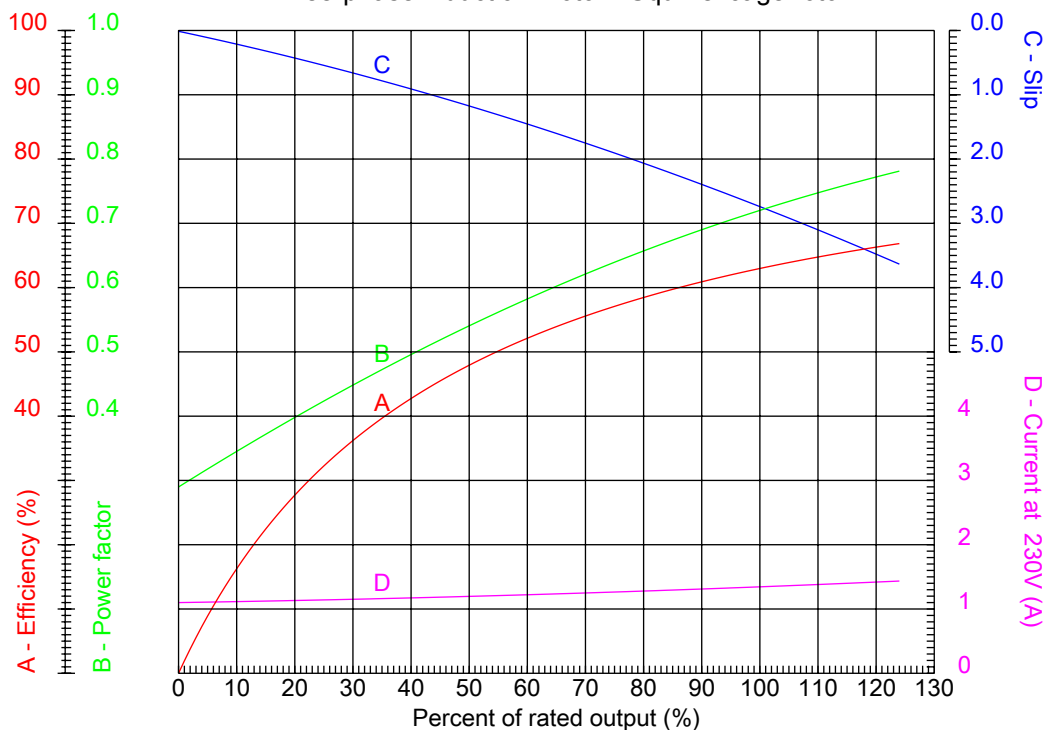
Checked



No.:

Date: 28-DEC-2012

PERFORMANCE CURVES RELATED TO RATED OUTPUT
Three-phase induction motor - Squirrel cage rotor



Customer :
Product line : Jet Pump - NEMA 56 : Three-Phase - Threaded - ODP (IP21)

Frame	: A56	Locked rotor current (I _l /I _n)	: 5.7
Output	: 0.33 HP	Duty cycle	: S1
Frequency	: 60 Hz	Service factor	: 1.75 (1.00 at 208V)
Full load speed	: 3500	Design	: A
Voltage	: 208-230/460 V	Locked rotor torque	: 260 %
Rated current	: 1.34-1.40/0.698 A	Breakdown torque	: 320 %
Insulation class	: B		

Notes:

Performed by

Checked

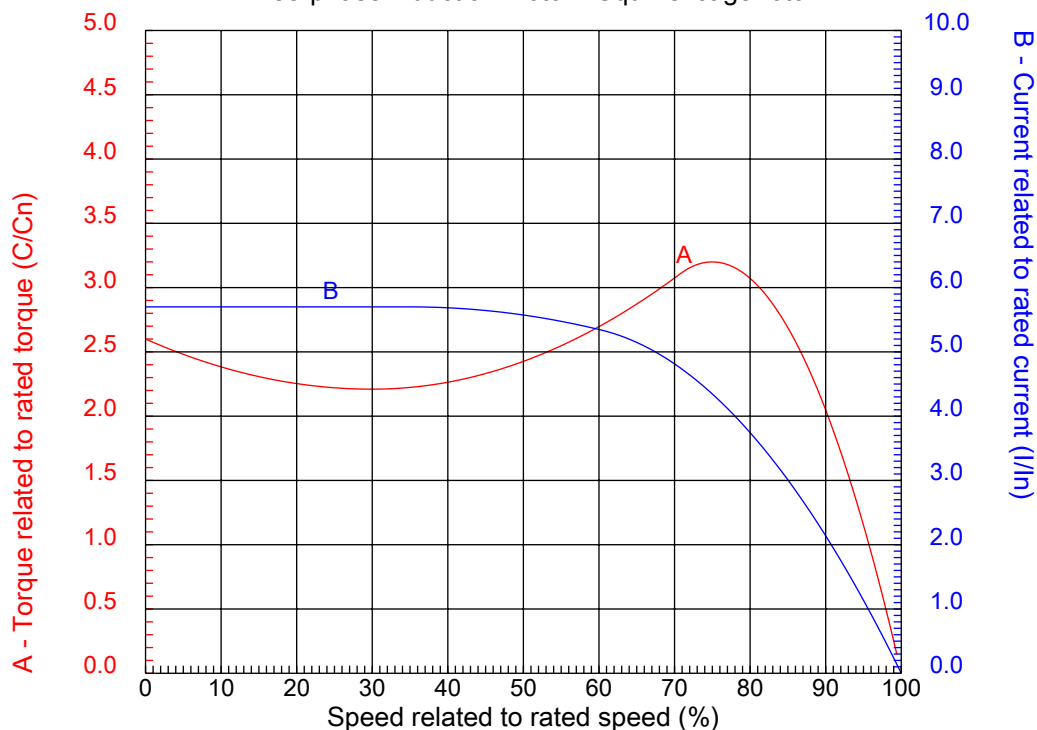


No.:

Date: 28-DEC-2012

CHARACTERISTIC CURVES RELATED TO SPEED

Three-phase induction motor - Squirrel cage rotor



Customer :
Product line : Jet Pump - NEMA 56 : Three-Phase - Threaded - ODP (IP21)

Frame	: A56	Locked rotor current (I/I _{ln})	: 5.7
Output	: 0.33 HP	Duty cycle	: S1
Frequency	: 60 Hz	Service factor	: 1.75 (1.00 at 208V)
Full load speed	: 3500	Design	: A
Voltage	: 208-230/460 V	Locked rotor torque	: 260 %
Rated current	: 1.34-1.40/0.698 A	Breakdown torque	: 320 %
Insulation class	: B		

Notes:

Performed by

Checked

1 2 3 4 5 6 7 8

A

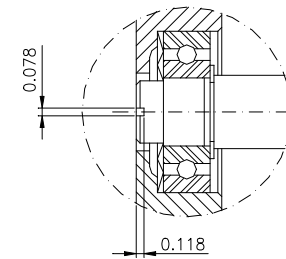
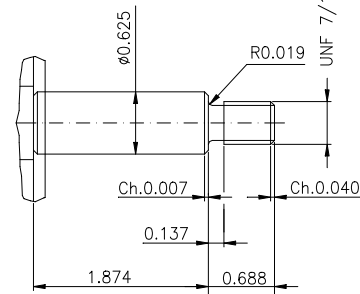
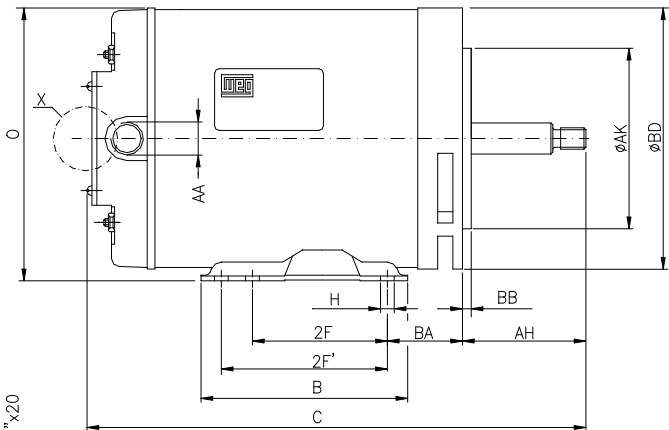
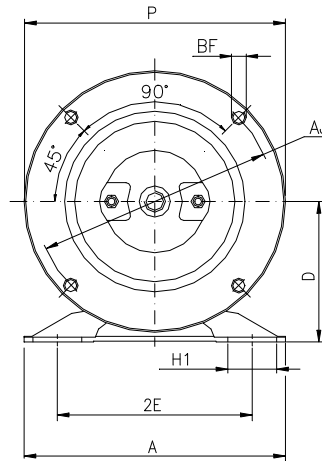
B

C

D

E

F



DETAIL X

THREE-PHASE, FORM J, WITH INTERNAL
 THREAD OF 1/4"x28 UNF AT SHAFT-END,
 FOR CLAMPING THE PUMP ROTOR.

Notes:

Performed by:

Checked:

Customer:

Jet Pump - NEMA 56 : Three-Phase - Threaded - ODP (IP21)

Three-phase induction motor
 Frame A56 - IP21

28-DEC-2012



2E 4.874	2F 3.000	BA 2.748	A 6.535	B 4.016
C 11.004	D 3.500	G 0.120	O 6.378	P 6.496
N-W 1.874	U 0.625	AA NPT 1/2"	Flange FC-149	AJ 5.874
AK 4.500	BD 6.535	BF UNC 3/8"x16	BB 0.157	BC ---
AH 2.563				