



No.:

Date: 28-DEC-2012

Customer :

TECHNICAL PROPOSAL

Three-phase induction motor - Squirrel cage rotor

Product line : Jet Pump - NEMA 56 : Three-Phase - Keyed - ODP (IP21)

Catalog Number : .5036OS3EJPR56C

List Price : \$224

Notes:

Performed by:

Checked:



No.:

Date: 28-DEC-2012

## DATA SHEET

### Three-phase induction motor - Squirrel cage rotor

Customer :  
Product line : Jet Pump - NEMA 56 : Three-Phase - Keyed - ODP (IP21)

Frame : A56  
Output : 0.5 HP  
Frequency : 60 Hz  
Poles : 2  
Full load speed : 3480  
Slip : 3.33 %  
Voltage : 208-230/460 V  
Rated current : 1.90-1.91/0.957 A  
Locked rotor current : 11.5/5.74 A  
Locked rotor current (I<sub>L</sub>/I<sub>n</sub>) : 6.0  
No-load current : 1.39/0.693 A  
Full load torque : 0.744 lb.ft  
Locked rotor torque : 250 %  
Breakdown torque : 300 %  
Design : A  
Insulation class : B  
Temperature rise : 80 K  
Locked rotor time : 15 s (hot)  
Service factor : 1.60 (1.00 at 208V)  
Duty cycle : S1  
Ambient temperature : -20°C - +40°C  
Altitude : 1000  
Degree of Protection : IP21  
Approximate weight : 24 lb  
Moment of inertia : 0.01946 sq.ft.lb  
Noise level : ---

	D.E.	N.D.E.	Load	Power factor	Efficiency (%)
Bearings	6203 2RS	6202 2RS	100%	0.77	66.0
Regreasing interval	---	---	75%	0.68	62.5
Grease amount	---	---	50%	0.57	55.0

Notes:

Performed by

Checked

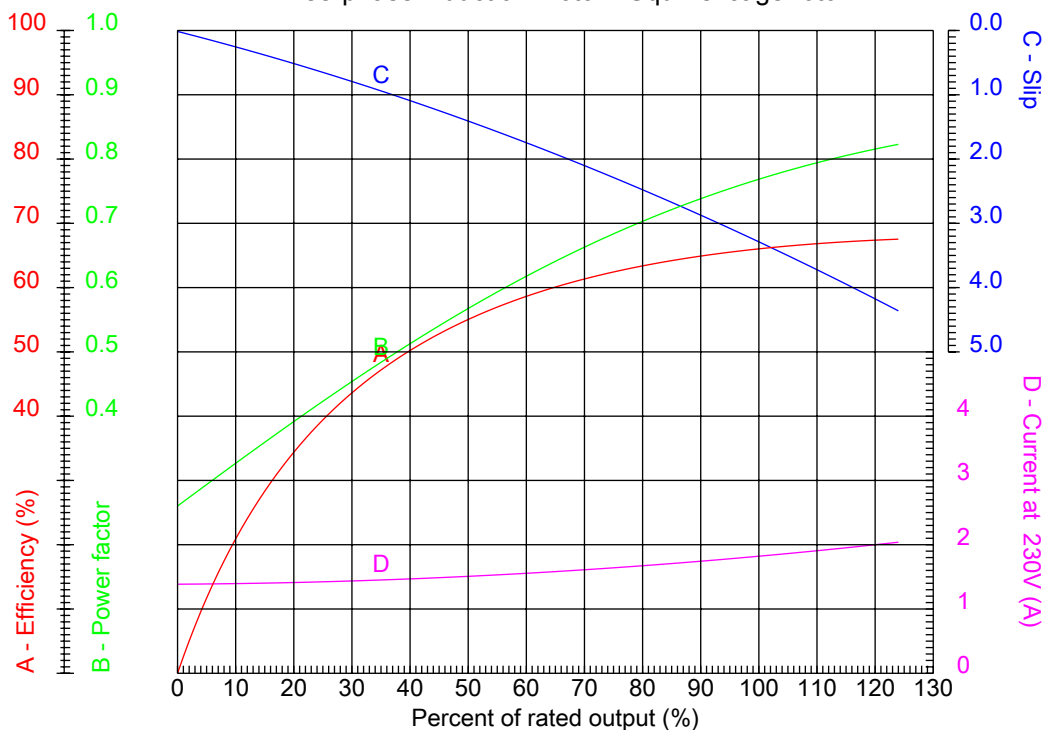


No.:

Date: 28-DEC-2012

### PERFORMANCE CURVES RELATED TO RATED OUTPUT

Three-phase induction motor - Squirrel cage rotor



Customer :  
Product line : Jet Pump - NEMA 56 : Three-Phase - Keyed - ODP (IP21)

Frame : A56	Locked rotor current (I <sub>l</sub> /I <sub>n</sub> ) : 6.0
Output : 0.5 HP	Duty cycle : S1
Frequency : 60 Hz	Service factor : 1.60 (1.00 at 208V)
Full load speed : 3480	Design : A
Voltage : 208-230/460 V	Locked rotor torque : 250 %
Rated current : 1.90-1.91/0.957 A	Breakdown torque : 300 %
Insulation class : B	

Notes:

Performed by

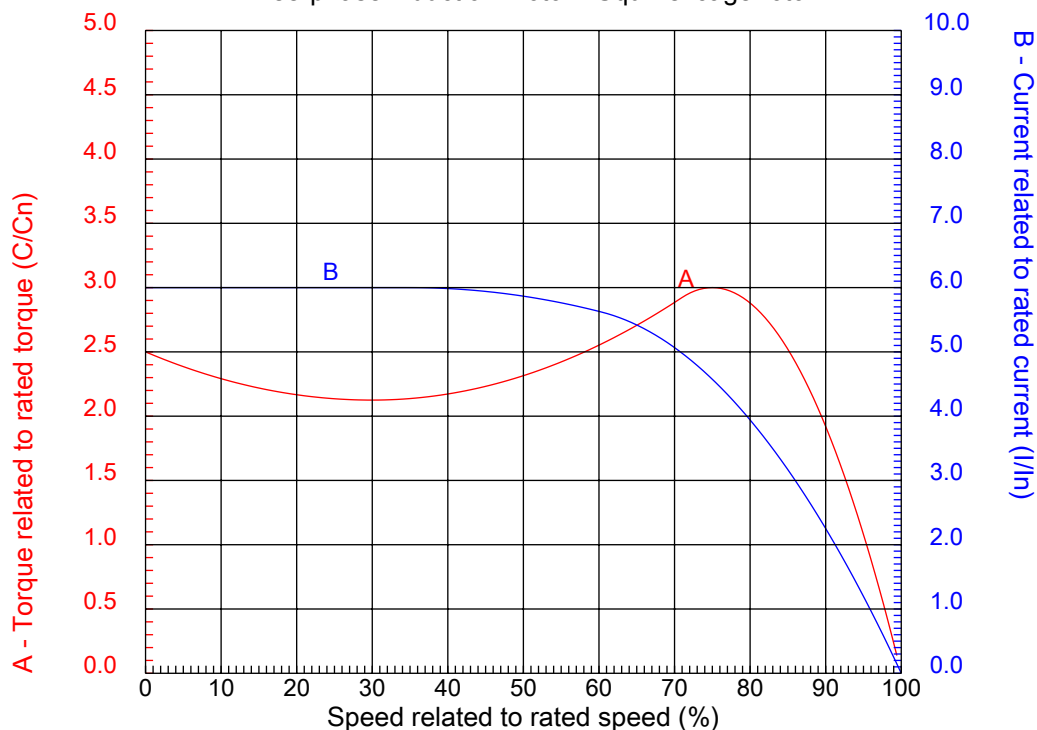
Checked



No.:

Date: 28-DEC-2012

### CHARACTERISTIC CURVES RELATED TO SPEED Three-phase induction motor - Squirrel cage rotor



Customer :  
Product line : Jet Pump - NEMA 56 : Three-Phase - Keyed - ODP (IP21)

Frame	: A56	Locked rotor current (I <sub>l</sub> /I <sub>n</sub> )	: 6.0
Output	: 0.5 HP	Duty cycle	: S1
Frequency	: 60 Hz	Service factor	: 1.60 (1.00 at 208V)
Full load speed	: 3480	Design	: A
Voltage	: 208-230/460 V	Locked rotor torque	: 250 %
Rated current	: 1.90-1.91/0.957 A	Breakdown torque	: 300 %
Insulation class	: B		

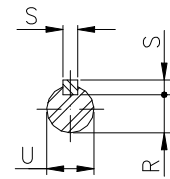
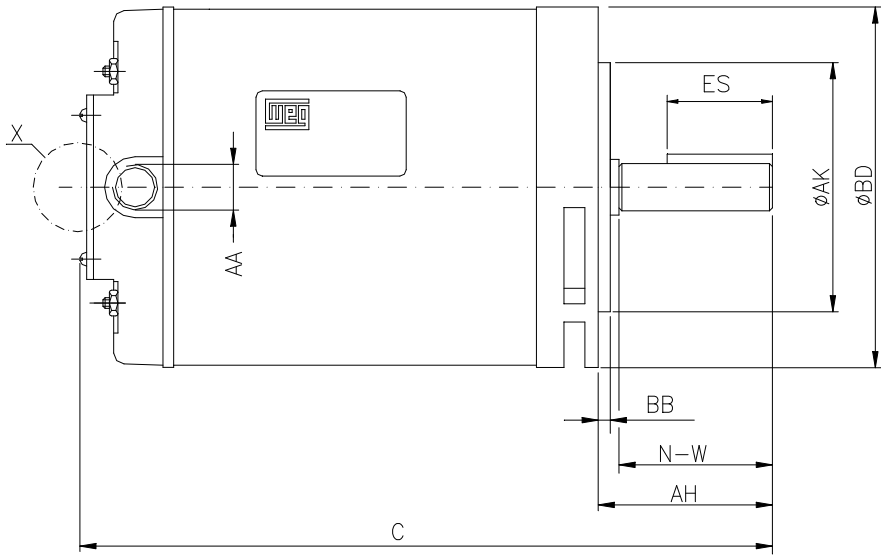
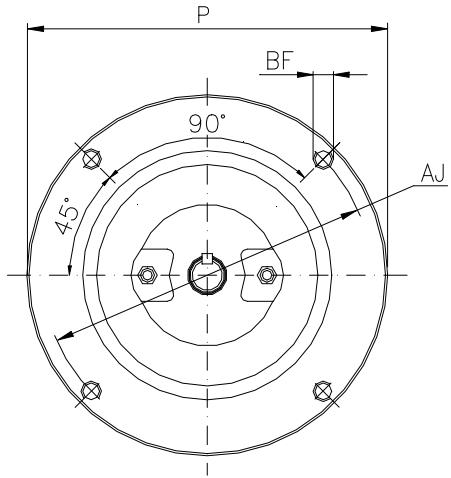
Notes:

Performed by

Checked

1 2 3 4 5 6 7 8

A  
B  
C  
D  
E



Notes:  
 Performed by:  
 Checked:  
 Customer:

C	P	ES	S	N-W
10.315	6.496	1.417	0.187	1.874
U	R	AA	Flange	AJ
0.625	0.517	NPT 1/2"	FC-149	5.874
AK	BD	BF	BB	BC
4.500	6.535	UNC 3/8"x16	0.157	---
AH				
2.063				

Jet Pump - NEMA 56 : Three-Phase - Keyed - ODP (IP21)

Three-phase induction motor  
 Frame A56 - IP21

28-DEC-2012

