



No.:

Date: 28-DEC-2012

Customer :

TECHNICAL PROPOSAL

Three-phase induction motor - Squirrel cage rotor

Product line : Jet Pump - NEMA 56 : Three-Phase - Threaded - ODP (IP21)

Catalog Number : .5036OS3EJPR56J

List Price : \$241

Notes:

Performed by:

Checked:



No.:

Date: 28-DEC-2012

DATA SHEET

Three-phase induction motor - Squirrel cage rotor

Customer :
Product line : Jet Pump - NEMA 56 : Three-Phase - Threaded - ODP (IP21)

Frame : A56
Output : 0.5 HP
Frequency : 60 Hz
Poles : 2
Full load speed : 3480
Slip : 3.33 %
Voltage : 208-230/460 V
Rated current : 1.90-1.91/0.957 A
Locked rotor current : 11.5/5.74 A
Locked rotor current (I_L/I_n) : 6.0
No-load current : 1.39/0.693 A
Full load torque : 0.744 lb.ft
Locked rotor torque : 250 %
Breakdown torque : 300 %
Design : A
Insulation class : B
Temperature rise : 80 K
Locked rotor time : 15 s (hot)
Service factor : 1.60 (1.00 at 208V)
Duty cycle : S1
Ambient temperature : -20°C - +40°C
Altitude : 1000
Degree of Protection : IP21
Approximate weight : 25 lb
Moment of inertia : 0.01946 sq.ft.lb
Noise level : ---

	D.E.	N.D.E.	Load	Power factor	Efficiency (%)
Bearings	6203 2RS	6202 2RS	100%	0.77	66.0
Regreasing interval	---	---	75%	0.68	62.5
Grease amount	---	---	50%	0.57	55.0

Notes:

Performed by

Checked

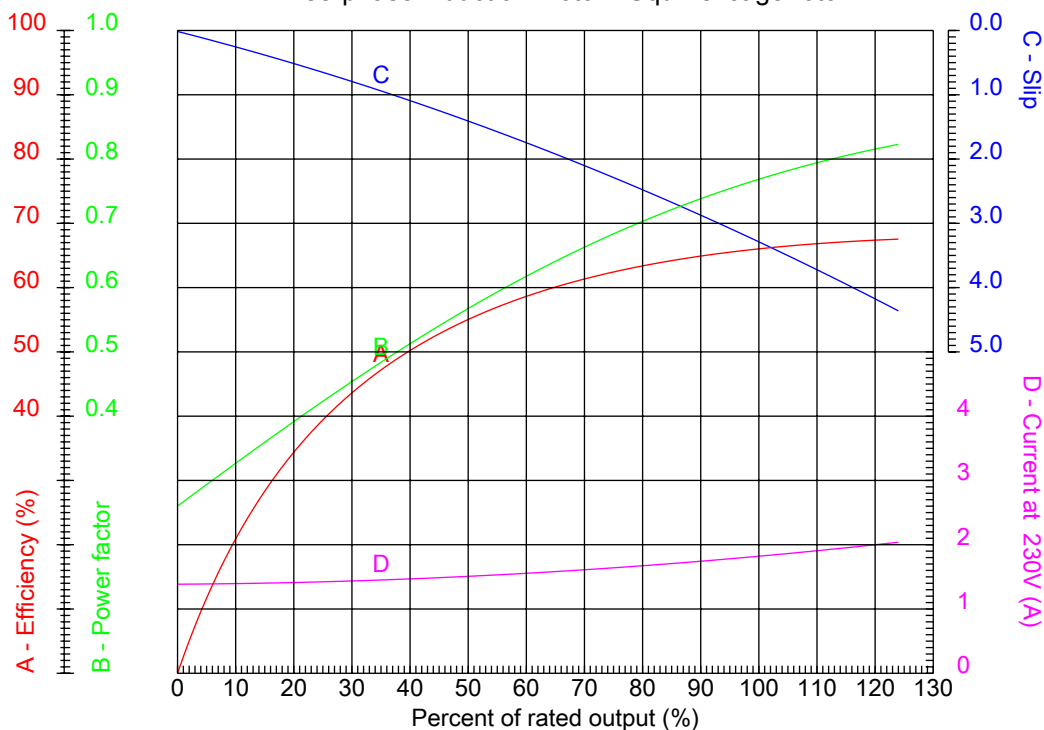


No.:

Date: 28-DEC-2012

PERFORMANCE CURVES RELATED TO RATED OUTPUT

Three-phase induction motor - Squirrel cage rotor



Customer :
Product line : Jet Pump - NEMA 56 : Three-Phase - Threaded - ODP (IP21)

Frame : A56	Locked rotor current (I _l /I _n) : 6.0
Output : 0.5 HP	Duty cycle : S1
Frequency : 60 Hz	Service factor : 1.60 (1.00 at 208V)
Full load speed : 3480	Design : A
Voltage : 208-230/460 V	Locked rotor torque : 250 %
Rated current : 1.90-1.91/0.957 A	Breakdown torque : 300 %
Insulation class : B	

Notes:

Performed by

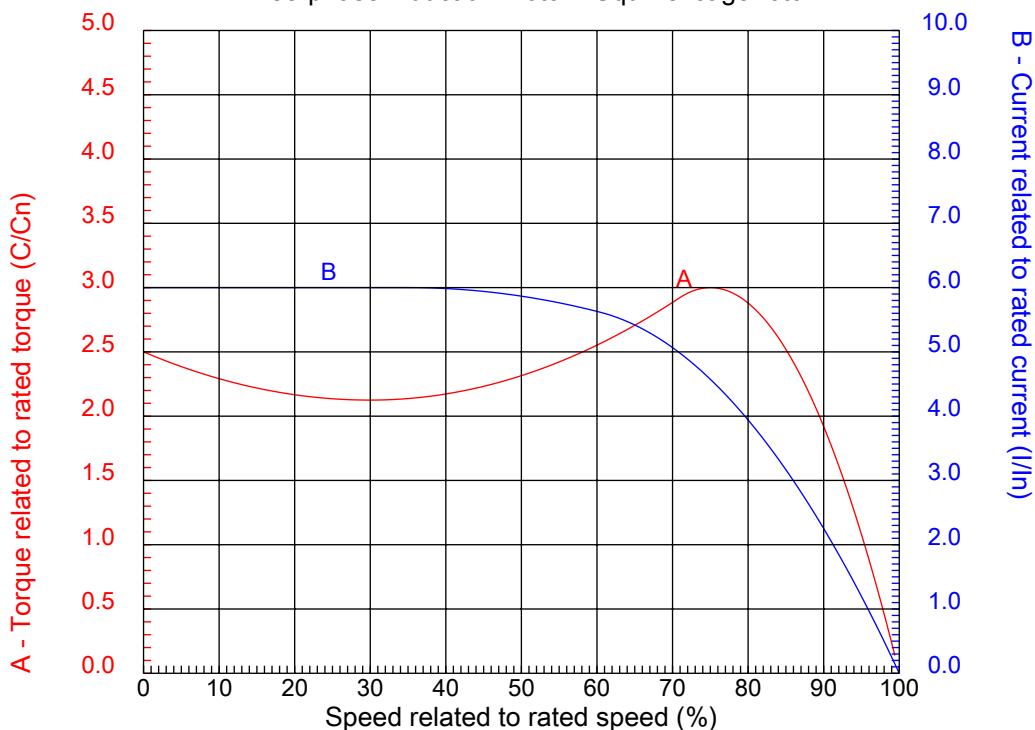
Checked



No.:

Date: 28-DEC-2012

CHARACTERISTIC CURVES RELATED TO SPEED Three-phase induction motor - Squirrel cage rotor



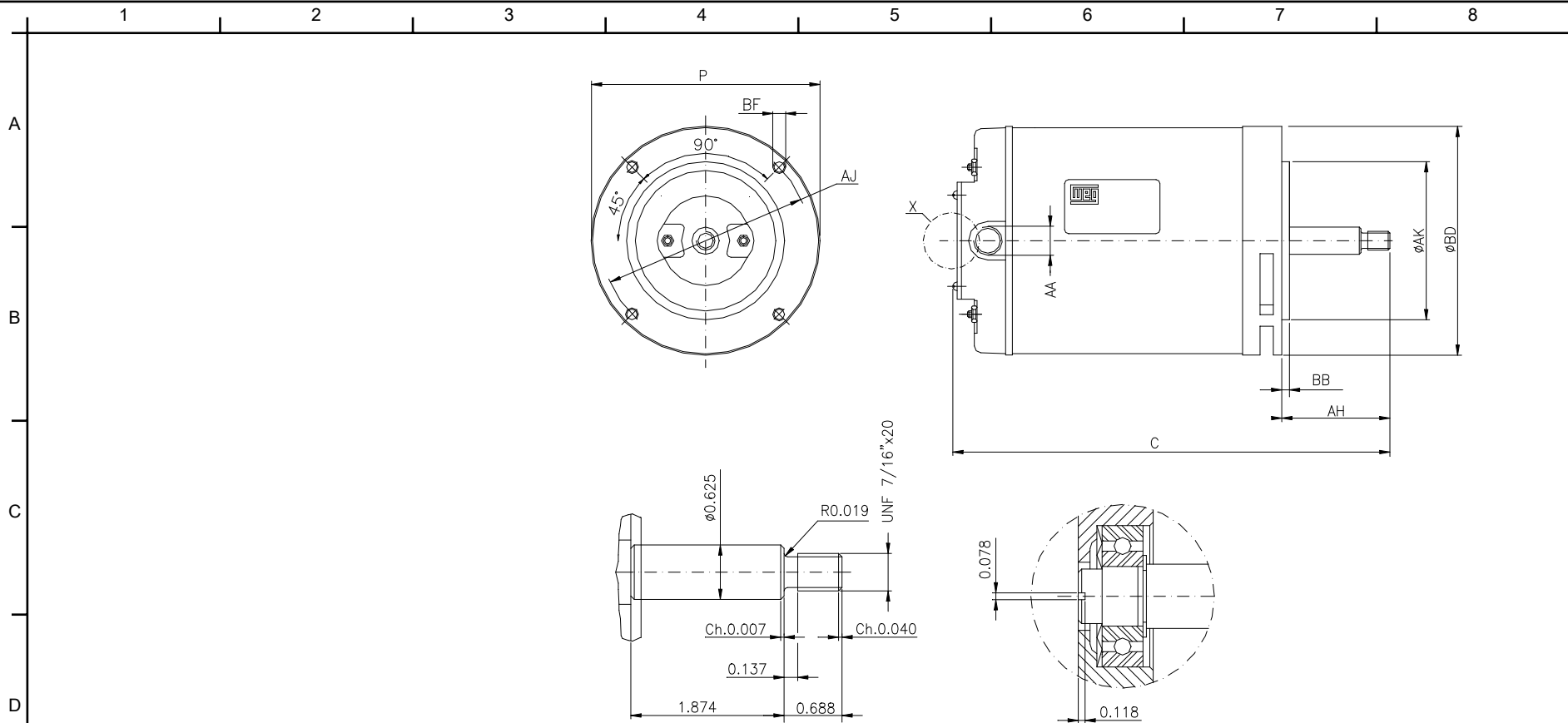
Customer :
Product line : Jet Pump - NEMA 56 : Three-Phase - Threaded - ODP (IP21)

Frame	: A56	Locked rotor current (I/I _n)	: 6.0
Output	: 0.5 HP	Duty cycle	: S1
Frequency	: 60 Hz	Service factor	: 1.60 (1.00 at 208V)
Full load speed	: 3480	Design	: A
Voltage	: 208-230/460 V	Locked rotor torque	: 250 %
Rated current	: 1.90-1.91/0.957 A	Breakdown torque	: 300 %
Insulation class	: B		

Notes:

Performed by

Checked



THREE-PHASE, FORM J, WITH INTERNAL
 THREAD OF 1/4"x28 UNF AT SHAFT-END,
 FOR CLAMPING THE PUMP ROTOR.

DETAIL X

Notes:

Performed by:

Checked:

Customer:

Jet Pump - NEMA 56 : Three-Phase - Threaded - ODP (IP21)

C	P	N-W	U	AA
11.004	6.496	1.874	0.625	NPT 1/2"
Flange	AJ	AK	BD	BF
FC-149	5.874	4.500	6.535	UNC 3/8"x16
BB	BC	AH		
0.157	---	2.563		

Three-phase induction motor
 Frame A56 - IP21

28-DEC-2012

