



No.:

Date: 28-DEC-2012

Customer :

TECHNICAL PROPOSAL

Three-phase induction motor - Squirrel cage rotor

Product line : Jet Pump - NEMA 56 : Three-Phase - Threaded - ODP (IP21)

Catalog Number : .7536OS3EJP56J

List Price : \$271

Notes:

Performed by:

Checked:



No.:

Date: 28-DEC-2012

DATA SHEET

Three-phase induction motor - Squirrel cage rotor

Customer :
Product line : Jet Pump - NEMA 56 : Three-Phase - Threaded - ODP (IP21)

Frame : B56
Output : 0.75 HP
Frequency : 60 Hz
Poles : 2
Full load speed : 3455
Slip : 4.03 %
Voltage : 208-230/460 V
Rated current : 2.55-2.39/1.20 A
Locked rotor current : 13.6/6.82 A
Locked rotor current (I_L/I_n) : 5.7
No-load current : 1.53/0.765 A
Full load torque : 1.12 lb.ft
Locked rotor torque : 240 %
Breakdown torque : 260 %
Design : A
Insulation class : B
Temperature rise : 80 K
Locked rotor time : 15 s (hot)
Service factor : 1.50 (1.00 at 208V)
Duty cycle : S1
Ambient temperature : -20°C - +40°C
Altitude : 1000
Degree of Protection : IP21
Approximate weight : 26 lb
Moment of inertia : 0.02207 sq.ft.lb
Noise level : ---

	D.E.	N.D.E.	Load	Power factor	Efficiency (%)
Bearings	6203 2RS	6202 2RS	100%	0.81	72.0
Regreasing interval	---	---	75%	0.72	70.0
Grease amount	---	---	50%	0.61	64.0

Notes:

Performed by

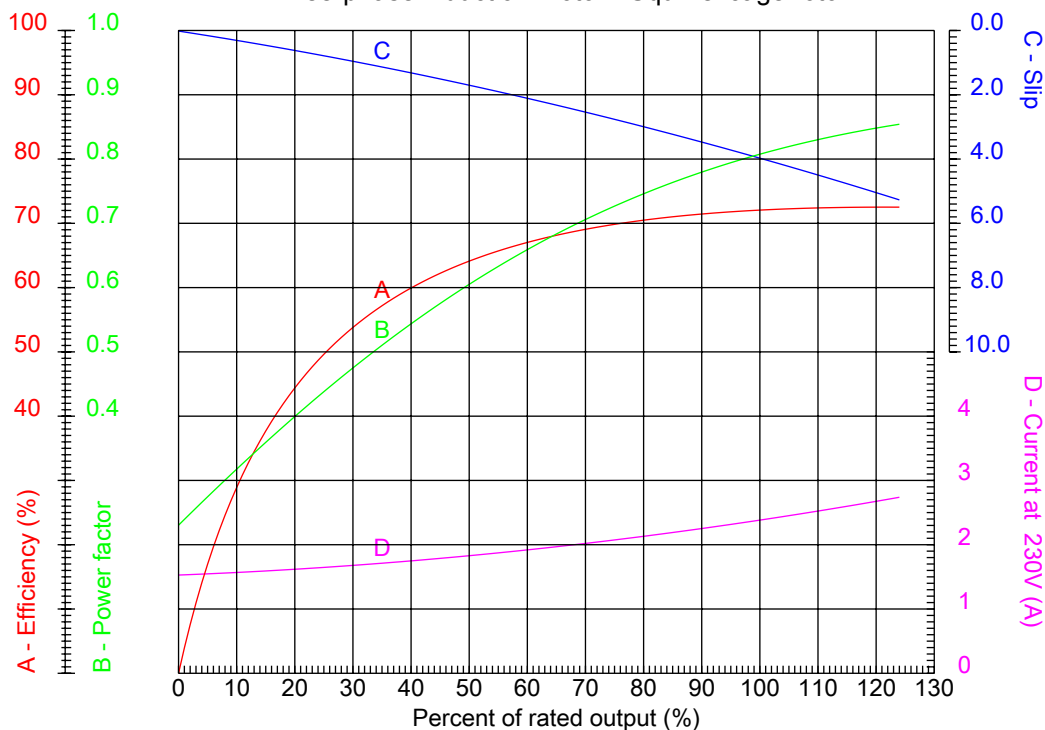
Checked



No.:

Date: 28-DEC-2012

PERFORMANCE CURVES RELATED TO RATED OUTPUT
Three-phase induction motor - Squirrel cage rotor



Customer :
Product line : Jet Pump - NEMA 56 : Three-Phase - Threaded - ODP (IP21)

Frame	: B56	Locked rotor current (I _l /I _n)	: 5.7
Output	: 0.75 HP	Duty cycle	: S1
Frequency	: 60 Hz	Service factor	: 1.50 (1.00 at 208V)
Full load speed	: 3455	Design	: A
Voltage	: 208-230/460 V	Locked rotor torque	: 240 %
Rated current	: 2.55-2.39/1.20 A	Breakdown torque	: 260 %
Insulation class	: B		

Notes:

Performed by

Checked

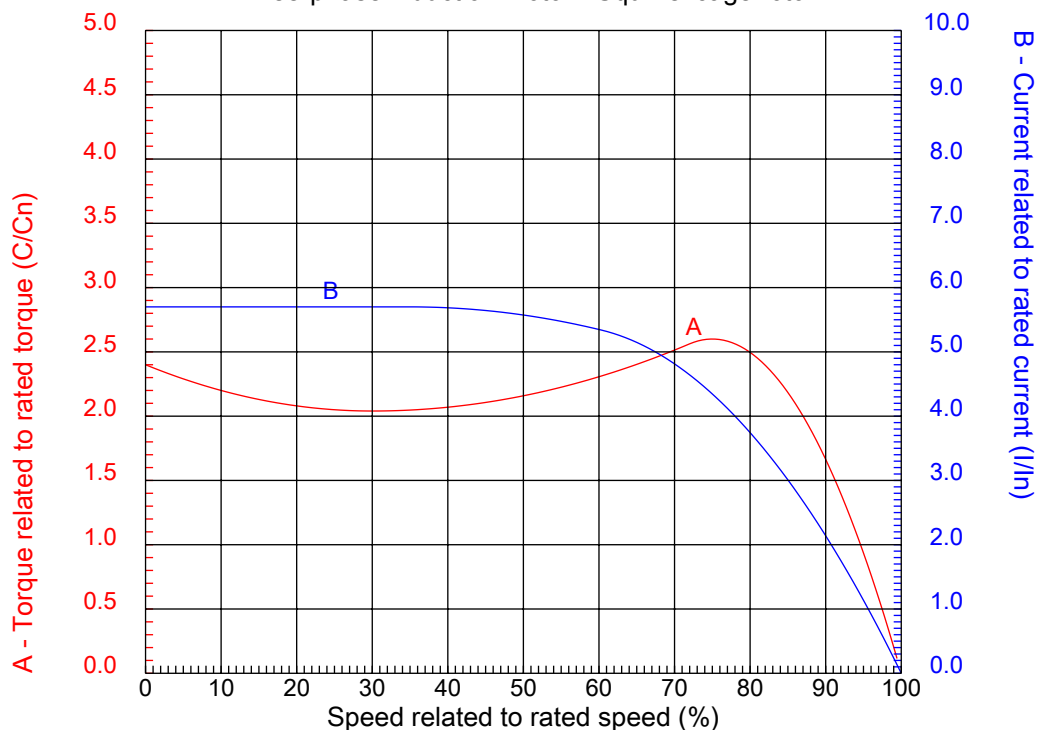


No.:

Date: 28-DEC-2012

CHARACTERISTIC CURVES RELATED TO SPEED

Three-phase induction motor - Squirrel cage rotor



Customer :
Product line : Jet Pump - NEMA 56 : Three-Phase - Threaded - ODP (IP21)

Frame	: B56	Locked rotor current (I _l /I _n)	: 5.7
Output	: 0.75 HP	Duty cycle	: S1
Frequency	: 60 Hz	Service factor	: 1.50 (1.00 at 208V)
Full load speed	: 3455	Design	: A
Voltage	: 208-230/460 V	Locked rotor torque	: 240 %
Rated current	: 2.55-2.39/1.20 A	Breakdown torque	: 260 %
Insulation class	: B		

Notes:

Performed by

Checked

1 2 3 4 5 6 7 8

A

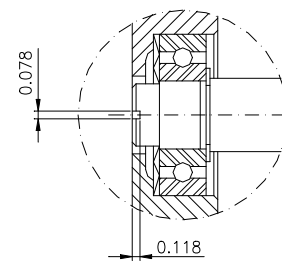
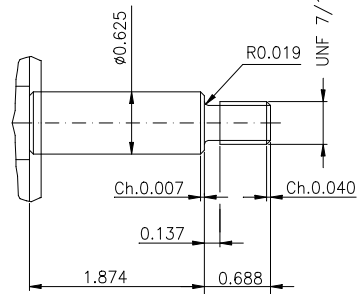
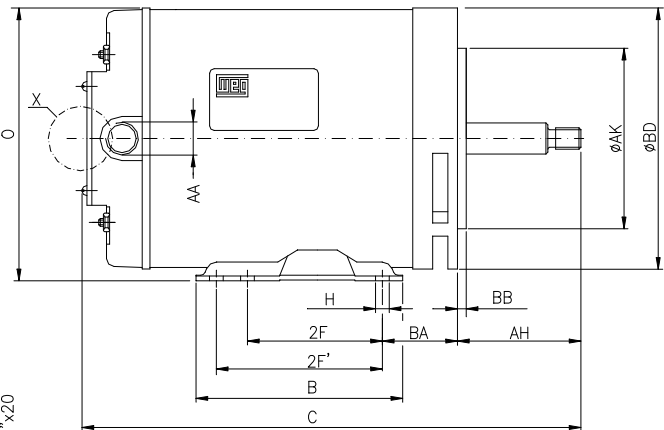
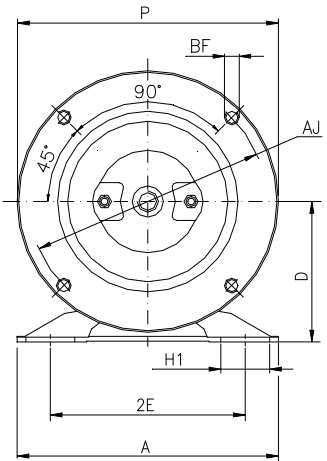
B

C

D

E

F



DETAIL X

THREE-PHASE, FORM J, WITH INTERNAL
 THREAD OF 1/4"x28 UNF AT SHAFT-END,
 FOR CLAMPING THE PUMP ROTOR.

Notes:

Performed by:

Checked:

Customer:

Jet Pump - NEMA 56 : Three-Phase - Threaded - ODP (IP21)

Three-phase induction motor
 Frame B56 - IP21

28-DEC-2012



2E 4.874	2F 3.000	BA 2.748	A 6.535	B 4.016
C 11.791	D 3.500	G 0.120	O 6.772	P 6.496
AA NPT 1/2"	Flange FC-149	AJ 5.874	AK 4.500	BD 6.535
BF UNC 3/8"x16-2B	BB 0.157	BC ---	AH	