



No.:

Date: 28-DEC-2012

Customer :

TECHNICAL PROPOSAL

Three-phase induction motor - Squirrel cage rotor

Product line : Jet Pump - NEMA 56 : Three-Phase - Threaded - ODP (IP21)

Catalog Number : .7536OS3EJPR56J

List Price : \$278

Notes:

Performed by:

Checked:



No.:

Date: 28-DEC-2012

## DATA SHEET

### Three-phase induction motor - Squirrel cage rotor

Customer :  
Product line : Jet Pump - NEMA 56 : Three-Phase - Threaded - ODP (IP21)

Frame : B56  
Output : 0.75 HP  
Frequency : 60 Hz  
Poles : 2  
Full load speed : 3455  
Slip : 4.03 %  
Voltage : 208-230/460 V  
Rated current : 2.55-2.39/1.20 A  
Locked rotor current : 13.6/6.82 A  
Locked rotor current (I<sub>L</sub>/I<sub>n</sub>) : 5.7  
No-load current : 1.53/0.765 A  
Full load torque : 1.12 lb.ft  
Locked rotor torque : 240 %  
Breakdown torque : 260 %  
Design : A  
Insulation class : B  
Temperature rise : 80 K  
Locked rotor time : 15 s (hot)  
Service factor : 1.50 (1.00 at 208V)  
Duty cycle : S1  
Ambient temperature : -20°C - +40°C  
Altitude : 1000  
Degree of Protection : IP21  
Approximate weight : 26 lb  
Moment of inertia : 0.02207 sq.ft.lb  
Noise level : ---

	D.E.	N.D.E.	Load	Power factor	Efficiency (%)
Bearings	6203 2RS	6202 2RS	100%	0.81	72.0
Regreasing interval	---	---	75%	0.72	70.0
Grease amount	---	---	50%	0.61	64.0

Notes:

Performed by

Checked

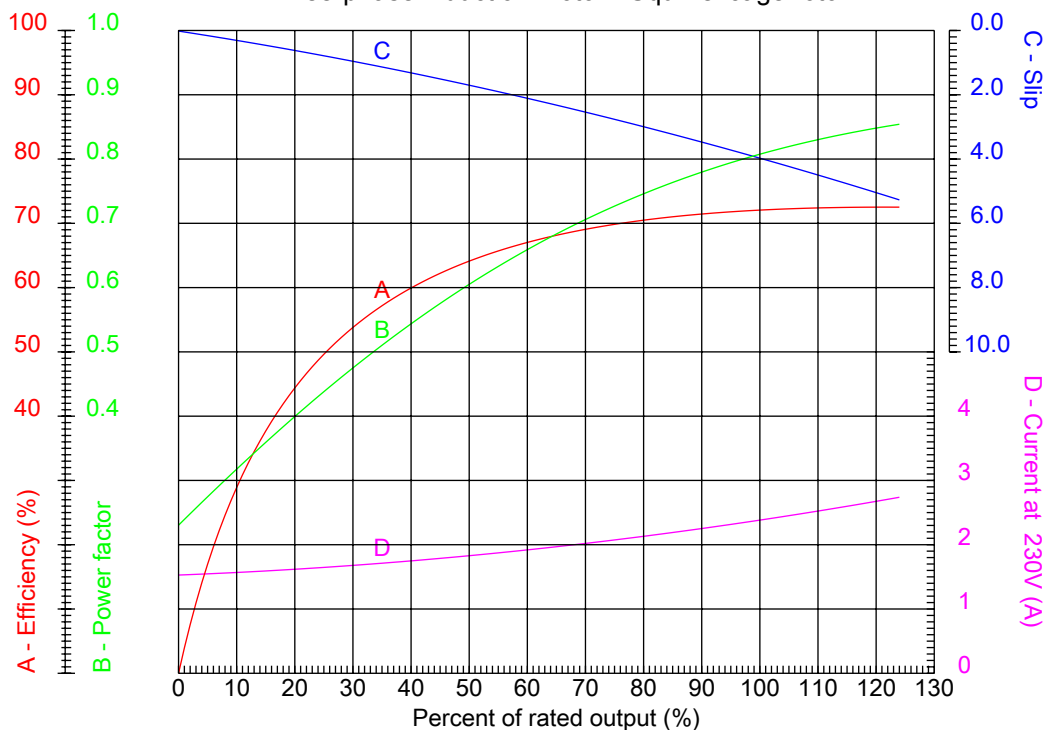


No.:

Date: 28-DEC-2012

PERFORMANCE CURVES RELATED TO RATED OUTPUT

Three-phase induction motor - Squirrel cage rotor



Customer :  
 Product line : Jet Pump - NEMA 56 : Three-Phase - Threaded - ODP (IP21)

Frame	: B56	Locked rotor current (I <sub>l</sub> /I <sub>n</sub> )	: 5.7
Output	: 0.75 HP	Duty cycle	: S1
Frequency	: 60 Hz	Service factor	: 1.50 (1.00 at 208V)
Full load speed	: 3455	Design	: A
Voltage	: 208-230/460 V	Locked rotor torque	: 240 %
Rated current	: 2.55-2.39/1.20 A	Breakdown torque	: 260 %
Insulation class	: B		

Notes:

Performed by

Checked

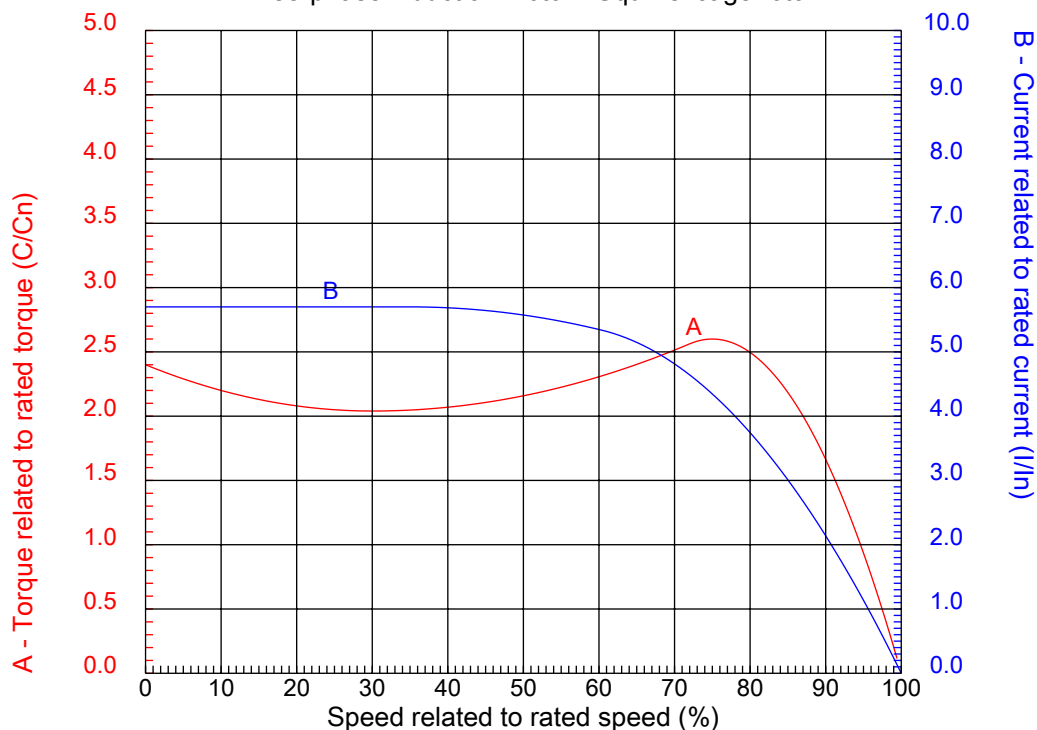


No.:

Date: 28-DEC-2012

### CHARACTERISTIC CURVES RELATED TO SPEED

Three-phase induction motor - Squirrel cage rotor



Customer :  
Product line : Jet Pump - NEMA 56 : Three-Phase - Threaded - ODP (IP21)

Frame	: B56	Locked rotor current (I <sub>l</sub> /I <sub>n</sub> )	: 5.7
Output	: 0.75 HP	Duty cycle	: S1
Frequency	: 60 Hz	Service factor	: 1.50 (1.00 at 208V)
Full load speed	: 3455	Design	: A
Voltage	: 208-230/460 V	Locked rotor torque	: 240 %
Rated current	: 2.55-2.39/1.20 A	Breakdown torque	: 260 %
Insulation class	: B		

Notes:

Performed by

Checked

1 2 3 4 5 6 7 8

A

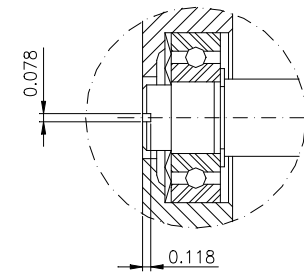
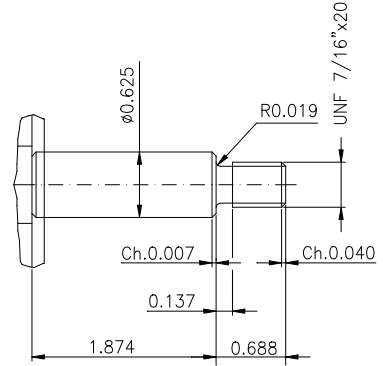
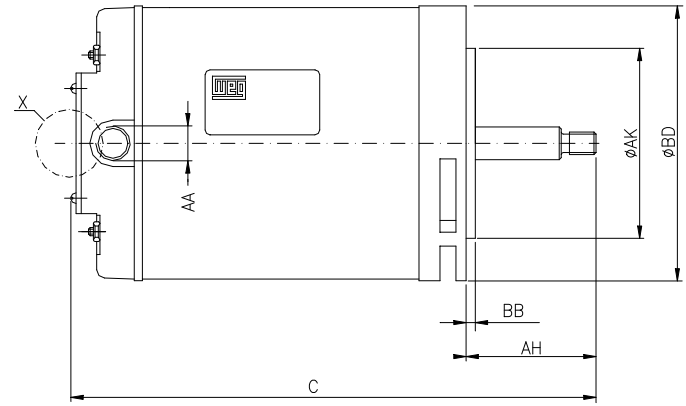
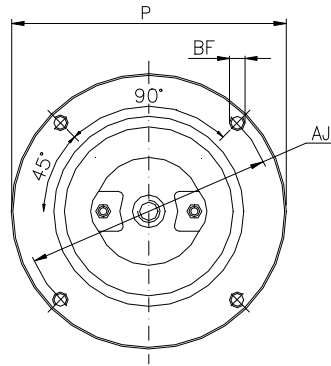
B

C

D

E

F



THREE-PHASE, FORM J, WITH INTERNAL  
 THREAD OF 1/4"x28 UNF AT SHAFT-END,  
 FOR CLAMPING THE PUMP ROTOR.

DETAIL X

Notes:

Performed by:

Checked:

Customer:

Jet Pump - NEMA 56 : Three-Phase - Threaded - ODP (IP21)

C 11.791	P 6.496	AA NPT 1/2"	Flange FC-149	AJ 5.874
AK 4.500	BD 6.535	BF UNC 3/8"x16-2B	BB 0.157	BC ---
AH				

Three-phase induction motor  
 Frame B56 - IP21

28-DEC-2012

