

Explosion-Proof LED Warning Light with XLT™

Model 27XL

Federal Signal's Model 27XL explosion-proof LED light with XLT™ produces 60 high-intensity flashes per minute. This warning light operates on 24VDC, 120VAC, and 240VAC 50/60Hz and is UL Listed for Class I, Division 1, Groups C & D; Class II, Division 1, Groups E, F & G; Class I, Division 2, Groups A, B; and Class III. The 27XL is also Marine Rated.

eXtreme Light Technology (XLT) is a break through high-intensity LED array designed to meet the demands of industrial customers, producing maximum light output and superior lens fill. Configurable to either steady burning state or flashing mode XLT provides improved performance over standard LED's and increased versatility while maintaining low power consumption and vibration resistances expected from LED signals.

The 27XL features a standard low in-rush circuitry design that provides greater compatibility with factory automation control systems and less electrical interference with in-rush sensitive devices.

The 27XL is Type 4X rated; constructed to IP66. Corrosion resistance is achieved with a powder epoxy finish applied over the copper-free aluminum housing. All exposed hardware is 316 grade stainless steel.

A pendant mount is supplied and a ceiling mount and 90° wall mount are available options. For easy installation, the mounting box is first installed and the fixture is then threaded onto the mounting box, making the electrical connection. Electrical continuity is made when five threads are engaged.

Federal Signal's Model 27XL is specifically designed for explosion-proof atmospheres and/or corrosive environments. Because it is easy to install and requires very low maintenance, it is ideal for use in areas such as oil rigs, mines, refineries, and chemical plants.



DESIGNED FOR USE IN EXPLOSION-PROOF ATMOSPHERES

- XLT™ Technology
- Available in 24VDC, 120VAC and 240VAC
- Available in flashing or steady-burn mode
- Four lens colors
- 60,000 hour LED
- 3/4 - inch pendant mount standard; other options available
- Dome guard optional
- UL and cUL Listed
- Type 4X, IP66 enclosure
- Marine Listed

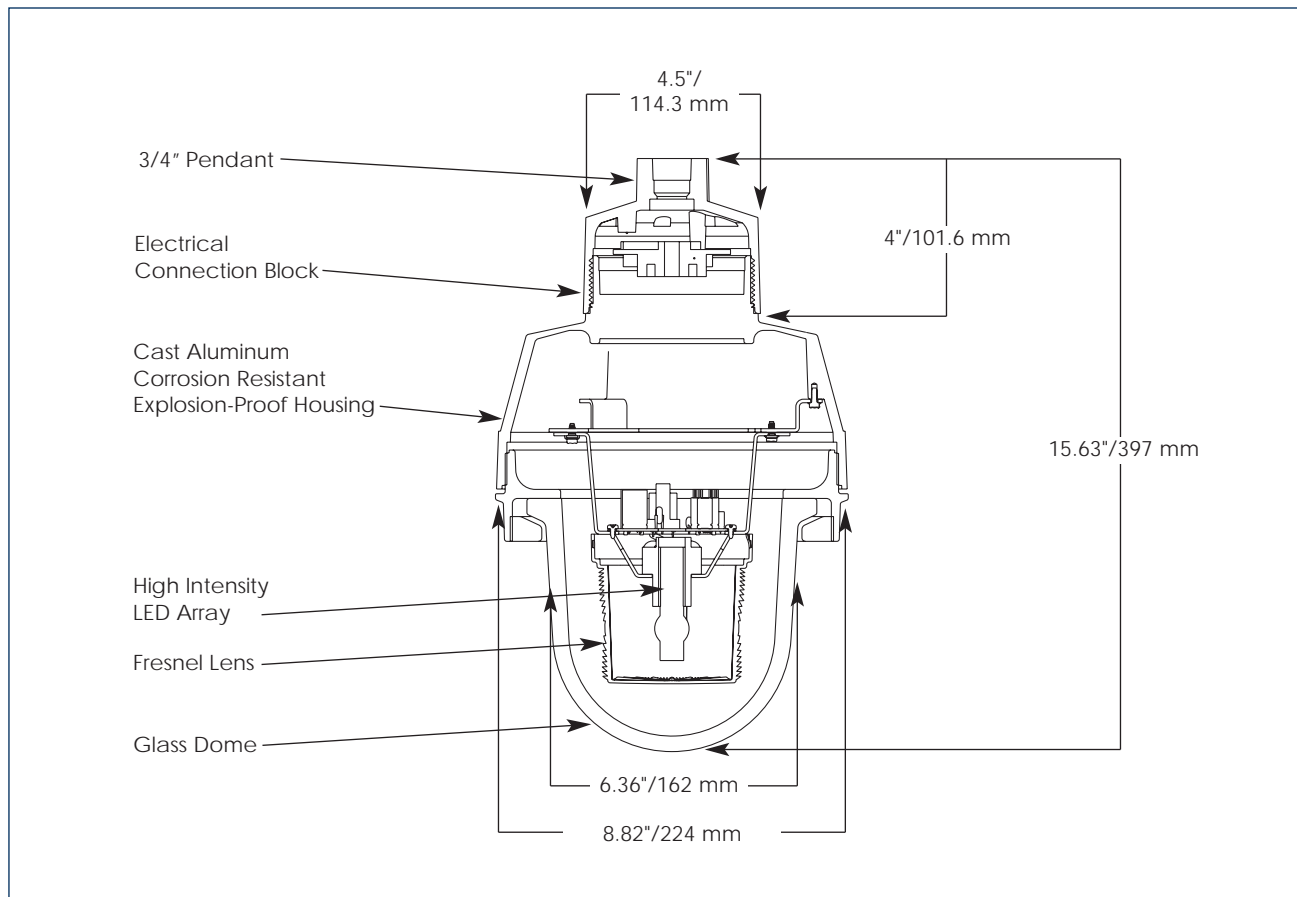
Model	Voltage	Operating Current	Flash Rate/Minute	Mount
27XL	24VDC	380mA	60	3/4" Pendant
27XL	120VAC	210mA	60	3/4" Pendant
27XL	240VAC	130mA	60	3/4" Pendant



¹ Peak candela is the maximum light intensity generated by a flashing light during its light pulse through amber lens

² ECP (Effective Candela) is the intensity that would appear to an observer if the light were burning steadily through amber lens

EXPLOSION-PROOF LED LIGHT (27XL)



SPECIFICATIONS

Lamp Life*:	60,000 hours	60,000 hours
Lamp Style:	LED	LED
Ambient Temp. Range:	-55°C to 70°C	Canada -25° to 65°C USA
Net Weight:	14.1 lbs.	6.45 kg
Shipping Weight:	18.4 lbs.	8.35 kg
Height:	15.63"	397.0 mm
Diameter:	8.82"	224.0 mm

* Optimal hours under ideal conditions.

HOW TO ORDER

- Specify model, voltage and color
- Specify options:
Dome Guard (DGXC)
Ceiling Mount (CMXC)
Wall Mount (WMXC)
- Please refer to Model Number Index 27XL beginning on page 374

REPLACEMENT PARTS

<i>Description</i>	<i>Part Number</i>	<i>Description</i>	<i>Part Number</i>
Exterior Dome Assembly, Clear	K8444C271A-01	PC board assembly, 24VDC	K2005455A
Interior Lens Assembly, Amber	K8550C095A-02	PC board assembly, 120/240VAC	K2005416A
Interior Lens Assembly, Blue	K8550C095A-01	LED array, Amber	K147169A
Interior Lens Assembly, Green	K8550C095A-04	LED array, Blue	K147169A-01
Interior Lens Assembly, Red	K8550C095A-03	LED array, Green	K147169A-02
		LED array, Red	K147169A-03