



SelectTone® Audible Signaling Device

Model 300GC

PLANT-WIDE WARNING AND VOICE COMMUNICATION

- Available in 24VAC/VDC, 120VAC and 240VAC
- Built-in gain control
- Produces 0dBa to 110dBa @ 10' (0dBa to 120dBa @ 1m)
- Type 3R, IP54 enclosure
- Digital signal amplification
- Fused input & output
- UL 1480 and CSFM Approved
- UL and cUL Listed

Federal Signal's Model 300GC SelectTone® Speaker Amplifier is designed to produce crisp, clear tones, digital voice messages and live public address in harsh environments with high ambient noise levels.

The rugged speaker cone and projector are constructed of spun aluminum. The internal circuitry, tone module, and gain control are contained in a housing constructed of die-cast aluminum. All surfaces are sealed with powder-coat paint. Dust- and moisture-proof gaskets provide protection from the elements.

The 300GC is UL Listed for indoor and outdoor use. It has been designed, tested and approved for use in Type 3R applications.

Internal gain control allows output adjustment from 0dBa to a maximum of 110dBa at 10 feet.

SelectTone Speaker Amplifiers are used individually or as part of a plant-wide emergency notification system. The Model UTM Universal Tone Module, with 32 tones, or the TM33 Custom Tone Module is plugged into a single SelectTone Speaker Amplifier for stand-alone use or into a SelectTone Command Unit for plant-wide signaling.

For plant-wide signaling, a Connector Kit is installed into each SelectTone Speaker Amplifier and wired to a central controller. SelectTone Command Units and CommCenter® Digital Message Centers broadcast tones, voice messages, melodies and live public address to an unlimited number of SelectTone Speaker Amplifiers.

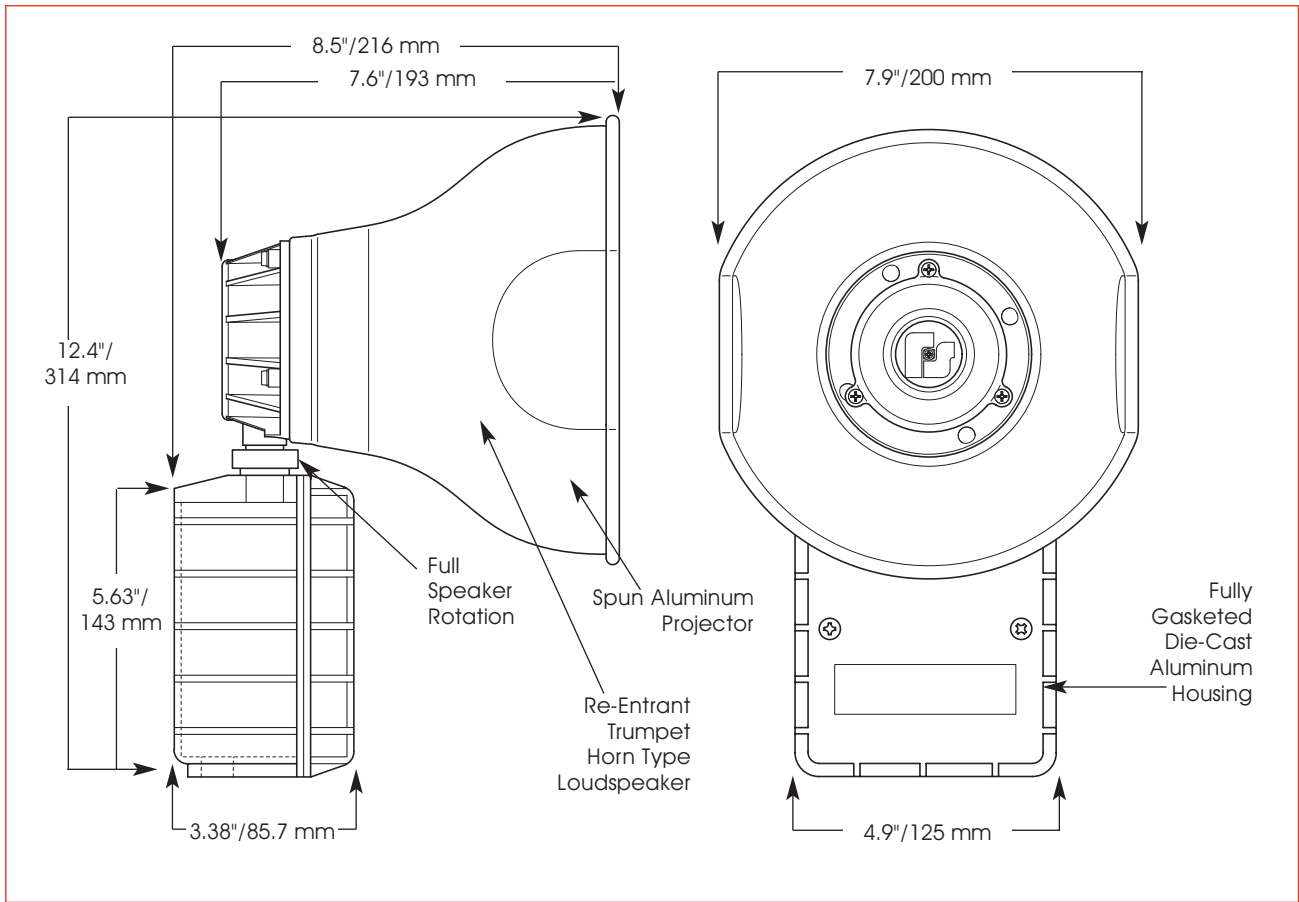
Typical applications for SelectTone include emergency warning, plant evacuation, start and dismissal, public address, and process control signaling.

Model	Voltage	Operating ¹ Current	Standby Current	Decibels @ 10'	Decibels @ 1m
300GC	24VDC	1.10 amps	0.15 amps	110	120
300GC	24VAC 50/60Hz	1.10 amps	0.35 amps	110	120
300GC	120VAC 50/60Hz	0.30 amps	0.15 amps	110	120
300GC	240VAC 50/60Hz	0.20 amps	0.06 amps	110	120

¹ Operating current per UL measured maximum



SELECTONE® AUDIBLE SIGNALING DEVICE (300GC)



SPECIFICATIONS

Operating Temperature:	-67°F to 150°F	-55°C to 66°C
Net Weight:		
24VDC	4.5 lbs.	2.0 kg
120/240VAC	5.5 lbs.	2.5 kg
Shipping Weight:		
24VDC	5.7 lbs.	2.6 kg
120/240VAC	6.7 lbs.	3.0 kg
Height:	12.4"	314.0 mm
Width:	7.9"	200.0 mm
Depth:	8.5"	216.0 mm

REPLACEMENT PARTS

<u>Description</u>	<u>Part Number</u>
Amplifier Assembly, 24VAC/DC	K2005356A-05
Amplifier Assembly, 120/240VAC	K2005356A-04
Transformer, 120VAC	K120857A
Transformer, 240VAC	K120858A
Speaker Assembly	K8593082A
Voice Coil, Series C	K8593035A

HOW TO ORDER

- Specify model number and voltage
- Specify Tone Module for stand alone operation
 - Universal Tone Module (UTM)
 - Custom Tone Module (TM33)
- Specify Connector Kit for use in systems (Call Factory for system design assistance)
 - Connector Kit (300CK)
 - Supervised Connector Kit (300CKS)
 - 25Vrms Connector Kit (AM25CK)
 - 70Vrms Connector Kit (AM70CK)
- Please refer to Model Number Index 300GC beginning on page 378