



Air Horns

Models 3H, 4H, 4M and 6H

DESIGNED FOR USE IN HAZARDOUS LOCATIONS

- Available in 120VAC
- Wide variety of tones and sizes
- For indoor/outdoor use
- Type 4X enclosure

Federal Signal offers a line of air horns in a variety of tones and sizes for the industrial marketplace. High, medium and low tones are available which provides a wide range of frequencies and high sound output.

Federal Signal air horns feature a one-piece, cast aluminum alloy housing which has been treated to provide corrosion resistance. The horns include specialized long-lasting stainless steel diaphragms. These precisely machined horns will yield peak performance at proper working air pressures and are virtually indestructible. The 3- and 4-inch horns (Models 3H, 4H, 4M) have threaded female pipe connections. The Model 6H features flanges for additional support.

Federal Signal air horns operate with 20 to 150 p.s.i., (pounds per square inch) but they are tuned for 80 to 90 p.s.i. operation. The horn frequency (pitch) depends on both the diameter and length of the projector. Decibel output at 10 feet is 122dBa (132dBa @ 1m).

The horns require a 120VAC Federal Signal air valve. Use Model EVS with the 3H, Model EVM with the 4M and Model EVL with the 6H.

Air horns can be used indoors, outdoors, or anywhere compressed air can be provided.

Federal Signal Air Horns are the loudest audible signals offered for indoor applications.

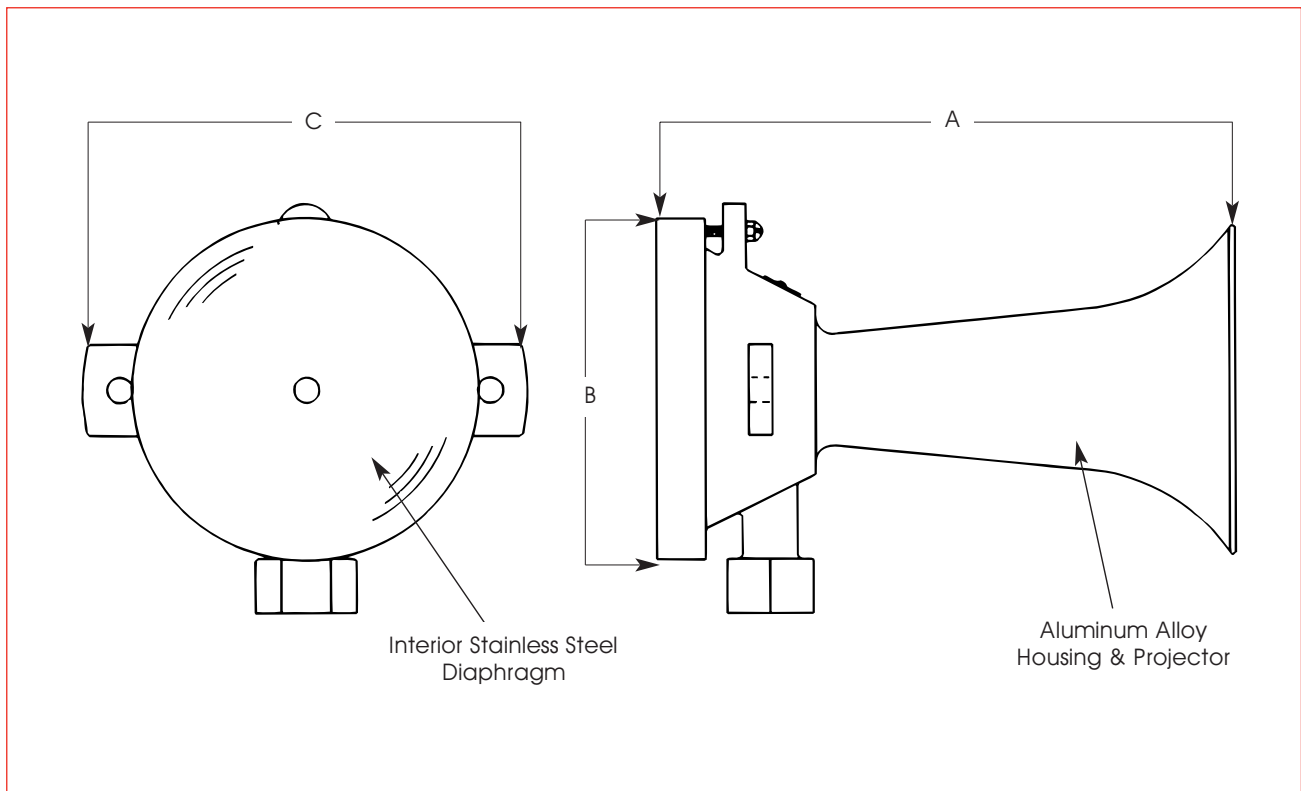
They are not subject to sparking and are ideal for hazardous locations (the valves need to be located in a non-hazardous location).

Model	Air Consumption Cubic Ft./Sec.	Valve Model*	Frequency	Decibels @	
				10'	1m
3H	0.20	EVS	750Hz	112	122
4H	0.25	EVM	450Hz	117	127
4M	0.25	EVM	340Hz	117	127
6H	0.45	EVL	295Hz	122	132

* 120VAC valves sold separately



AIR HORNS (3H/4H/4M/6H)



SPECIFICATIONS

Model	Net Weight	Shipping Weight	Dimensions (in./mm)			Diaphragm Dia. (in./mm)	Pipe Size
			A	B	C		
3H	1.6 lbs.	2.1 lbs.	4.88"	4.75"	3.63"	3.0"	0.38"
	0.73 kg	0.95 kg	124.0 mm	121 mm	92.0 mm	76.0 mm	9.5 mm
4H	2.3 lbs.	2.7 lbs.	7.88"	5.63"	5.0"	4.0"	0.5"
	1.04 kg	1.23 kg	200.0 mm	143.0 mm	127.0 mm	102.0 mm	12.7 mm
4M	2.6 lbs.	3.1 lbs.	11.25"	5.56"	5.0"	4.0"	0.5"
	1.18 kg	1.4 kg	286.0 mm	141.0 mm	127.0 mm	102.0 mm	12.7 mm
6H	9.7 lbs.	11.4 lbs.	12.38"	9.5"	6.5"	5.0"	0.75"
	4.4kg	5.17 kg	314.0 mm	241.0 mm	165.0 mm	152.0 mm	19.0 mm

REPLACEMENT PARTS

Description

3H Diaphragm
 4H Diaphragm
 4M Diaphragm
 6H Diaphragm

Part Number

K8271A020
 K8271A013
 K8271A072
 K8271A077

HOW TO ORDER

- Specify air horn model
- Specify valve model
- Please refer to Model Number Index 3H/4H/4M/6H beginning on page 378