



SelecTone® Universal Tone Module

Model UTM

A TONE FOR EVERY SIGNALING NEED

- 32 switchable tones
- Compatible with all SelecTone® equipment
- Plug-in installation
- RFI and EMI shielded
- UL and cUL Listed, CSA Certified and CSFM Approved

Federal Signal's Universal Tone Module (UTM) is a microcontroller-based tone generator capable of producing 32 different tones. The UTM is the key component of a SelecTone® System or a single SelecTone device. Tone selection is made by setting five DIP switches.

Housed in a plastic cover impregnated with stainless steel fibers, the circuitry is shielded from RFI (radio frequency interference) and EMI (electro-magnetic interference). The edge connector allows for quick and simple installation.

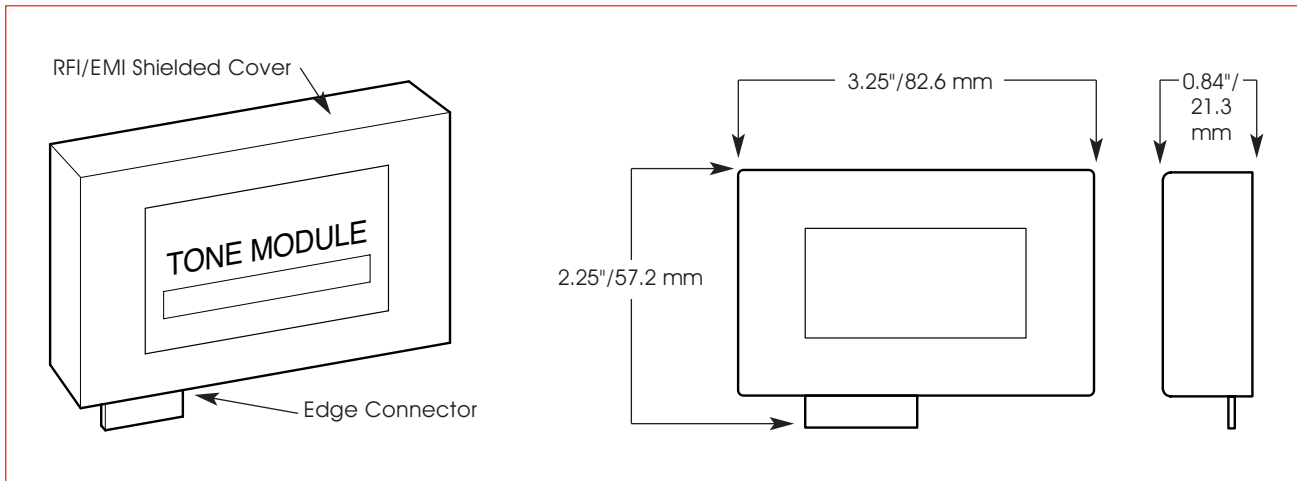
The UTM can be substituted for any of the 13 SelecTone Tone Modules (TM Series).

In addition to working with the entire SelecTone® line of speaker/amplifier products, the Model UTM is compatible with the EM3 Extension Module, 300VSC-1 Command Unit, 300VSC-1044SB Command Unit, 300SCW-1 Command Unit and 300SSC Supervised Command Unit.

Federal Signal's UTM provides crisp, clear digital signals easily distinguished from the ambient noise of commercial, institutional and industrial environments.



UNIVERSAL TONE MODULE (UTM)



DIP Switch	Tone	Sound	Frequency	Repetition Rate	
1	2	3	4	5	
↑ ↑ ↑ ↑ ↑	Wail	TM1	Conventional Siren	560-1055Hz	11 cycles/minute
↑ ↑ ↑ ↑ ↓	Yelp	TM2	Rapid Siren	560-1055Hz	3.3 cycles/second
↑ ↑ ↑ ↓ ↑	Hi-Low	TM3	Alternating Hi and Low	561Hz and 760Hz	50 cycles/minute
↑ ↑ ↑ ↓ ↓	Bell	TM4	Bell, Struck Rapidly	801Hz	50 cycles/minute
↑ ↑ ↓ ↑ ↑	Yeow	TM5	Descending High to Low, Repeated	545Hz and 1296Hz	36 cycles/minute
↑ ↑ ↓ ↑ ↓	Horn	TM6	Steady Horn	470Hz	Continuous
↑ ↑ ↓ ↓ ↑	Beep	TM7	Slow Intermittent Horn	470Hz	50 cycles/minute
↑ ↑ ↓ ↓ ↓	Stutter	TM8	Rapid Intermittent Horn	470Hz	5 cycles/minute
↑ ↓ ↑ ↑ ↑	Slow Whoop	TM9	Slow Ascending Low to High, Repeated	424Hz and 1163Hz	15 cycles/minute
↑ ↓ ↑ ↑ ↓	Gradual Horn	TM10	Steady Horn, Gradually Increasing in Volume	514Hz	Continuous
↑ ↓ ↑ ↓ ↑	Temporal Slow Whoop	TM11	NFPA Coded Slow Whoop	424Hz and 774Hz	15 cycles/minute
↑ ↓ ↑ ↓ ↓	Westminster Chime	TM12	Westminster Chime	Musical Tone	1 cycle/8 tones
↑ ↓ ↓ ↑ ↑	Evac	TM13	Amplitude Modulated Siren	479Hz	4.3 cycles/second
↑ ↓ ↓ ↑ ↓	Air Horn	TM14	Steady Horn	400Hz and 800Hz	Continuous
↑ ↓ ↓ ↓ ↑	Chime	TM15	Single Strike Chime	Musical Tone	49 cycles/minute
↑ ↓ ↓ ↓ ↓	Phaser	TM16	Rapid Siren	600-1200Hz	15 cycles/second
↓ ↑ ↑ ↑ ↑	Alternating Hi/Low	TM17	Alternating High-to-Low	363Hz and 518Hz	60 cycles/minute
↓ ↑ ↑ ↑ ↓	Warble	TM18	Extremely Rapid Siren	560-1055Hz	6.3 cycles/second
↓ ↑ ↑ ↓ ↑	Alert	TM19	Slow Sweep Tone	400-1560Hz	Ascending
↓ ↑ ↑ ↓ ↓	Euro-Police	TM20	Alternating Hi and Low	969Hz and 800Hz	30 cycles/minute
↓ ↑ ↓ ↑ ↑	Euro-Fire	TM21	Sweep Tone	900-800Hz	Continuous
↓ ↑ ↓ ↑ ↓	Euro-Slow Whoop	TM22	Slow Sweep Tone	650-1290Hz	17 cycles/minute
↓ ↑ ↓ ↓ ↑	Euro-General	TM23	Intermittent Horn	969Hz	60 cycles/minute
↓ ↑ ↓ ↓ ↓	Euro-Toxic	TM24	Steady Horn	969Hz	Continuous
↓ ↓ ↑ ↑ ↑	Euro-Police II	TM25	Slow Alternating Hi and Low	554Hz and 440Hz	Alternating Slow
↓ ↓ ↑ ↑ ↓	Euro-Stutter	TM26	Intermittent Beep	2840Hz	252 ms/cycles
↓ ↓ ↑ ↓ ↑	Euro-Sweep	TM27	Sweep Tone	1163 - 397Hz	Descending
↓ ↓ ↑ ↓ ↓	Ringer	TM28	Continuous Ringing Tone	560Hz and 326Hz	Fast Alternating
↓ ↓ ↓ ↑ ↑	Buzzer	TM29	Buzzer Tone	1318Hz and 760Hz	Continuously Alternating
↓ ↓ ↓ ↑ ↓	Attention	TM30	Extremely Rapid Siren	Multiple Frequency	1 cycle, 8 tones
↓ ↓ ↓ ↓ ↑	Multi-Tone	TM31	Extremely Rapid Siren	Multiple Frequency	1 cycle, 8 tones
↓ ↓ ↓ ↓ ↓	Caution	TM32	Extremely Rapid Siren	Multiple Frequency	1 cycle, 8 tones