

HyLoft 60" x 45" Limited Warranty

Diamond Storage Concepts warrants this product against defects in material or workmanship for the life of the product. Diamond Storage Concepts agrees to either repair the product or replace it at the sole discretion of Diamond Storage Concepts. This warranty does not include any costs associated with the physical installation, removal or return of the HyLoft storage system.

This warranty is valid and enforceable provided that the maximum weight supported by each 60" x45" HyLoft unit does not exceed 300 pounds, evenly distributed. The customer, dealer, and/or installer releases Diamond Storage Concepts of all claims, which includes the HyLoft unit and the structure it is attached to, if the loaded weight exceeds 300 pounds. The unit must also be installed according to the manufacturer's instructions. At no time should you install more than three HyLoft units on any two ceiling beams (rafters, studs, roof trusses, etc.). All fasteners must be checked and tightened at least annually.

Only the original purchaser of this product is extended this warranty. No warranty work will be provided under this warranty without purchaser's receipt or other proof of the date of original purchase acceptable to Diamond Storage Concepts. Proof of the date of purchase must be provided to Diamond Storage Concepts if the product is returned.

This Diamond Storage Concepts limited warranty covers product failure due to defects in materials or workmanship ONLY! It does not cover corrosion, rust or discoloration of its components, or product failure due to misuse, abuse, faulty installation, alteration, lack of reasonable care, or any other failure not related to defects in materials or workmanship.

There are NO other warranties expressed or implied except those stated here in as required by applicable law.

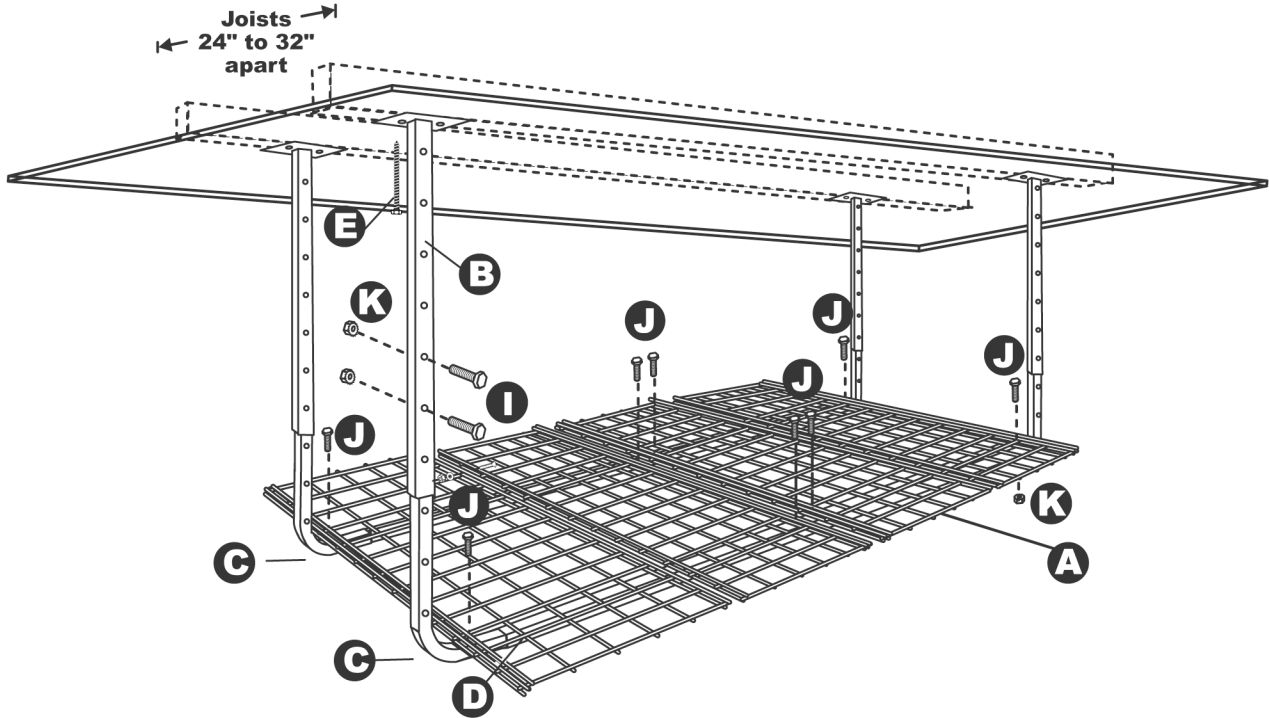
DIAMOND STORAGE CONCEPTS SHALL NOT BE LIABLE FOR INCIDENTAL, SPECIAL OR CONSEQUENTIAL DAMAGES RESULTING FROM THE USE OF THE PRODUCT OR ARISING OUT OF ANY BREACH OF THIS WARRANTY. ALL IMPLIED WARRANTIES, IF ANY, INCLUDING IMPLIED WARRANTIES OF MERCHANTABILITY AND FITNESS FOR A PARTICULAR PURPOSE, ARE LIMITED IN DURATION TO THE DURATION OF THIS WARRANTY. Some states do not allow the exclusion or limitation of incidental or consequential damages, or limitations on how long an implied warranty lasts, so the above exclusions or limitations may not apply to you. No other warranty, written or verbal, will be honored for this product. This warranty gives you specific legal rights and you may also have other rights that vary from state to state.

Diamond Storage Concepts is not responsible for damages of merchandise in transit. Repaired or replaced products shall be subject to the terms of this warranty, to be inspected by Diamond prior to return shipment. Damages incurred during transit should be reported at once to the carrier and a claim should be filed with them.

ASSEMBLY INSTRUCTIONS

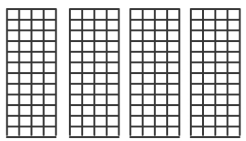
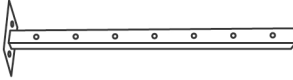
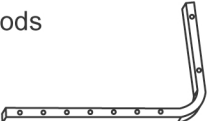





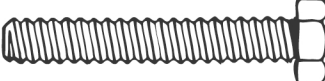
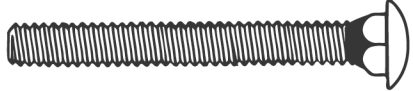

60" x 45" Ceiling Mounted Shelf

Item # 00175 or
#50175-10



Parts Included:

IMPORTANT-Read through entire instructions before beginning any installation.

A 4-Wire Grids 15" x 45" 	B 4-Downrods 	C 4-Corner rods 
D 2-Support Bars 	E 8-Lag Screws 1/4" X 3" 	F 4-Carriage Bolts 6-32 x 2" 
G 4-Hex Nuts 6-32 	H 4-Washers 6-32 	I 16-Hex Bolts 1/4" x 1 1/2" 
J 8-Carriage Bolts 1/4" x 2" 		
K 24-Hex Nuts Serrated 1/4" 		

Tools Required:



3/16"
Drill Bit
(4.8mm)



Power
Drill



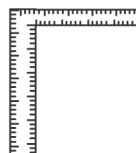
7/16" Wrench
(11 mm)



7/16"(11 mm)
Socket Wrench
or Nut Driver



Stud/Joist
Finder
(optional)



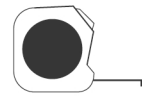
Framing
Square
(optional)



Pencil



Eye Protection



Tape Measure

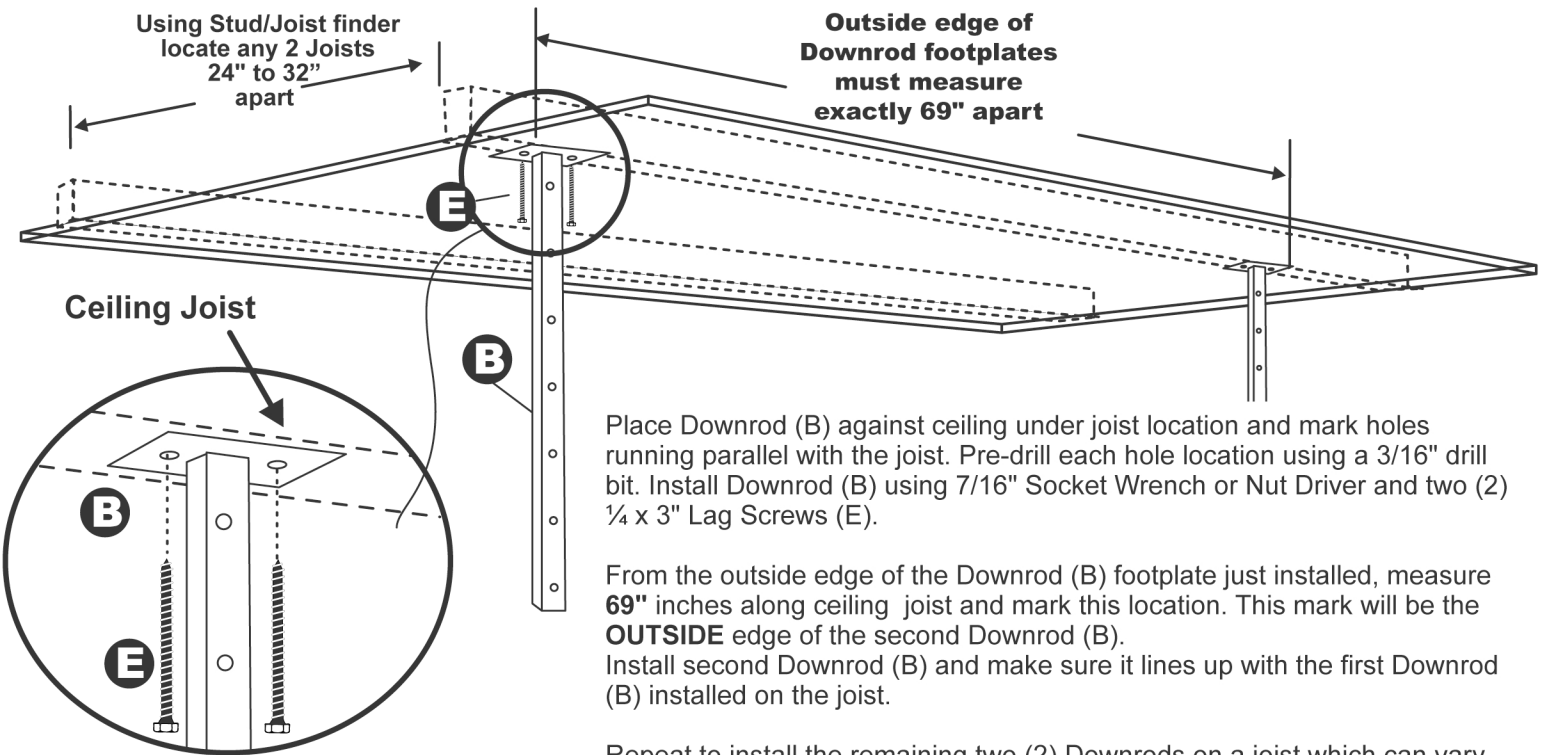


Ladder or
Step Stool

IMPORTANT-READ THROUGH ENTIRE INSTRUCTIONS BEFORE BEGINNING INSTALLATION

Locate the ceiling joists in the area of desired installation and determine the direction in which they are running. The ceiling mounting plates on Downrods(B) are installed parallel to the ceiling joists. Refer to the diagram below for additional installation clarification.

1 INSTALL DOWNRODS

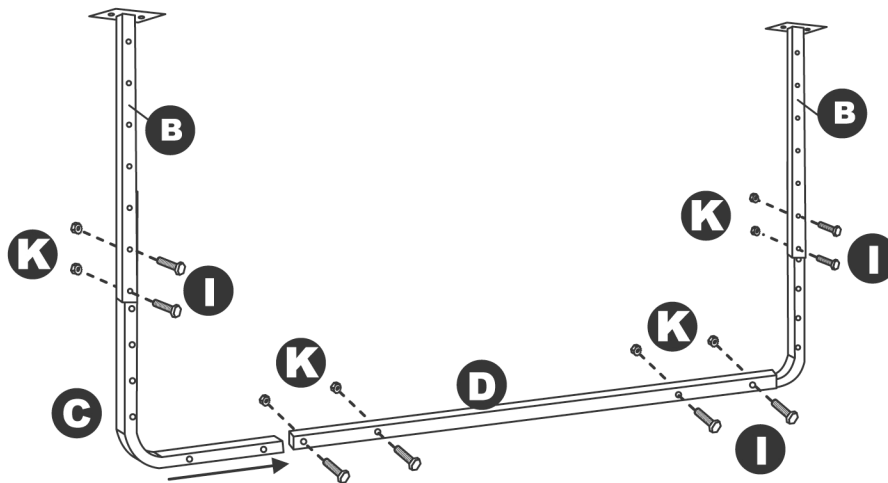


Repeat to install the remaining two (2) Downrods on a joist which can vary from 24" to 32" apart from the 1st joist.

IMPORTANT:

Downrods must be mounted perfectly in line and square to each other.

2 INSTALL CORNER RODS & SUPPORT BARS



Attach two (2) Corner Rods (C) to each of the Support Bars (D) using four (4) 1/4" x 1 1/2" Hex Bolts (I) and four (4) 1/4" serrated nuts (K).

Determine the length down from the ceiling you want the unit to hang. (from 32" to 40")

Attach the Corner Rod (B) and Support Arm (C) assembly to each Downrod (B) at the predetermined length using two (2) 1/4" x 1 1/2" Hex Bolts (I) and two (2) 1/4" serrated hex nuts(I) for each. Repeat Step 2 for the other set of Downrods (B).

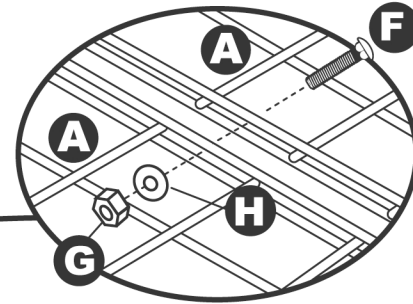
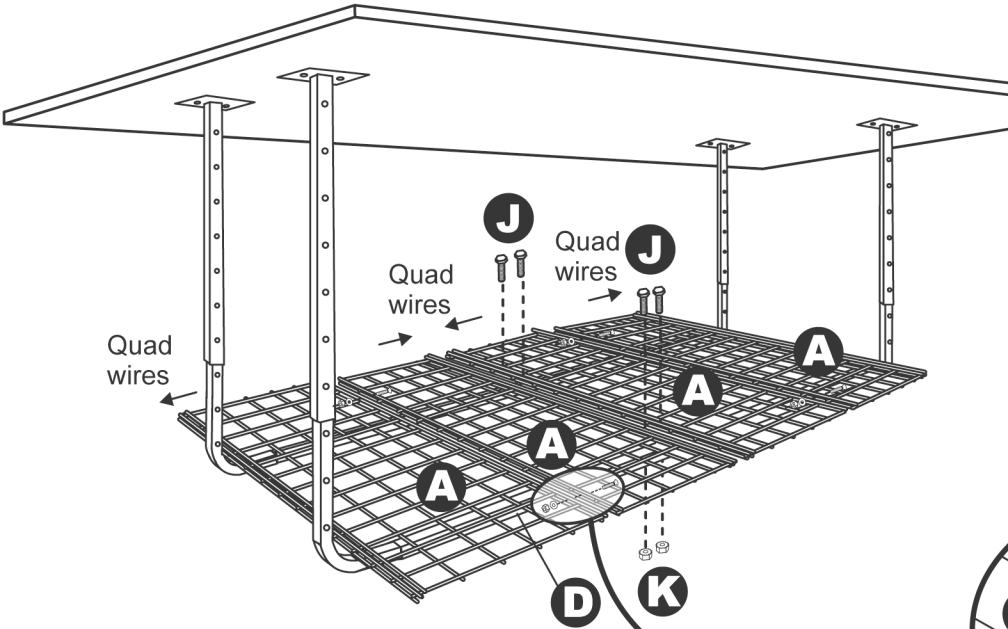
3

INSTALL GRIDS

Place Grids(A) across the two hanging Support Arm (D) assemblies making sure the long wires of the Grids (A) are facing down and overhang is even on both sides. Quad wires go to the inside on the center Grids(A) and to the outside on the outer Grids(A).

Fasten 2 center Grids(A) to Support Bars (D) through the quad wire section of the Grids (A) using (4) $\frac{1}{4}$ x 2" Carriage Bolts (J) and $\frac{1}{4}$ " serrated nuts (K) as shown. **DO NOT TIGHTEN AT THIS TIME.**

Attach two sets of outer Grids (A) together using two 6-32 x 2" Carriage Bolts (F), 6-32 washers (H), and 6-32 nuts (G) on both sides. Tighten center Grids (A) to Support Bars(D).



Make sure that all nuts, bolts and screws are tight. Do not load with more than 300 lbs, evenly distributed.