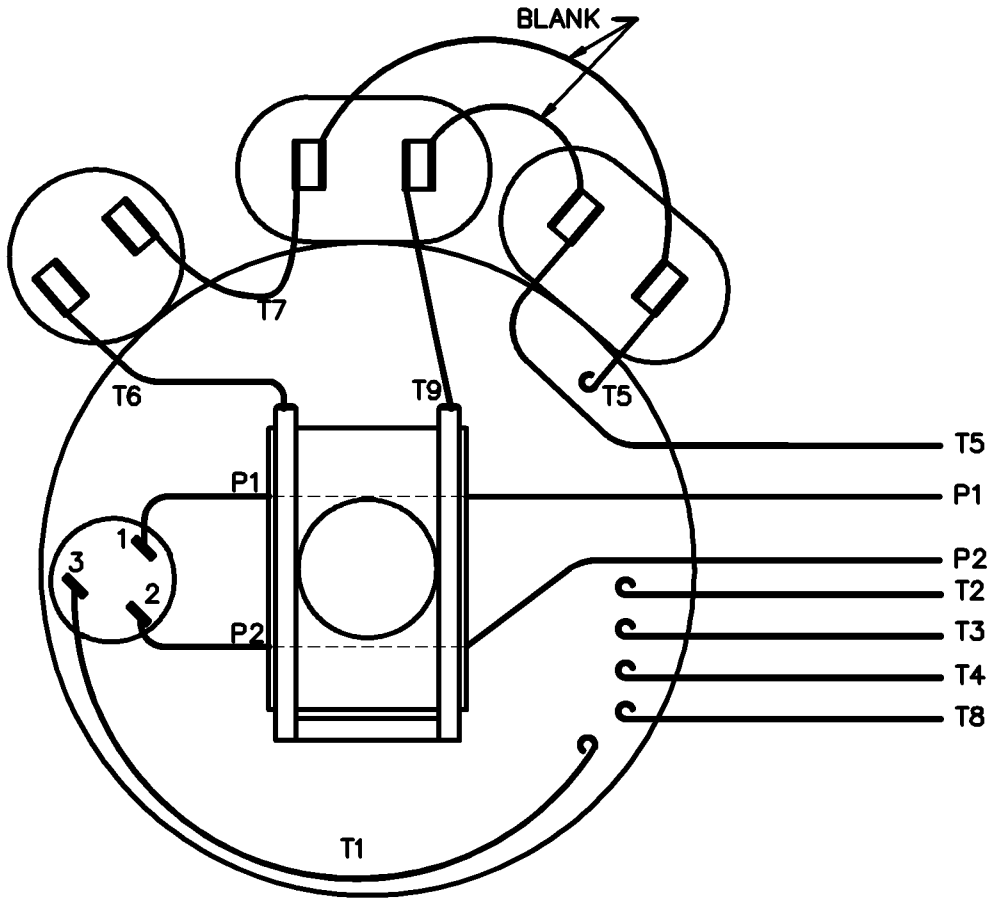
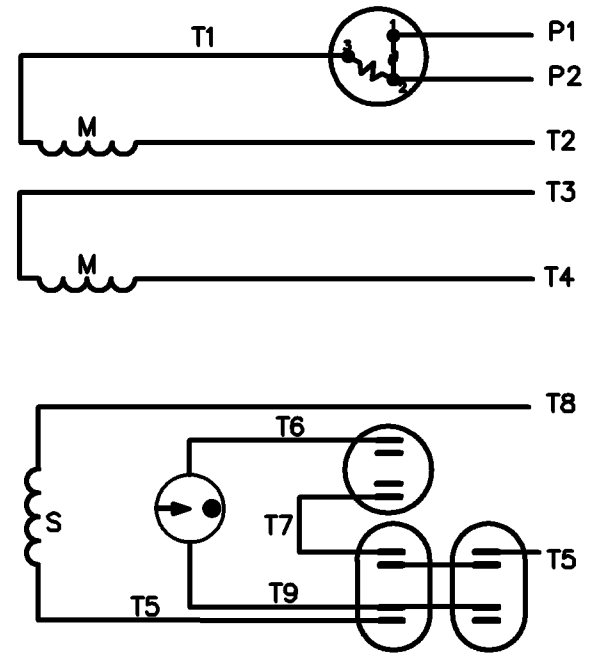


VIEW FROM OUTSIDE OF MOTOR AT SWITCH END.



LINE LEADS



	ROTATION FACING LEAD END	L1	L2	JOIN	INSULATE SEPARATELY
HIGH VOLT	C.C.W.	P1	T4 T5	T2,T3 T8	P2
	C.W.	P1	T4 T8	T2,T3 T5	P2
LOW VOLT	C.C.W.	P1	T2,T4 T5	P2,T3 T8	----
	C.W.	P1	T2,T4 T8	P2,T3 T5	----

TOLERANCES UNLESS OTHERWISE SPECIFIED

DECIMALS

.00 ± .01

.000 ± .005

.0000 ± .0005

FRACTIONS ± 1/64

ANGLES ± 1/2'

INCH/MM

LEESON ELECTRIC CORPORATION

DRAWN TEM
CH'K'D.
APPR. 04/20/88
SCALE 1=1
REF. PG.11
FIMF W-K63466-4

TITLE EXT. WIRING DIAGRAMS
TYPE "K" W/PROTECTOR
MATL. DECAL - 004011
FINISH QUINTON
SIZE A
DRAWING NO. 005053-11

BRF

NO.	REVISION	BY	DATE
02	REMOVED P2 FROM WDG	DWF RDW	09/24/99
01	REDRAWN ON CAD, PROT. WAS IN SIDE BOX	DBT	08/13/97

THIS DRAWING IN DESIGN AND DETAIL IS OUR PROPERTY AND MUST NOT BE USED EXCEPT IN CONNECTION WITH OUR WORK ALL RIGHTS OF DESIGN AND INVENTION ARE RESERVED