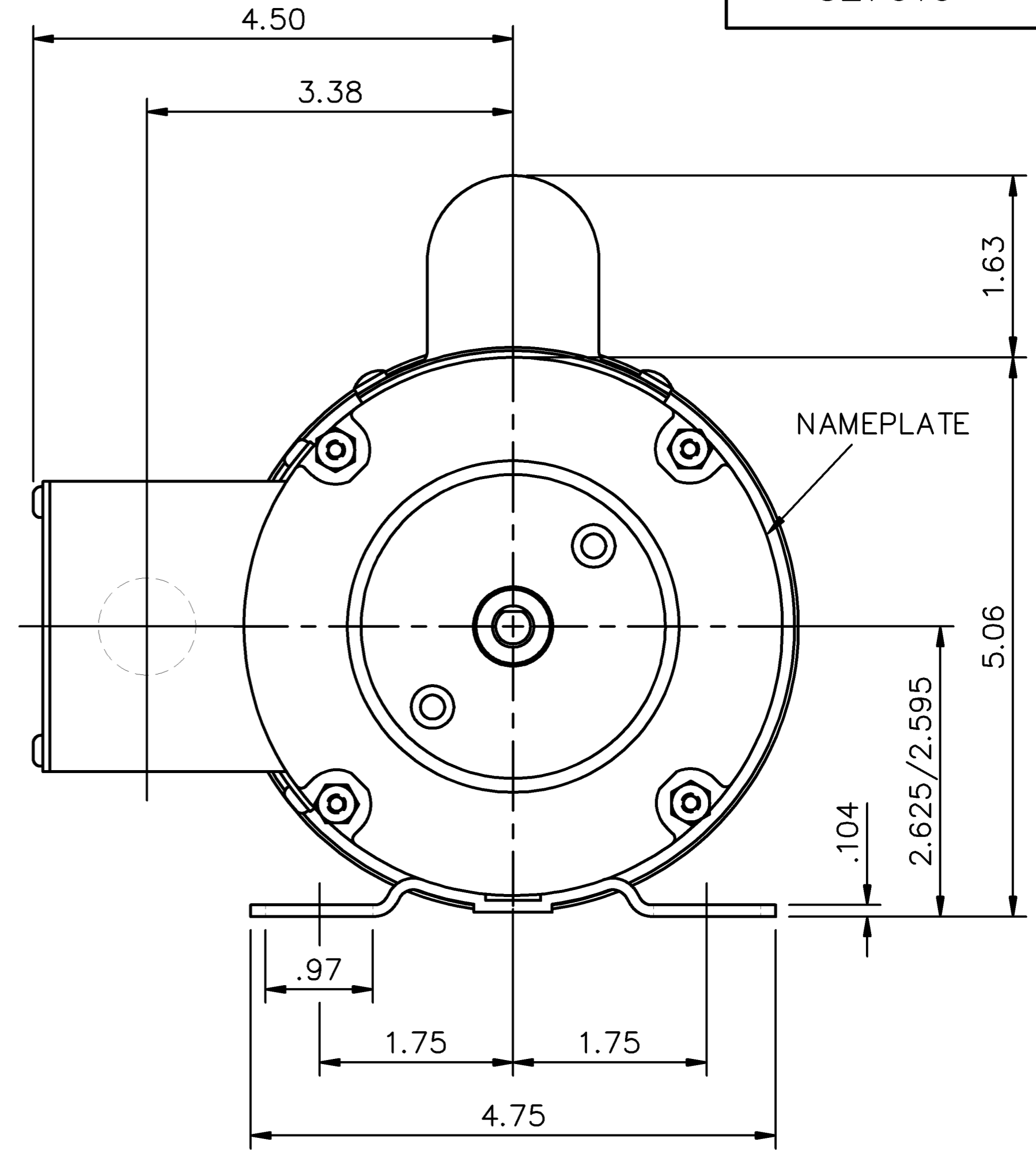
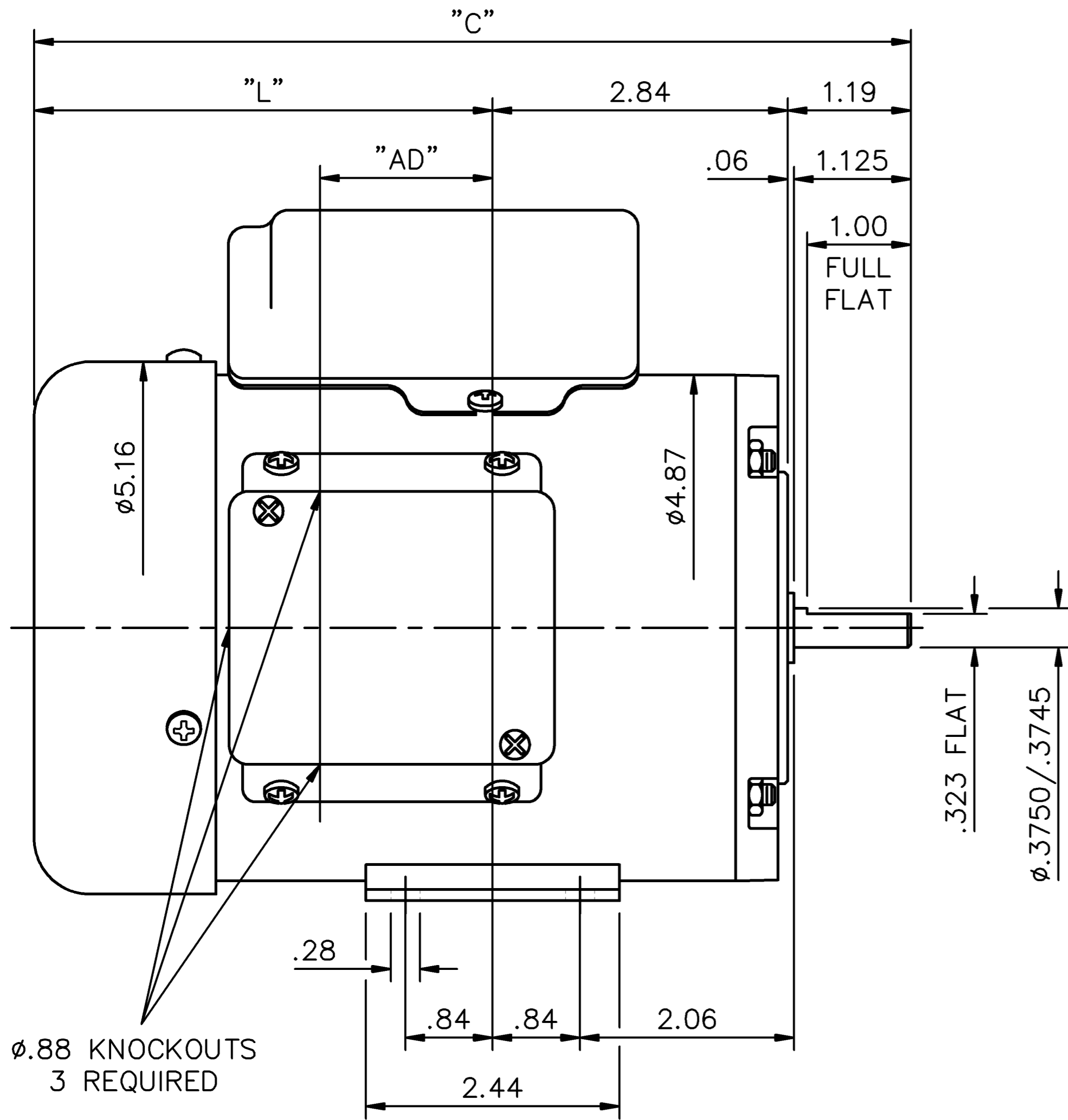


027616



Ø.88 KNOCKOUTS
3 REQUIRED

NAMEPLATE

FRAME	"C"	"L"	"AD"	FRAME	"C"	"L"	"AD"
G42	7.94	3.91	1.16	R42	9.94	5.91	3.16
J42	8.44	4.41	1.66	U42	10.44	6.41	3.66
L42	8.94	4.91	2.16	V42	10.94	6.91	4.16
N42	9.44	5.41	2.66	W42	11.44	7.41	4.66

GASKETS THROUGHOUT

TOLERANCES UNLESS
OTHERWISE SPECIFIED

LEESON ELECTRIC CORPORATION

DECIMALS

.00 ± .01

.000 ± .005

.0000 ± .0005

FRACTIONS ± 1/64

ANGLES ± 1/2°

INCH/MM

DRAWN PG 3/2/95

CH'K'D.

APPR.

SCALE HALF

REF. 027516

FMF 092111

TITLE

OUTLINE - 42 FRAME
TEFC - RIGID MOUNT

MAT'L.

FINISH

STANDARD

SIZE

A

DRAWING NO.

027616

NO.	REVISION	BY	DATE

THIS DRAWING IN DESIGN AND DETAIL IS OUR PROPERTY
AND MUST NOT BE USED EXCEPT IN CONNECTION WITH OUR WORK
ALL RIGHTS OF DESIGN AND INVENTION ARE RESERVED