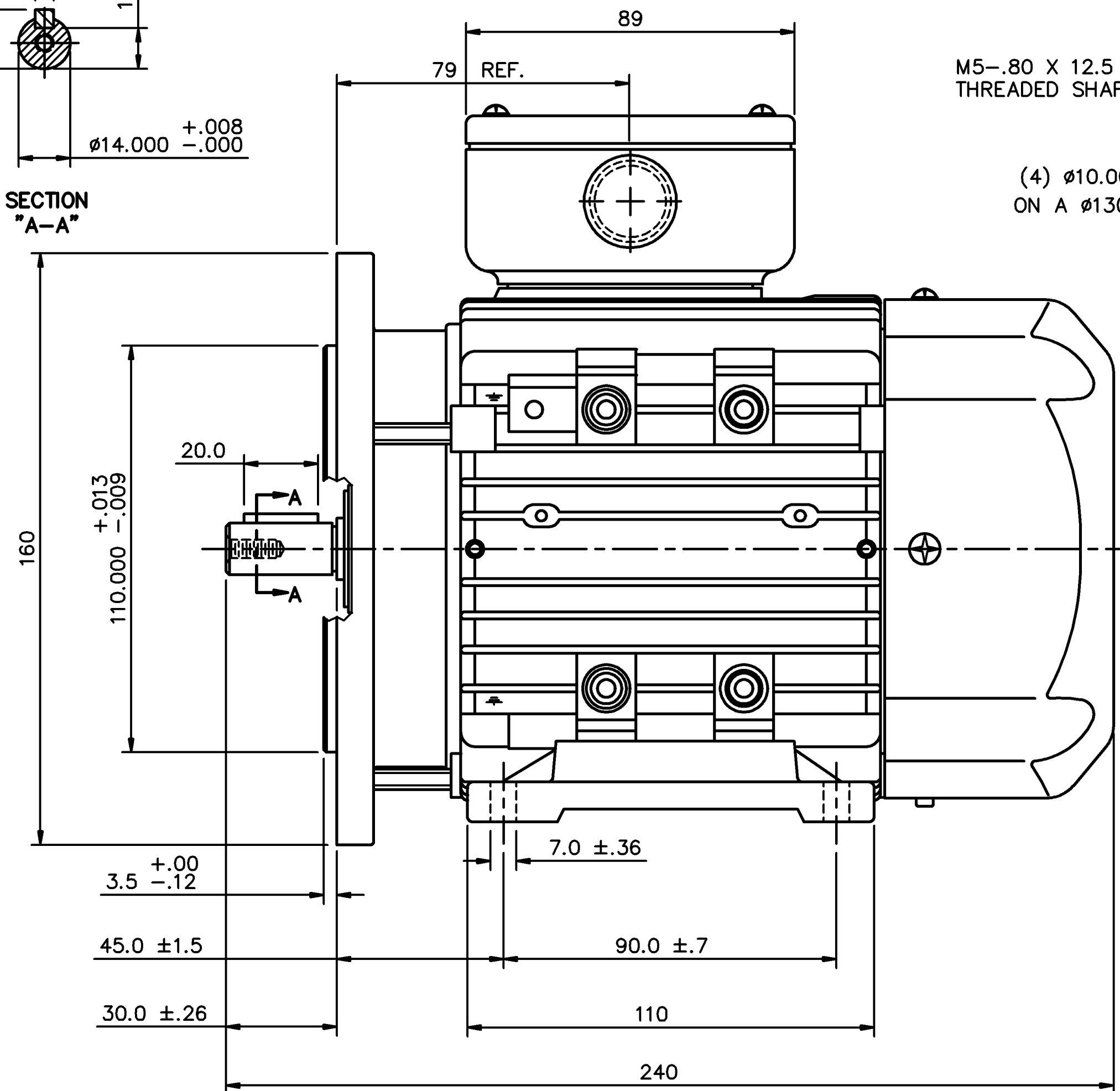
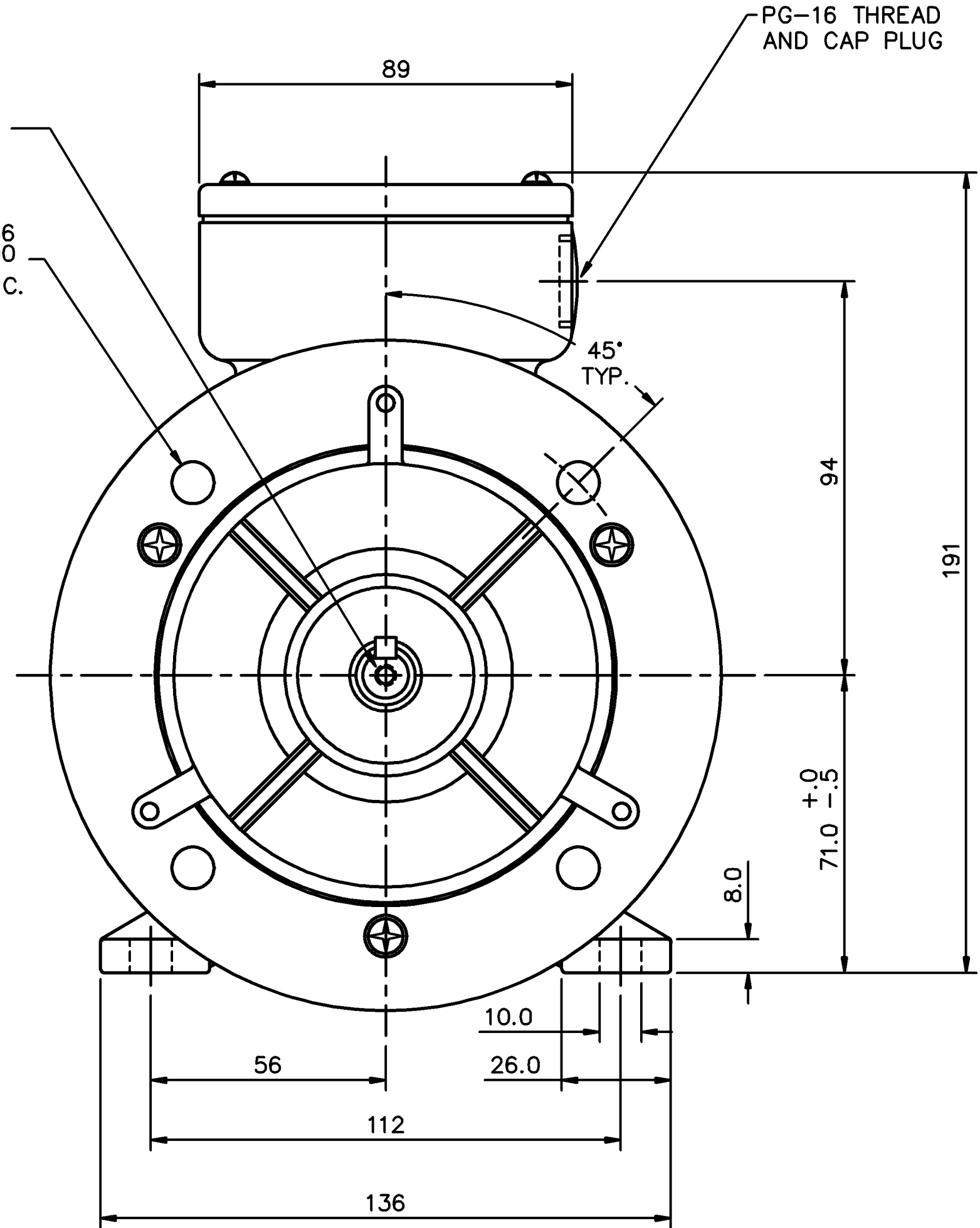


SECTION "A-A"



M5-.80 X 12.5 DEEP
THREADED SHAFT TIP

(4) $\phi 10.00 \pm 0.36$
ON A $\phi 130.0$ B.C.



PG-16 THREAD
AND CAP PLUG

45°
TYP.

		TOLERANCES UNLESS SPECIFIED		LEESON ELECTRIC MOTORS GEARMOTORS AND DRIVES	DRAWN
		DEC.	METRIC		CHK
		.X	±		ADS 01/31/02
		.XX	±		APPD
		.XXX	±	TITLE	SCALE 1=1.5
		.XXXX	±	MATL.	REF OSVC-300-569
		ANG	±	FINISH	FMF LEESON STOCK
NO.	REVISION	BY & DATE	CHK	CAD FILE	PREV
THIS DRAWING IN DESIGN AND DETAIL IS OUR PROPERTY AND MUST NOT BE USED EXCEPT IN CONNECTION WITH OUR WORK ALL RIGHTS OF DESIGN AND INVENTION ARE RESERVED THIS IS AN ELECTRONICALLY GENERATED DOCUMENT - DO NOT SCALE THIS PRINT				RFP	DRAWING NO.
				DIST	169868-00
				SIZE	B
					REV.

LEESON ELECTRIC MOTORS
GEARMOTORS
AND DRIVES

TITLE METRIC MOTOR OUTLINE, IMB35
IEC-71 FRAME RIGID MOUNT W/B5 FLANGE

MATL. ALUMINUM

CAD FILE 16986800

DRAWING NO.
169868-00

REV.