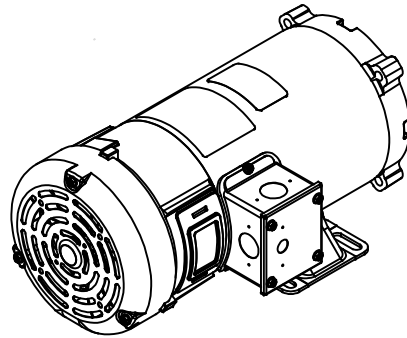
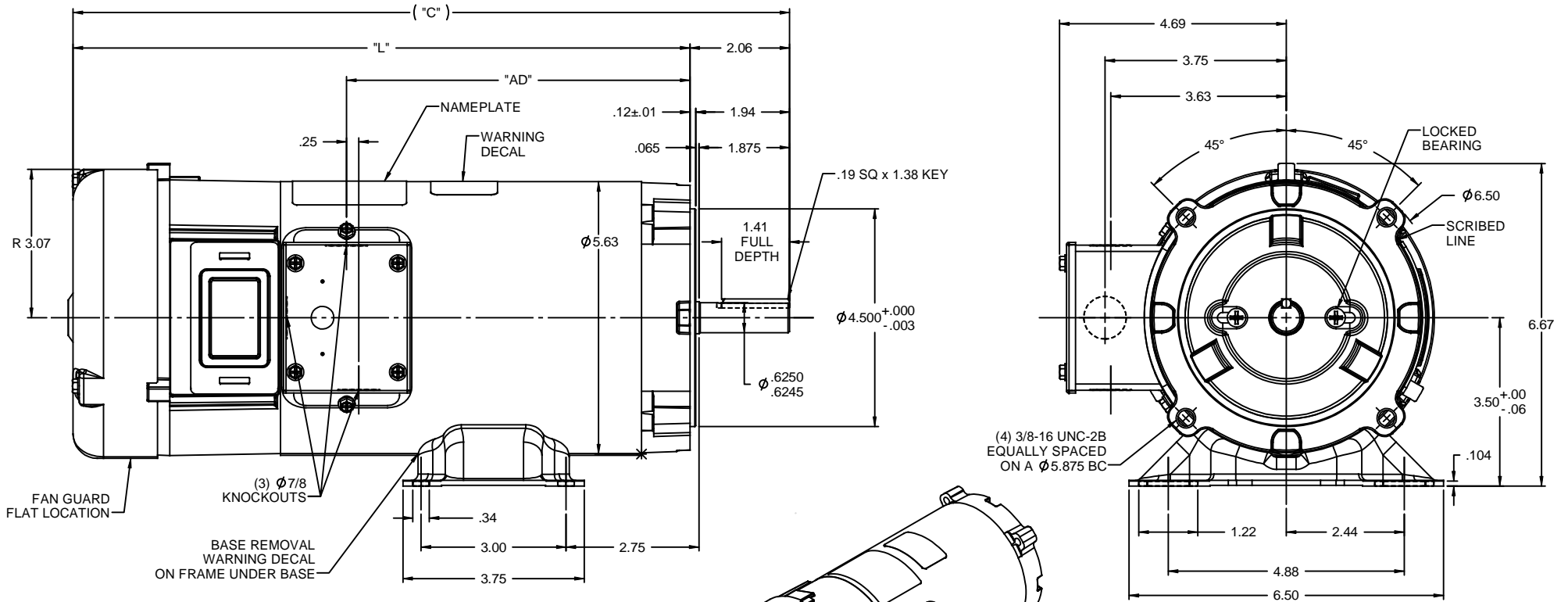



RBC PROPRIETARY AND CONFIDENTIAL INFORMATION  
 This document is the property of REGAL BELOIT CORPORATION ("RBC") including its subsidiaries and divisions and contains proprietary information of RBC. This document is loaned on the express condition that neither it nor the information contained therein shall be disclosed to others without the express written consent of RBC, and that the information shall be used by the recipient only as approved expressly by RBC. This document shall be returned to RBC upon its request. This document may be subject to certain restrictions under U.S. export control laws and regulations.



NOTES:  
 1) MAXIMUM FACE RUNOUT .004 T.I.R.  
 2) MAXIMUM PILOT ECCENTRICITY .004 T.I.R.  
 3) PERMISSIBLE SHAFT RUNOUT .002 T.I.R.  
 4) GASKETS THROUGHOUT

109100.00	15.82	13.76	8.10	90	3/4	1140
109099.00	14.32	12.26	6.60	90	1/2	1140
109098.00	12.82	10.76	5.10	90	1/3	1140
108265.00	15.32	13.26	7.60	180	1 1/2	2500
108092.00	16.82	14.76	9.10	180	1 1/2	1750
108023.00	14.82	12.76	7.10	180	1	1750
108022.00	14.82	12.76	7.10	90	1	1750
108021.00	13.82	11.76	6.10	180	1	2500
108020.00	13.32	11.26	5.60	90	1	2500
108019.00	13.82	11.76	6.10	180	3/4	1750
108018.00	13.82	11.76	6.10	90	3/4	1750
108017.00	12.82	10.76	5.10	180	3/4	2500
108016.00	12.82	10.76	5.10	90	3/4	2500
108015.00	12.82	10.76	5.10	180	1/2	1750
108014.00	12.82	10.76	5.10	90	1/2	1750
<b>CATALOG No.</b>	<b>"C"</b>	<b>"L"</b>	<b>"AD"</b>	<b>VOLTS</b>	<b>H.P.</b>	<b>RPM</b>

05	ADDED NOTE ABOUT FAN GUARD FLAT LOCATION. ISAAC	IPG	12/4/2009		TOLERANCES UNLESS SPECIFIED	 <b>ELECTRIC MOTORS GEARMOTORS AND DRIVES</b>	DRAWN	RWS	1/8/08
	09-4813			DEC	INCHES		CHK	IPG	1/9/08
04	CAT. # 108092.00: "C" WAS 17.32, "L" WAS 15.26, "AD" WAS 9.60. ISAAC 09-1828	IPG	5/14/2009	SK	x ±.1	TITLE	OUTLINE	SCALE	1:2
03	ADDED DATA FOR VARIOUS CAT. NUMBERS. COMPLETED	IPG	9/15/2008	BC	xxx ±.005		48 FRAME DC - S56C MOUNT	REF	031189.00
	TABLE				xxx ±.0005	MATL		FMF	108022.75
NO	REVISION	BY & DATE	CHK	ANG	±1/2°	FINISH		PAGE	OF
	THIRD ANGLE PROJECTION		RFP	PREV		SIZE	DRAWING NO		REV
					NETWORK FILE NAME	<b>B</b>	<b>031879</b>		<b>05</b>