

## FEATURES & SPECIFICATIONS

### INTENDED USE

Ideal for a wide variety of low- to medium-height ceiling applications including commercial, retail and hospitality spaces where a wet location lensed fixture is required. Ideal for shower and outdoor applications.

### CONSTRUCTION

Heavy gauge die formed galvanized steel mounting frame. Attached to frame are vertically adjustable mounting brackets for use with C channels, 1/2" steel conduit or 16 gauge flat bar hangers included, standard. Frames equipped with galvanized junction box UL Listed for through wire applications. Junction boxes equipped with (2) 3/4" and (4) 1/2" conduit knockouts with pryout slots and removable access doors.

Maximum 1-1/2" ceiling thickness.

### OPTICS

Aluminum clear semi-specular upper reflectors are optically designed to maximize lumen output and to provide superior glare control.

Glass lenses are available in clear flat, tempered prismatic or fresnel glass lens to provide optimal visual comfort and improved aesthetics.

### ELECTRICAL

Electronic ballast with end of lamp life protection standard. Class P thermally protected ballast protects against improper contact with insulation. Minimum starting temperature is 0°F/-18°C.

Rated for #12 AWG conductor thru-branch wiring. Minimum 90° supply wire. Ground wire provided.

### Lamp Socket Base:

TRT 4-pin lamps – 18W (GX24Q-2); 26W (GX24Q-3); 32W (GX24Q-3); 42W (GX24Q-4)

DTT 4-pin lamps - 18W (G24Q-2); 26W (G24Q-3)

### LISTING

Fixtures are UL Listed for thru-branch wiring, Non-IC recessed mounting, wet location, and to U.S. and Canadian Safety Standards.

Catalog Number
Notes
Type

### Compact Fluorescent Downlighting

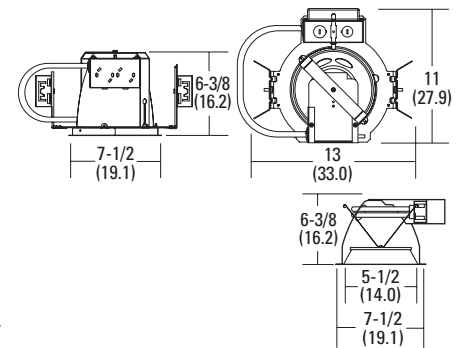


# 6" LF6N

**WET LENS**  
Horizontal 1-Lamp, Triple Tube (TRT)

### Specifications

Max. height: 6-3/8 (16.2)  
Ceiling opening: 7 (17.8)  
Overlap trim: 7-1/2 (19.1)  
Length: 13 (33.0)  
Width: 11 (27.9)



All dimensions are inches (centimeters).

### ORDERING INFORMATION

Lead times will vary depending on options. Consult with your sales representative.

**Example:** LF6N 1/26-42TRT F6LS1 MVOLT ADEZ

LF6N					
Series	Wattage/lamp	Reflector/color <sup>2</sup>	Voltage	Options <sup>8</sup>	
LF6N	1/18DTT	F6LS1 White splay, clear lens	MVOLT <sup>2</sup>	ADEZ Advance Mark 10™ electronic dimming ballast, 120V or 277V. Must be voltage specific. Minimum dimming level 5%	
	1/18TRT	F6LSB1 Black baffle, clear lens		120	
	1/26DTT	F6LS4 White splay, fresnel lens		277	
	1/26-42TRT <sup>1</sup>	F6LSB4 Black baffle, fresnel lens		347 <sup>4</sup>	ECOS Lutron EcoSystem electronic dimming ballast, 120-277V. Must be wattage specific. Minimum dimming level 5%.
	1/26TRT	F6LS73 White splay, tempered prismatic			EL Emergency PSDL3 DL battery pack with integral test switch. Lens removal required before EL testing <sup>5</sup>
	1/32TRT	F6LSB73 Black baffle, tempered prismatic			ELR Emergency PSDL3 DL battery pack with remote test switch <sup>5</sup>
	1/42TRT				ELHL Iota I-420-R High lumen output emergency battery pack. Internal test switch provided. Maximum average lumen output is 1300 (42W) <sup>6</sup>
			ELRHL Iota I-420-EM-B High lumen output emergency battery pack. Remote test switch provided. Maximum average lumen output is 1300 (42W) <sup>6</sup>		
			GMF QSingle slow-blow fuse, must specify voltage		
			BDP Ballast disconnect plug (meets codes that require in-fixture disconnect) <sup>3</sup>		
			RIF1 Radio interference filter		
			LBH Less barhangers		
			NSD Sensor Switch nLight™ dimming relay <sup>7</sup>		
			WLP 35K lamp (shipped separately)		

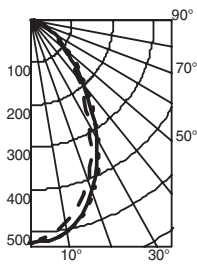
Accessories: Order as separate catalog number.	
SCA6	Sloped ceiling adaptor. Degree of slope must be specified (10D, 15D, 20D, 25D, 30D) Ex: SCA6 10D.
CTE6	Ceiling thickness extender is used when ceiling thickness is greater than 1-1/2 (3.8). Maximum thickness 2" (5.1 cm).

### Notes

- Not available with ECOS or WLP.
- White painted flange standard.
- Electronic multi-volt ballast capable of operating any line voltage from 120-277V, 50 or 60Hz.
- Not available with EL or ELR.
- Add 3" (7.6) to width and 4-1/2" (11.4) to length.
- Not recommended for field installation.
- One 5A relay with one 0-10V DC dimming output, shipped installed. Requires additional nLight bus power supply.
- For additional options see [www.lithonia.com](http://www.lithonia.com)

# LF6N 6" Wetlens Compact Fluorescent Downlighting

**LF6N 1/32TRT F6LS73 MVOLT**, (1) 32W TRT lamp, 1.2 s/mh, 3600 rated lumens, Test no. LTL12562



cp	Lumens
0	523
5	519 49
15	471 132
25	373 170
35	252 158
45	155 120
55	86 78
65	48 47
75	22 23
85	3 3
90	0

Zone	Lumens	% Lamp
0° - 30°	350.9	14.6
0° - 40°	508.7	21.2
0° - 60°	706.1	29.4
0° - 90°	779.8	32.5
90° - 180°	0.0	0.0
0° - 180°	779.8	*32.5

\*Total Efficiency

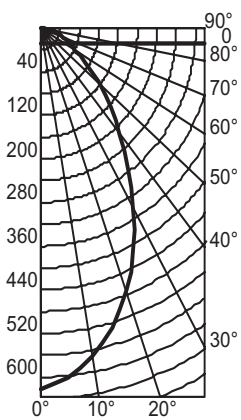
pf	pc	20%					
		80%		70%		50%	
pw	50%	30%	50%	30%	50%	30%	
0	39	39	38	38	36	36	
1	35	34	34	33	33	32	
2	31	30	31	29	30	28	
3	28	26	28	26	27	25	
4	26	23	25	23	25	23	
5	24	21	23	21	23	21	
6	22	19	21	19	21	19	
7	20	17	20	17	19	17	
8	18	16	18	16	18	16	
9	17	15	17	15	17	15	
10	16	14	16	14	16	14	

Task Height: 2.5ft.

50% beam - 52.1° 10% beam - 90.8°

Mounting Height	Initial FC					
	Center		Beam		Diameter	
Height	Beam	Diameter	FC	Diameter	FC	
8.0	17.3	5.4	8.6	11.2	1.7	
10.0	9.3	7.3	4.7	15.2	0.9	
12.0	5.8	9.3	2.9	19.3	0.6	
14.0	4.0	11.2	2.0	23.3	0.4	
16.0	2.9	13.2	1.4	27.4	0.3	

**LF6N 1/42TRT F6LS73 MVOLT**, (1) 42W TRT lamp, .98 s/mh, 3200 rated lumens, Test no. LTL12563



Intensity Distribution

Vertical Angle	Horizontal Angle	Zonal Lumen Summary		
		Zone	Lumens	% Lamp
0	0	0° - 30°	447.3	14.0
5	644	0° - 40°	650.7	20.3
15	568	0° - 60°	905.1	28.3
25	452	0° - 90°	1000.0	31.2
35	313	90° - 180°	0.0	0.0
45	204	0° - 180°	1000.0	*31.2
55	111	*Total Efficiency		
65	65			
75	32			
85	4			
90	0			

Coefficients of Utilization

p	20%					
	80%		70%		50%	
pc	50%	30%	50%	30%	50%	30%
0	37	37	36	36	35	35
1	34	33	33	32	32	31
2	30	29	30	28	29	27
3	27	25	27	25	26	24
4	25	22	24	22	24	22
5	23	20	22	20	22	20
6	21	18	20	18	20	18
7	19	17	19	17	18	16
8	18	15	18	15	17	15
9	16	14	16	14	16	14
10	15	13	15	13	15	13

**Energy** (Calculated in accordance with NEMA standard LE-5.)

Fixture/Reflector	LER	Annual* Energy Cost	Lamps	Lamp Lumens	Ballast Factor	Input Watts
LF6N 1/32TRT/F6LS73	23.02	\$7.05	(1) 32W TRT	2400	.98	32.6

\*Comparative yearly lighting energy cost per 1000 lumens