



FEATURES & SPECIFICATIONS

INTENDED USE

Recessed housing rated IC or Non-IC. For new construction only.
 Approved for all ceiling and wiring types.
 Approved for direct burial in insulation.

CONSTRUCTION

Air-Tight standard. Tested to meet current energy codes.
 Aluminum housing with galvanized steel pan.
 Galvanized bar hangers span up to 24" o.c. and feature built in nailer and integral T-bar clips. Two locking screws hold fixture in position.
 Galvanized steel junction box with four built-in Romex clamps; five 1/2" and two 3/4" nominal knockouts with slots for pryout. Rated for through branch wiring.
 Maximum 4 (2 in, 2 out) No 12 AWG conductors. Rated for 90° C.
 Ground wire provided.
 Removable J-box doors for easy access.
 Trim retention (clips): Retaining clips riveted to top of reflector hold trim inside housing.
 Trim retention (TOR): Two-side mounted torsion springs on the trim and 2 receiving brackets in the can ensure a consistently tight fit with the ceiling.

ELECTRICAL SYSTEM

Durable medium base porcelain socket with nickel plated copper alloy screw shell and contact.
 Socket clips to top of housing to prevent paint overspray in socket screw shell.
 Socket attaches to reflector to ensure proper and consistent lamp position.
 Thermal protection provided against improper lamp usage.
 120 volts only.

INSTALLATION

Air-Tight housing suitable for air-tight installations.
 2 x 8 wood joist or T-bar installation.
 Expandable bar hangers allow for off center mounting in wood joist or T-bar ceilings.
 Length of 25 1/4" maximum 13 1/4" minimum or cut to fit 9" on center joist construction.
 Vertical adjustment of housing allows for flush mounting with ceiling face.
 Suitable to ceilings up to 1-1/2" thick.

LISTING

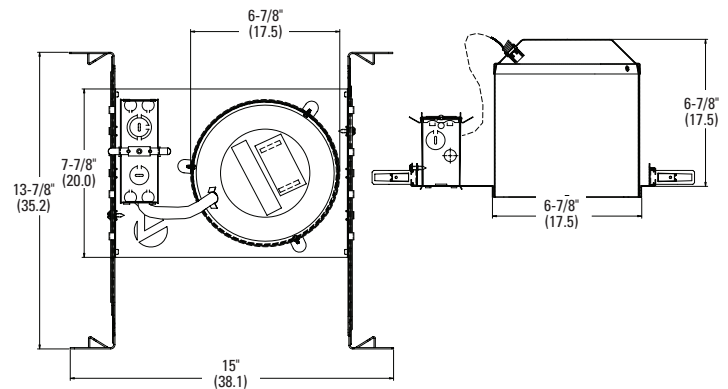
U.L. Listed to U.S. and Canadian safety standards.
 Damp location listing. (See trim selection for wet location listing).

| | |
|----------------|------|
| Catalog Number | |
| Notes | Type |

6" Housing

L7X

INCANDESCENT
 IC/Non-IC
 New Construction



Specifications

Height: 6-7/8 (17.48)
 Length: 15 (38.1)
 Width: 13-7/8 (35.24)
 Ceiling cutout: 7 (17.8)

All dimensions are inches (centimeters).

ORDERING INFORMATION

Lead times may vary based on options selected. Consult your sales representative.

Example: **L7X R6**

| Series | Options | Packaging |
|--------|--|---|
| L7X | Shipped installed in fixture PHC Poke-home wire connectors GSKT Foam gasketing, aids in air-tight installation | R6 Resale pack of six U Unit (non-stock) |

Accessories:

Order as separate catalog number.
 ATK6 R6 6" Air-tight trim kit
 HS6875 6-7/8" Hole saw

NOTE:
 See trim summary on reverse side for maximum wattages.

L7X: 6" Incandescent New Construction Housing

| Description Catalog number | Maximum wattage | Description Catalog number | Maximum wattage | Description Catalog number | Maximum wattage |
|---|-----------------------|--|-----------------------------------|---|---------------------------------------|
| General/Task | | | | | |
| Open Narrow Flange 702A Clear diffuse 702AZ Clear specular 702BLZ Black specular | 65 BR30 75 PAR30 | Regressed Eyeball Wide Flange 7RE1 White | 65 BR30 50 PAR30 | Open Narrow flange (Wet location) *For plastic flange add suffix PFMW (matte white) or PFBL (black) | |
| IC/Non-IC | | IC/Non-IC | | REAL6 D6MW Matte white | |
| Open Narrow Flange 702 TOR White | 65 BR30 75 PAR30 | Wallwash Narrow Flange 7W1 White | 60 A19 | REAL6 D6A Clear diffuse | |
| IC/Non-IC | | Non-IC | | REAL6 D6AZ Clear specular | |
| Open Wide Flange 703 TOR White | 65 BR30 75 PAR30 | Pinhole Narrow Flange 6S1 White | 60 A19 65 BR30 50 R20/PAR20 | REAL6 D6BN Brushed nickel | |
| IC/Non-IC | | Non-IC | | REAL6 D6BLZ Black specular | |
| Open Narrow Flange 705 White 705 PF White plastic flange 705AZ Clear specular | 120 BR40 120 PAR38 | Lens/Wet Location | | | |
| Non-IC | | WETlite™ 6H20 TOR White 6H20ORB TOR Oil-rubbed bronze 6H20BZA TOR Antique bronze 6H20BN TOR Brushed nickel | IC/Non IC | 75 PAR38 | REAL6 D6MW ESL Matte white |
| Baffle Narrow Flange 7B2 TOR Black 7B2W TOR White 7B2BN TOR Brushed nickel 7B2ORB TOR Oil-rubbed bronze 7B2BZA TOR Antique bronze | 65 BR30 75 PAR30 | Shower/Closet Lens Narrow Flange 7LD1 Drop opal metal flange 7LD1 PF Drop opal plastic* 7LD2 PF Drop prismatic plastic* | IC | 40 A19 | REAL6 D6A ESL Clear diffuse |
| IC/Non-IC | | Shower/Closet Lens Narrow Flange 6LD1 Drop opal plastic* 6LD2 Drop prismatic plastic* 6LF1 Flush opal plastic* 6LF2 Flush prismatic plastic* | Non-IC | 60 A19 | REAL6 D6AZ ESL Clear specular |
| Baffle Wide Flange 7B3 TOR Black 7B3W TOR White | 65 BR30 75 PAR30 | Glass Lens Narrow Flange 6LD3 Drop opal white splay 6LDB3 Drop opal black baffle 6LF3 Flush white white splay 6LFB3 Flush white black baffle 6L4 Fresnel white splay 6LB4 Fresnel black baffle | Non-IC | 75 A19 | REAL6 D6BN ESL Brushed nickel |
| IC/Non-IC | | Non-IC | | * For plastic flange add suffix PF | REAL6 D6BLZ ESL Black specular |
| Baffle Narrow Flange 7B5 Black 7B5W White | 120 BR40 150 PAR38 | Accent/Adjustable | | | |
| Non-IC | | Eyeball Wide Flange 7E1 TOR White 7E1BN TOR Brushed nickel 7E1ORB TOR Oil-rubbed bronze 7E1BZA TOR Antique bronze | IC/Non-IC | 65 BR30 75 PAR30 | REAL6 D6BZA ESL Antique bronze |
| IC/Non-IC | | NOTES: | | | |
| | | 1 Maximum wattage listed. Lower wattage lamps may be used. | | | |
| | | 2 Lens trims and WETlites™ are wet location listed. All others are damp location. | | | |
| | | 3 Shallow trims may be used for lower lamp position. See C & 7 Series Trims. | | | |
| | | 4 6 and C series trims also compatible options. | | | |

