



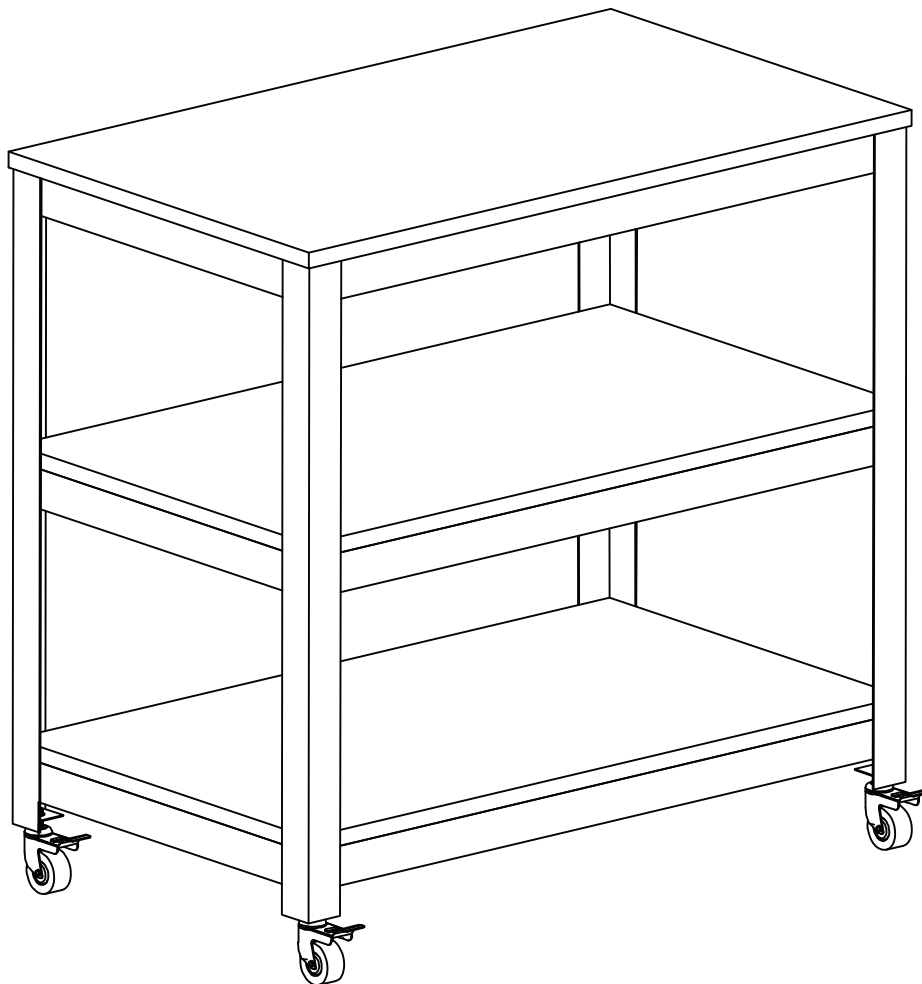
OneSpace™
OneSpace is a Trademark of Comfort Products, Inc.

ASSEMBLY INSTRUCTIONS

MODEL 50-JN16SHLF

SUPPLIER CODE: JNFF

LOFT COMPANION SHELF WITH STEEL FRAME, WOOD SURFACE



CUSTOMER SERVICE

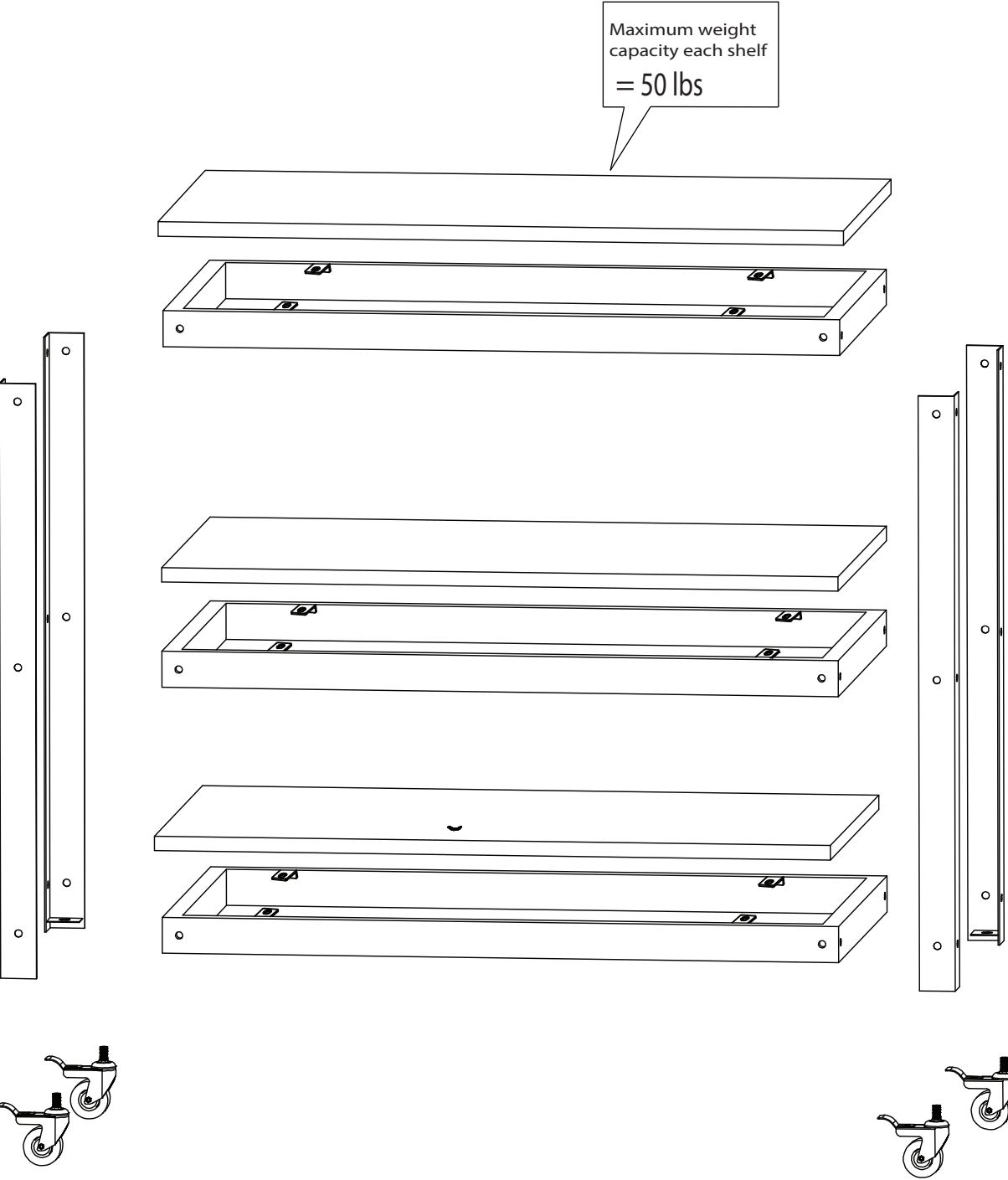
For fastest service on claims, requests for replacement parts, or questions, please visit our website at

www.comfortproducts.net/support
e-mail: customerservice@comfortproducts.net

Keep your sales receipt as documentation of your ownership.

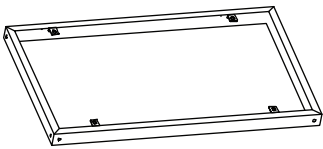
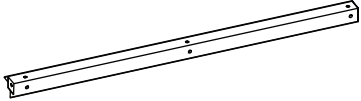
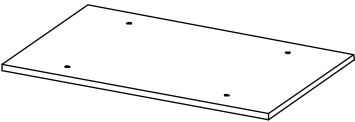
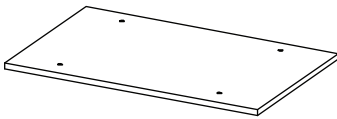

ASSEMBLY OVERVIEW

Maximum weight capacity each shelf = 50 lbs





PARTS AND HARDWARE LIST

EXTRA HARDWARE INCLUDED FOR YOUR CONVENIENCE. ITEMS ARE NOT SHOWN TO SCALE.

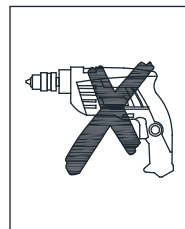
PART	DESCRIPTION	STOCK NO	QTY
1	Shelf Frame 	51-JN16SHLFA	3
2	Leg 	51-JN16SHLFB	4
3	Top Shelf 	51-JN16SHLFC	1
4	Lower Shelf 	51-JN16SHLFD	2
5	Caster 	51-JN16CA	4

HARDWARE KIT
STOCK # 51-JN16SHLFHA

PART	DESCRIPTION	QTY
A	M6X12MM 	36
B	Allen Wrench 	1
	Extra Hardware Pack	1

⚠ CAUTION

- READ THE INSTRUCTION MANUAL BEFORE ASSEMBLING.
- REMOVE ALL PIECES BEFORE BEGINNING INSTALLATION.
- OPEN THE HARDWARE AS NEEDED.
- ASSEMBLE IN AN AREA WITH PLENTY OF SPACE.
- READ EACH STEP BEFORE BEGINNING CONSTRUCTION.
- NEVER FORCE THE SCREWS OR FITTINGS.
- KEEP THIS MANUAL FOR FUTURE REFERENCE.
- TIGHTEN ALL THE SCREWS EVERY 6 MONTHS.
- DO NOT SHIFT OR DRAG THE PRODUCT AFTER ASSEMBLY.
- DO NOT USE A POWER DRILL.



CLEANING AND CARE

- CLEAN SURFACES WITH A DRY OR DAMP CLOTH.
- DO NOT USE ABRASIVE CLEANERS.

REPLACEMENT PARTS

IF YOU ARE MISSING ANY OF THE PARTS ABOVE, OR IF YOU HAVE A DAMAGED PART, PLEASE VISIT WWW.COMFORTPRODUCTS.NET/SUPPORT REFERENCE THE MODEL # ON THE FRONT OF THIS MANUAL. SIMPLY COMPLETE THE INFORMATION, INCLUDING THE PART YOU NEED. THE PART WILL NORMALLY BE SHIPPED WITHIN 48 HOURS.

ASSEMBLY INSTRUCTIONS

STEP 1

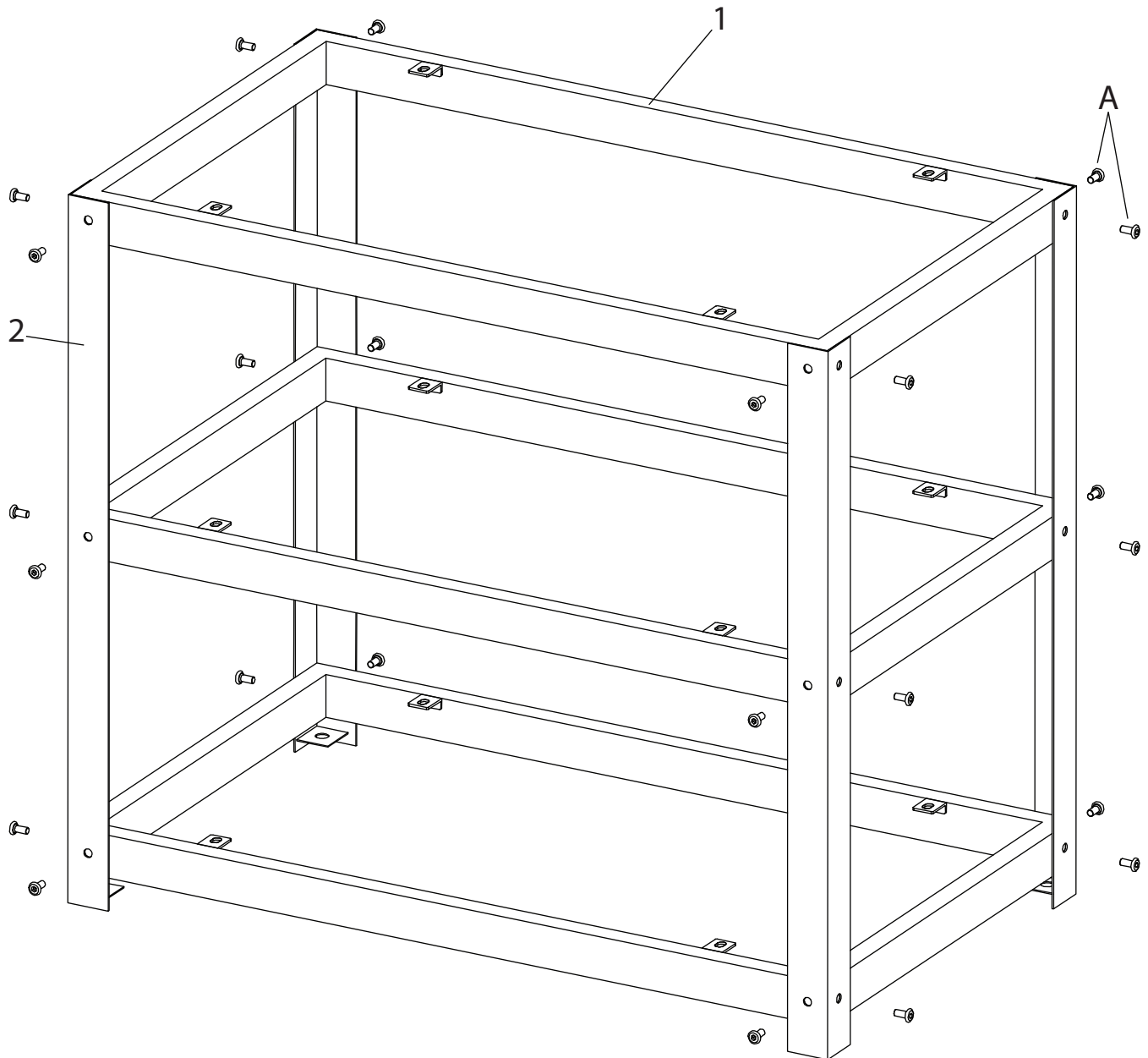
Attach the legs (2) to the shelf frames (1) using twenty-four screws (A).



A x 24



B



ASSEMBLY INSTRUCTIONS

STEP 3

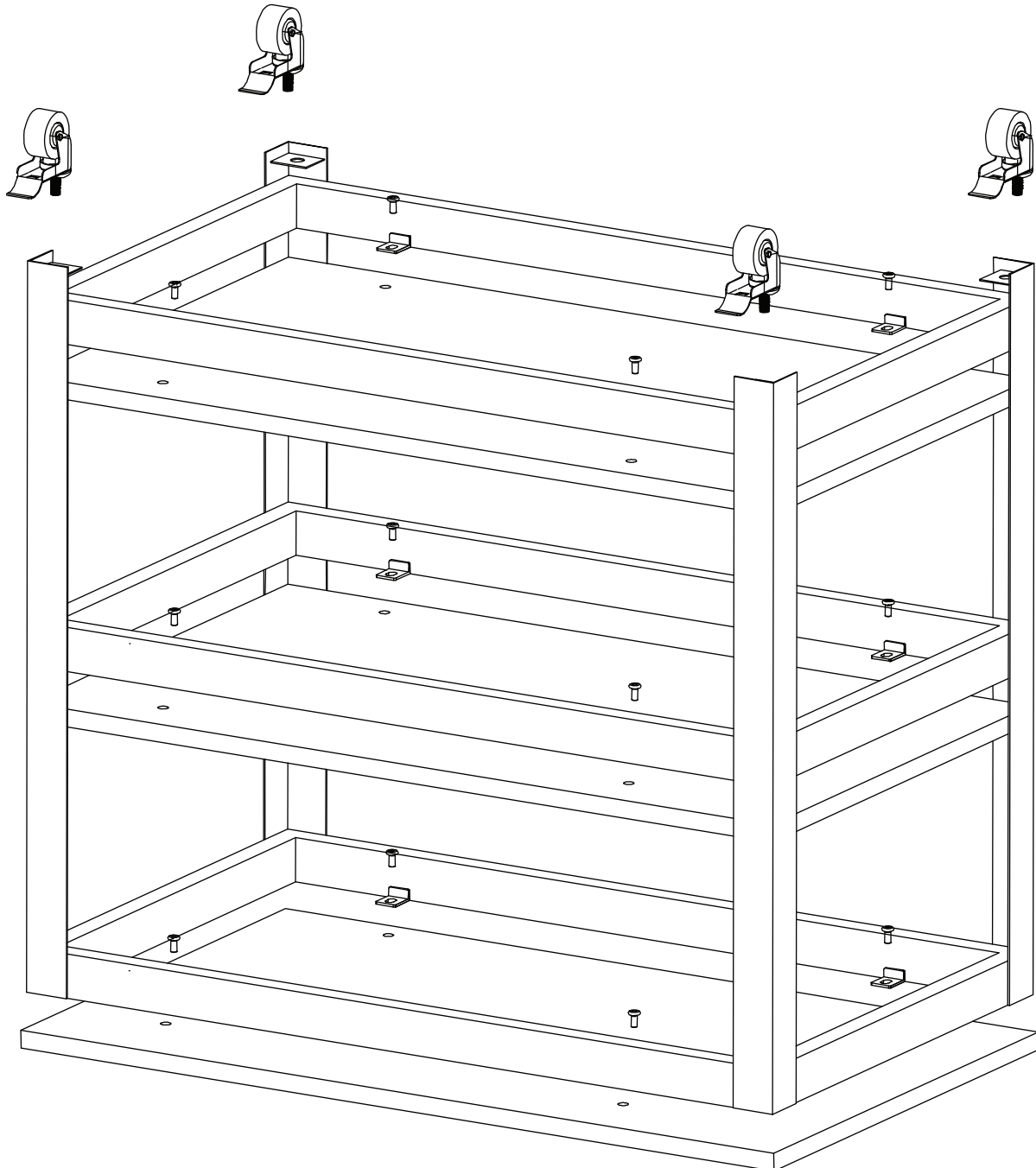
Attach the top shelf (3) and the lower shelves (4) using twelve screws (A). Screw a caster (5) into the bottom of each leg.



A x 12



B



SAFETY AND MAINTENANCE

- DO NOT stand on the desk. Do not use the desk as a stepladder.
- DO NOT use the desk unless all bolts and screws are firmly secured.
- Every 6 months, check all bolts and screws to ensure they are tight.

LIMITED WARRANTY

PLEASE VISIT WWW.COMFORTPRODUCTS.NET FOR WARRANTY INFORMATION

Comfort Products warrants this product to be free from defects in material and workmanship for one (1) year. This warranty is made by Comfort Products only to the original end-user customer acquiring the product directly from Comfort Products' authorized dealers as shown by the original sales receipt. The end-user customer remedy pursuant to this warranty is limited to repair or replacement of parts at Comfort Products' option within a reasonable amount of time. Comfort Products reserves the right to require damaged parts to be returned to Comfort Products upon request. Consent from Comfort Products must be obtained before any warranty work is performed. This warranty applies under conditions of normal use and is not subject to defects caused by improper assembly or disassembly; defects occurring after purchase due to product modification, intentional damage, fire, misuse, negligence, or exposure to the elements; labor or assembly cost. This warranty does not cover the cost of transportation or labor. In no event shall Comfort Products be liable in either tort or contract for any loss or direct, special, incidental, consequential or exemplary damages. This Limited Warranty is NOT applicable to end-user customers who use Comfort Products for rental purposes. This warranty applies only to end-user customers in the United States. All warranties are limited to the original purchaser for normal use. The weight capacity of the shelves is 50 pounds. For claims or questions concerning this warranty, please visit www.comfortproducts.net or email us at customerservice@comfortproducts.net

MODEL: 50-JN16SHLF

Comfort Products, Inc.
122 Gayoso Avenue, Suite 101
Memphis, TN 38103
Product made in China.
www.comfortproducts.net



OneSpace™

OneSpace is a Trademark of Comfort Products, Inc.